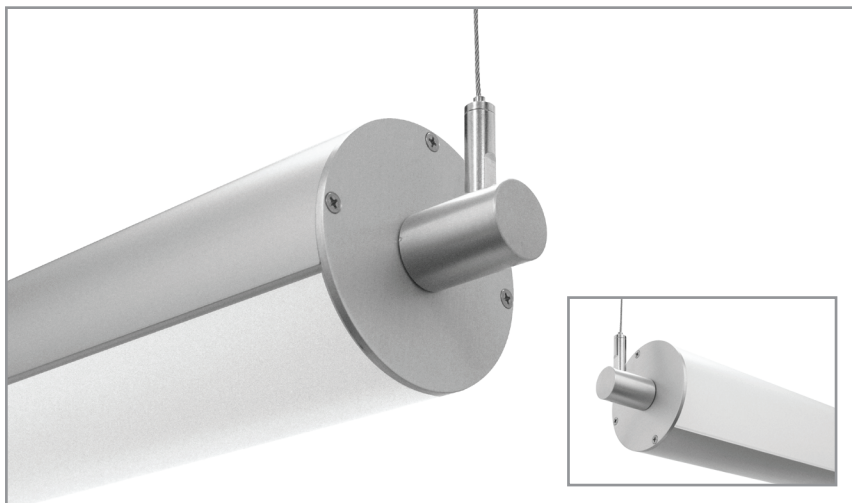


Project: \_\_\_\_\_ Type: \_\_\_\_\_



## FEATURES

Part of the Tubular series of LED luminaires, the BSS522 is an integrally driven, suspended linear LED luminaire for general lighting applications. Fitted to machined aluminum cable couplers, the Ø3-1/2" extruded aluminum fixture housing rotates 341° allowing the fixture to act as an up light, down light or wall washer. A frosted acrylic lens softly diffuses light from tightly spaced diodes.

## SPECIFICATIONS

Fixture constructed of an extruded aluminum housing, frosted acrylic extruded lens, sheet aluminum end caps and machine aluminum cable couplers.

Cable couplers allow housing rotation of 341°.

Standard finishes as shown below.

Available in nominal cable centers of 26"-92" for single fixtures and continuous runs.

Fixtures include coordinating (white, metal braided) 18 ga. power cable.

Standard integral 120-277V driver offered with 0-10V dimming or non-dim (other dimming driver options available).

Remote mounted emergency battery backup available (ordered separately, consult factory for details).

Standard outputs are 5W or 8W nominal per foot.

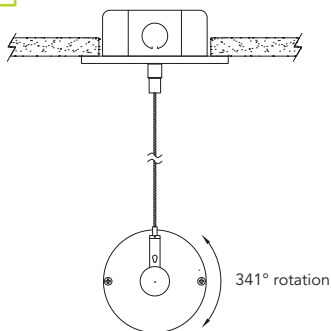
LEDs available in 2700K, 3000K, 3500K, 4000K, and 5000K, within a 3 step MacAdam ellipse, all with 90+ CRI typical.

Life: 50,000 hours L<sub>70</sub>.

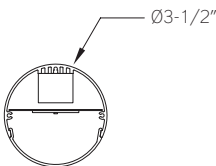
Limited five year warranty.

UL and C-UL listed for dry and damp locations.

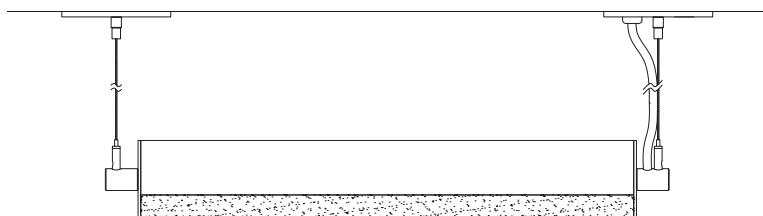
## PROFILE



## SECTION



## SIDE



## PERFORMANCE

\*Note: All data reflects fixtures with 3500K LEDs

NOMINAL LENGTH	WATTS/FT.	TOTAL WATTS	LUMINAIRE LUMENS	EFFICACY
45"	8.5	31.8	3544	111

## BSS522 -

### NOMINAL CABLE CENTER DISTANCE\*

- 26: 25-1/4"
- 37: 36-1/4"
- 48: 47-1/4"
- 59: 58-1/4"
- 70: 69-1/4"
- 81: 80-1/4"
- 92: 91-1/4"

### COLOR TEMPERATURE

- 27: 2700K-90+ CRI
- 30: 3000K-90+ CRI
- 35: 3500K-90+ CRI
- 40: 4000K-90+ CRI
- 50: 5000K-90+ CRI

### DRIVER

- ND: non-dimming
- [Dimming]**
- D: 0-10V, 1%
- DTR: triac, 1%
- DLV: electronic low voltage, 1%
- HES: Lutron EcoSystem, soft-on fade-to-black, 1%
- EL: eldoLED ECOdrive 0-10V, 1%
- ES: eldoLED SOLOdrive 0-10V, 0.1%
- ELD: eldoLED ECOdrive DALI, 1%
- ESD: eldoLED SOLOdrive DALI, 0.1%

### WATTS/FOOT

- 5: 5 W/ft.
- 8: 8.5 W/ft.
- CF: consult factory for custom wattage

### MOUNT

- C4: cable mount 4' cable length
- C8: cable mount 8' cable length
- CF: consult factory for custom mounting

### RUN CONFIGURATION

- SN: single
- ST: starter
- AD: adder
- TR: terminator

### FINISH

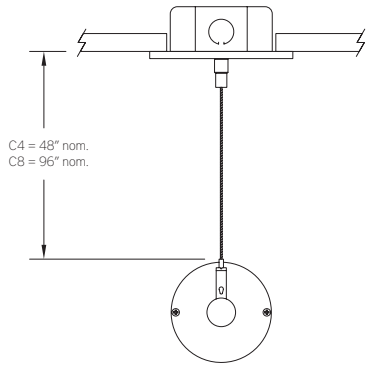
- AW: architectural white (semi-matte)
- WH: white (semi-gloss)
- BL: black (semi-matte)
- MB: matte black
- ESS: environmental satin silver
- BZ: bronze
- PR: primer
- CF: consult factory for custom finish
- SA: satin anodize (may require additional lead time)

\* Actual dimension dependent on run configuration.

MOUNTING

ORDERING CODE

DESCRIPTION



C4 and C8

CABLE MOUNT

Mounting option includes:

- Ø 1/16" x 48" (C4) or 96" (C8) aircraft cables
- 18 gauge x 60" (C4) or 108" (C8) power cable (in coordinating finish)
- Bracket bars
- Ø 5" white canopies
- Ceiling couplers
- Side exit cable grippers

## CABLE CENTER DIMENSIONS

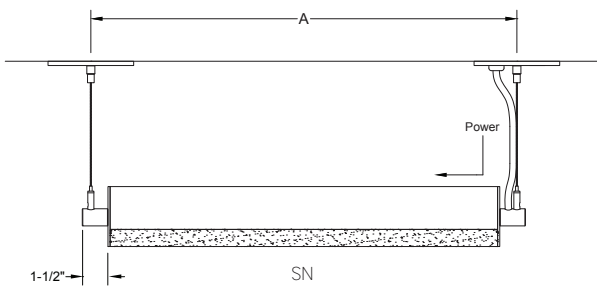
ORDERING CODE	LENGTH A	LENGTH B
26	25-1/4"	24-3/4"
37	36-1/4"	35-3/4"
48	47-1/4"	46-3/4"
59	58-1/4"	57-3/4"
70	69-1/4"	68-3/4"
81	80-1/4"	79-3/4"
92	91-1/4"	90-3/4"

## RUN CONFIGURATION INFORMATION

ORDERING CODE	DESCRIPTION
SN	Single
ST	Starter
AD	Adder
TR	Terminator

## RUN INFORMATION

Side View - Single Fixture Option



Side View - Continuous Option

