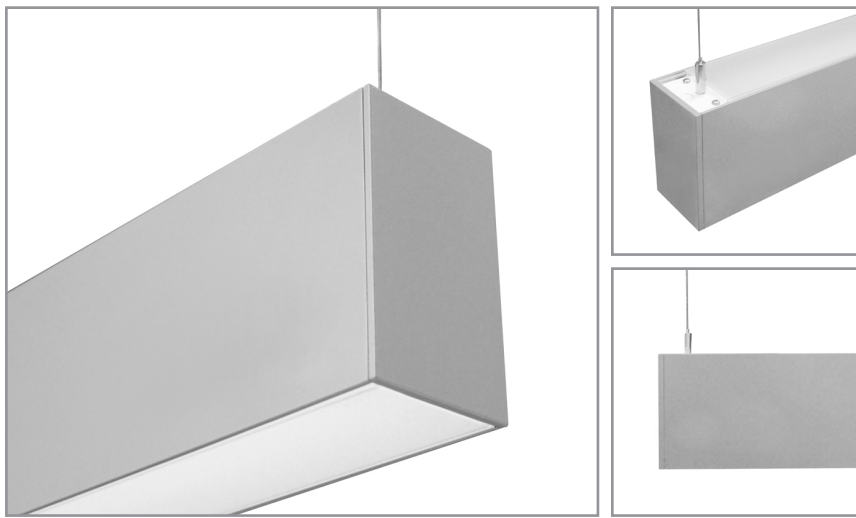


BSS260 | **bodhi**

3-1/4" wide direct/indirect LED luminaire

Project: _____ Type: _____



FEATURES

The Bodhi series BSS260 is a rectilinear direct/indirect LED luminaire for general lighting applications. The 3-1/4" wide by 5-1/2" high extruded aluminum housing is offered for wall or cable suspended mounting. The two LED sources can be configured independently for both switching and lumen output. The BSS260 is Controls Capable, being offered with a variety of integrated control options.

SPECIFICATIONS

Fixture constructed of extruded aluminum, frosted extruded acrylic lenses and machined aluminum end caps.

Model variations offered for wall mount and cable suspended applications.

Standard finishes as shown below.

Available in nominal lengths of 2'-8' single fixtures and continuous runs.

Basic continuous run fixtures provided with 18 ga. wiring harness for 6 Amp maximum load (consult factory for runs requiring sensor integration, etc.).

Standard integral 120-277V driver offered with 0-10V dimming or non-dim (other dimming driver options available).

Remote mounted emergency battery backup available (ordered separately, consult factory for details).

Standard outputs are 5W and 8W nominal per foot.

LEDs available in 3000K, 3500K, 4000K, 5000K, all with a typical 84-85 CRI and color consistency within a 3 step MacAdam ellipse.

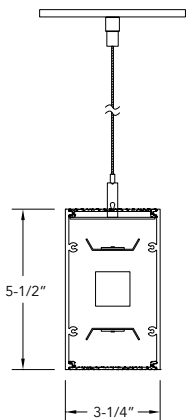
Life: 50,000 hours L₇₀.

Bartco Lighting Controls Capable fixture available with integrated controls from a variety of suppliers.

Limited five year warranty.

UL and C-UL listed for dry and damp locations.

SECTION



PERFORMANCE

Note: All data reflects fixtures with 3000K LEDs

NOMINAL LENGTH	WATTS/ft.	TOTAL WATTS	LUMINAIRE LUMENS	EFFICACY
45"	16.6 (2X8.3)	61.8	6082	98



BSS260 -

NOMINAL FIXTURE LENGTH*	CORRELATED COLOR TEMPERATURE	DRIVER	INDIRECT WATTS/FOOT	MOUNT	OPTIONS	FINISH
2: 22-5/8"	30: 3000K-84 CRI	ND: non-dimming [Dimming]	5: 5 W/ft.	C4: cable mount 4' cable length	WS1A: Wattstopper FS-205, 100%-0% ‡	AW: architectural white (semi-matte)
3: 33-5/8"	35: 3500K-85 CRI	D: 0-10V, 1%	8: 8.3 W/ft.	C8: cable mount 8' cable length	WS1B: Wattstopper FS-205, 100%-50% ‡	WH: white (semi-gloss)
4: 44-5/8"	40: 4000K-85 CRI	DTR: triac, 1%, (120V ONLY)	CF: consult factory for custom output	WM: wall mount	EN1: Enlighted FS-D22 ‡	BL: black (semi-matte)
5: 55-5/8"	50: 5000K-85 CRI	DLV: electronic low voltage, 1%, (120V ONLY)		CF: consult factory for custom mounting	ES4: Philips EasySense SNS211 MC ‡	MB: matte black
6: 66-5/8"		HES: Lutron Eco-System, soft-on/fade-to-black, 1%			CA1: Casambi CBU-A2D ‡	ESS: environmental satin silver
7: 77-5/8"		EL: eldoLED ECO-drive 0-10V, 1%			NL1: nLight RES ‡	BZ: bronze
8: 88-5/8"		ES: eldoLED SOLOdrive 0-10V, 0.1%			NL2: nLight RIO ‡	PR: primer
		ELD: eldoLED ECOdrive DALI, 1%			LA1: Lutron Athena A-WN-D01-RF-WH ‡	CF: consult factory for custom finish
		ESD: eldoLED SOLOdrive DALI, 0.1%			LA2: Lutron Athena A-WN-D01-OCC-WH ‡	SA: satin anodize (may require additional lead time)

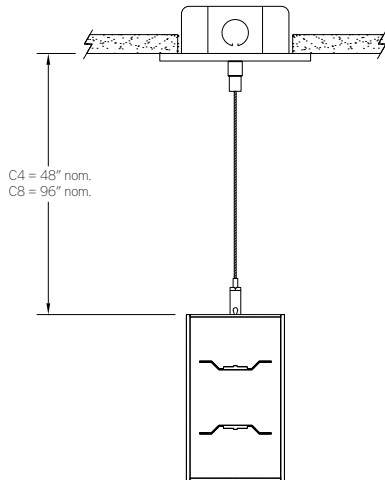
* Actual dimension dependent on run configuration.

‡ See Integrated Controls section for driver compatibility information.

MOUNTING

ORDERING CODE

DESCRIPTION

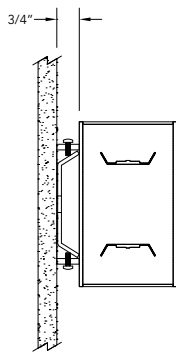


C4 and C8

CABLE MOUNT

Mounting option includes:

- Ø 1/16" x 48" (C4) or 96" (C8) aircraft cables
- 18 gauge x 60" (C4) or 108" (C8) SJT power cable (in coordinating finish)
- Bracket bars
- Ø 5" white canopies
- Ceiling couplers
- Side exit cable grippers



WM

WALL MOUNT


Mounting option includes:

- Use appropriate fasteners through Ø3/16" holes in heavy gauge mounting bracket.
- 4" H x 4" W aluminum trim collar projects the fixture housing 3/4" from the wall surface.
- Set screws

OPTIONS - INTEGRATED CONTROLS

Note: Control option takes up 4" of the overall lens length.
Controls are mounted to flush filler piece on the direct side.



	ORDERING CODE	LIGHT OUTPUT SETTING	MODEL	CONTROL PROTOCOL	FUNCTIONS	COMPATIBLE DRIVERS
 WATTSTOPPER®	WS1A	100% – 0% ¹	FS-205	N/A	PIR occupancy and light level sensor.	For use with on/off or 0-10V dimming drivers only.
	WS1B	100% – 50% ¹				
	EN1	Set during commissioning	FS-D22	Bluetooth Wireless	PIR occupancy, ambient light sensing, daylight harvesting, and environment monitoring for use within an Enlighted control network.	Provided with Advance sensor ready series 0-10V dimming drivers.
 EasySense	ES4	Set during commissioning	SNS211 MC	Bluetooth Wireless	Occupancy, daylight harvesting and task tuning sensor with advance grouping, for use within a MasterConnect network.	Provided with Advance sensor ready series 0-10V dimming drivers.
	CA1	Set during commissioning	CBU-A2D	Bluetooth Wireless	0-10V/DALI driver controller, for use within a Casambi ecosystem.	For use with 0-10V or DALI drivers. Consult factory for details.
	NL1	Set during commissioning	RES7 ²	Radio Wireless	Dimming, PIR occupancy detection and daylight harvesting, for use within an nLight AIR network.	Provided with Advance sensor ready series or eldoLED 0-10V drivers.
	NL2		RIO ²		Dimming, for use within an nLight AIR network.	
	LA1	Set during commissioning	A-WN-D01-RF-WH	Radio Wireless	Dimming only for use with an Athena control system.	Provided with Advance sensor ready series or eldoLED 0-10V or eldoLED DALI-2 drivers.
	LA2		A-WN-D01-OCC-WH		Dimming, PIR occupancy and daylight sensor for use with an Athena control system.	

1. Consult factory for custom light output setting.
2. Consult your Acuity representative for application-specific model number.

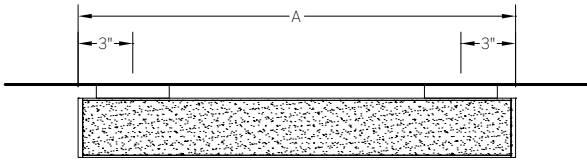
LENGTH / MOUNTING DIMENSIONS | **RUN CONFIGURATION INFORMATION**

ORDERING CODE	LENGTH A	LENGTH B	LENGTH C	LENGTH D	LENGTH E
2	22-5/8"	22-3/8"	22-1/8"	21-1/8"	21-5/8"
3	33-5/8"	33-3/8"	33-1/8"	32-1/8"	32-5/8"
4	44-5/8"	44-3/8"	44-1/8"	43-1/8"	43-5/8"
5	55-5/8"	55-3/8"	55-1/8"	54-1/8"	54-5/8"
6	66-5/8"	66-3/8"	66-1/8"	65-1/8"	65-5/8"
7	77-5/8"	77-3/8"	77-1/8"	76-1/8"	76-5/8"
8	88-5/8"	88-3/8"	88-1/8"	87-1/8"	87-5/8"

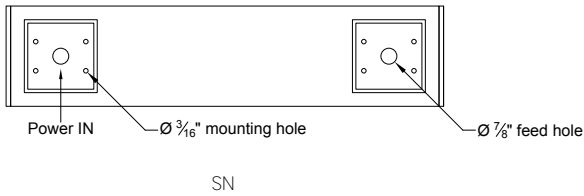
ORDERING CODE	DESCRIPTION
SN	Single
ST	Starter
AD	Adder
TR	Terminator

RUN INFORMATION

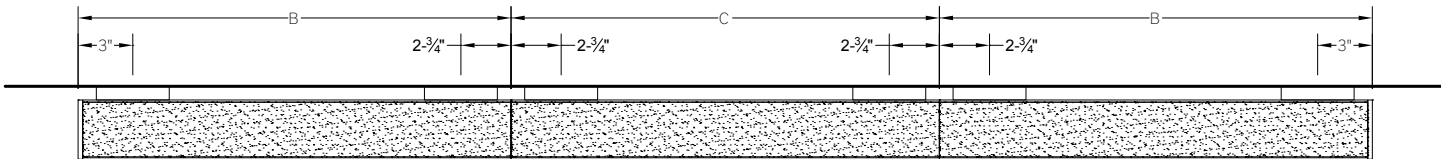
Plan - Wall Mount Single Fixture Option



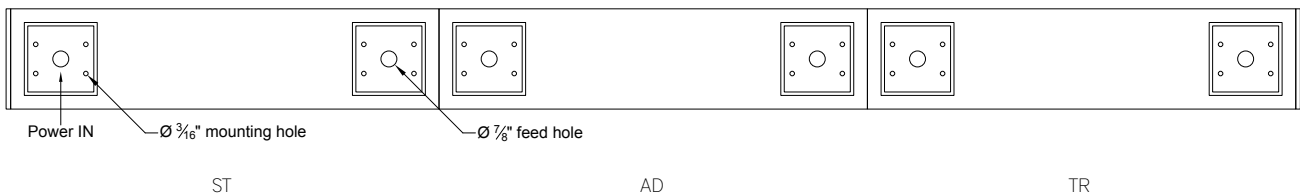
Rear View - Wall Mount Single Fixture Option



Plan - Wall Mount Continuous Run Option



Rear View - Wall Mount Continuous Run Option

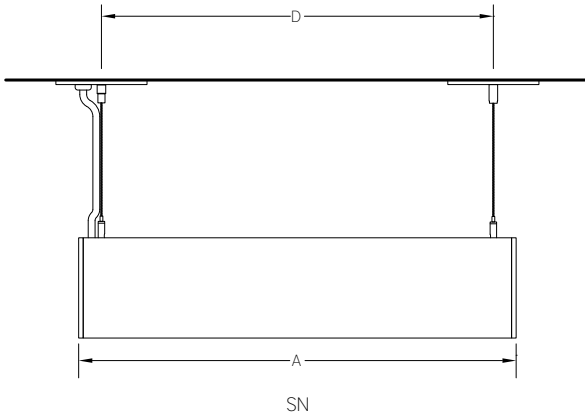


BSS260 | **bodhi**

3-1/4" wide direct/indirect LED luminaire

RUN INFORMATION

Side View - Cable Suspended Single Fixture



Side View - Cable Suspended Continuous Run Option

