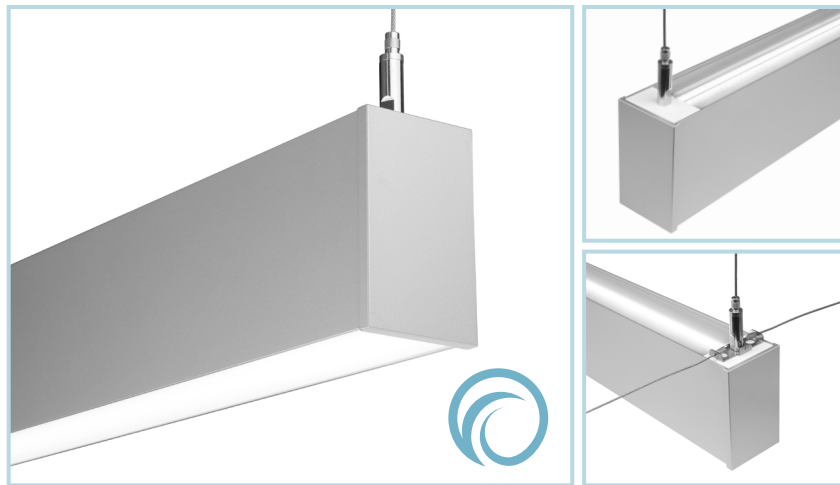


Project: _____ Type: _____



FEATURES

The BSW255 is a linear LED luminaire for outdoor applications. The cable or wall mount 2" wide by 3-1/2" tall aluminum extrusion is fitted with a flush, acrylic lens and machined aluminum end caps. Each fixture is paired with a remote mounted wet location 0-10V dimming or non-dimming driver and housing.

SPECIFICATIONS

Fixture constructed of an extruded aluminum housing, extruded acrylic lenses and machined aluminum end caps.

Direct orientation optic is an extruded acrylic flush lens.

Indirect optic options include Lambertian and batwing distribution lenses.

Standard finishes as shown below.

Available for wall or cable mounting in nominal lengths of 2'-8' single fixtures and continuous runs.

Fixtures wired with 10' low voltage leads.

Included remote 120-277V wet location driver offered with 0-10V dimming or non-dim and surface mount aluminum enclosure.

Standard outputs are 520 lumens per foot for the direct source and 670 or 675 for the indirect source, depending on optic option.

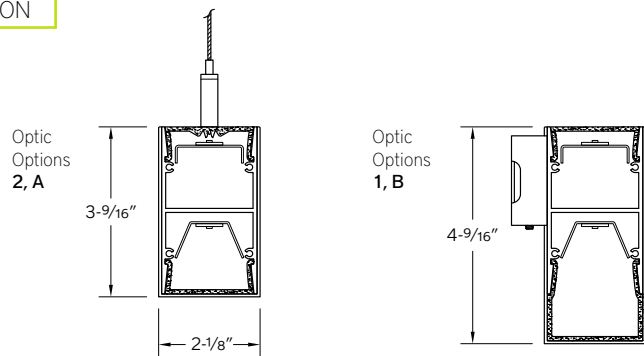
LEDs available in 2700K, 3000K, 3500K and 4000K, within a 3 step MacAdam ellipse, all with 90+ CRI typical.

Life: 50,000 hours L₇₀.

Limited five year warranty.

UL and C-UL listed for wet locations.

SECTION



PERFORMANCE

Note: All data reflects fixture with 3500K LEDs.

NOMINAL LENGTH	OPTIC OPTION	OUTPUT	LUMENS/ft.	WATTS/ft.	LUMINAIRE LUMENS	EFFICACY (LPW)
4'	1 - LAMBERTIAN DISTRIBUTION	R: regular	670	5.5	2706	122
	2 - BATWING DISTRIBUTION	R: regular	675	5.5	2738	123
	A - FLUSH LENS	R: regular	520	5.7	2109	91



BSW255 -

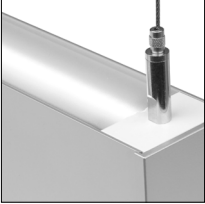

NOMINAL FIXTURE LENGTH* 2: 24-5/8" 3: 36-5/8" 4: 48-5/8" 5: 60-5/8" 6: 72-5/8" 7: 84-5/8" 8: 96-5/8"	CORRELATED COLOR TEMPERATURE 27: 2700K-90+ CRI 30: 3000K-90+ CRI 35: 3500K-90+ CRI 40: 4000K-90+ CRI	CIRCUIT 1: single circuit 2: two circuit REMOTE DRIVER RN: non-dimming [Dimming] RD: 0-10V, 5%	DIRECT LIGHT OUTPUT (lumens per foot w/optic option A) R: regular - 520 INDIRECT LIGHT OUTPUT (lumens per foot w/optic option 1) R: regular - 670	DIRECT OPTIC A: flush lens B: drop lens - solid end INDIRECT OPTIC 1: Lambertian distribution 2: batwing distribution (C4, C8 mount only)	MOUNT WM: wall mount C4: cable mount 4' cable length C8: cable mount 8' cable length RUN CONFIGURATION SN: single ST: starter AD: adder TR: terminator	FINISH AW: architectural white (semi-matte) WH: white (semi-gloss) BL: black (semi-matte) MB: matte black ESS: environmental satin silver BZ: bronze PR: primer CF: consult factory for custom finish
--	---	---	--	---	--	--

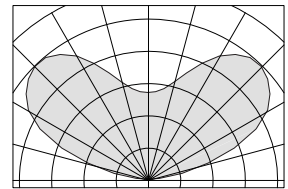
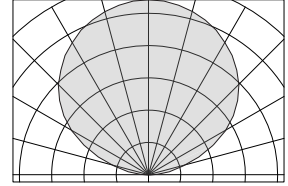
* Actual dimension dependent on run configuration.

BSW255 | FATHOM


2" wide direct/indirect LED luminaire, outdoor locations

INDIRECT OPTIC

ORDERING CODE	DESCRIPTION	SPECIFICATIONS
	1 LAMBERTIAN DISTRIBUTION	Lightly frosted acrylic extrusion for Lambertian distribution.
	2 BATWING DISTRIBUTION	Clear acrylic extrusion with wide distribution optic features. For C4/C8 mount only.



DIRECT OPTIC

ORDERING CODE	DESCRIPTION	SPECIFICATIONS
	A FLUSH LENS	Flush frosted acrylic extrusion.
B	DROP LENS – SOLID END	1" H frosted acrylic extrusion with full height machined aluminum end cap.

MOUNTING

	ORDERING CODE	DESCRIPTION	SPECIFICATIONS
	WM	WALL MOUNT	<ul style="list-style-type: none"> • Fixture provided with 1-7/8" H x 4-1/2" W sheet aluminum brackets that project the fixture housing 3/4" from the wall surface. • 10' low voltage leads exit out the side through a mounting bracket. • Bracket finish matches fixture finish.
	C4 C8	CABLE MOUNT	<ul style="list-style-type: none"> • Fixture provided with $\varnothing 1/16"$ x 48" (C4) or 96" (C8) stainless steel aircraft cables. • Fixture wired with 60" (C4) or 108" (C8) power cable in coordinating finish. • Includes wet rated, side exit cable grippers. • Included hardware can be used to loop and clamp cable around support members. <p>OTHER MOUNTING COMPONENTS, JUNCTION BOXES, ETC. PROVIDED BY OTHERS.</p> <p>WHEN DUAL CIRCUIT OPTION IS USED, TWO POWER CABLES ARE REQUIRED.</p> <p>FOR ADDITIONAL HANGING STABILITY, AN ACCESSORY SUPPLEMENTAL CABLE SUPPORT KIT IS AVAILABLE AND ORDERED SEPARATELY.</p> <p>MOUNTING CONDITIONS CAN VARY GREATLY. INSTALLER RESPONSIBLE FOR MOUNTING FIXTURE SECURELY IN ACCORDANCE WITH APPLICABLE CODES.</p>

ACCESSORIES

NOTE: Accessories ordered separately.

	ORDERING CODE	DESCRIPTION	SPECIFICATIONS
	SCK-8	SUPPLEMENTAL CABLE SUPPORT KIT, 8'	<ul style="list-style-type: none"> • Each kit includes $\varnothing 1/16"$ x 96" stainless steel aircraft cable, and wet location side exit cable gripper (requires 1/4-20 threaded anchor by others). • All fixtures manufactured with stainless bracket for attaching up to three additional $\varnothing 1/16"$ aircraft cables. • Consult factory for additional cable length options. <p>MOUNTING CONDITIONS CAN VARY GREATLY. INSTALLER RESPONSIBLE FOR MOUNTING FIXTURE SECURELY IN ACCORDANCE WITH APPLICABLE CODES.</p>

EPA CALCULATIONS

EFFECTIVE PROJECTED AREA	LENGTH ORDER CODE	EPA	LENGTH ORDER CODE	EPA
	2	0.60 ft ²	6	1.77 ft ²
	3	0.90 ft ²	7	2.07 ft ²
	4	1.18 ft ²	8	2.35 ft ²
	5	1.47 ft ²		

LENGTH/MOUNT DIMENSIONS

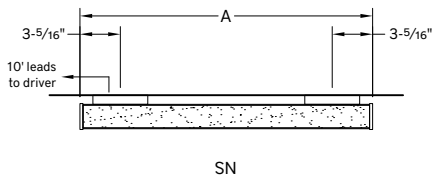
ORDERING CODE	LENGTH A	LENGTH B	LENGTH C
2	24-5/8"	24-5/16"	24"
3	36-5/8"	36-5/16"	36"
4	48-5/8"	48-5/16"	48"
5	60-5/8"	60-5/16"	60"
6	72-5/8"	72-5/16"	72"
7	84-5/8"	84-5/16"	84"
8	96-5/8"	96-5/16"	96"

RUN CONFIGURATION INFORMATION

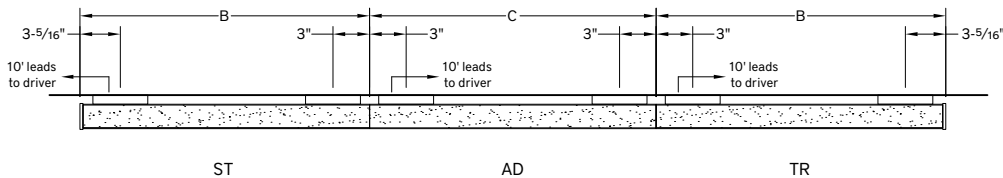
ORDERING CODE	DESCRIPTION
SN	Single
ST	Starter
AD	Adder
TR	Terminator

RUN INFORMATION

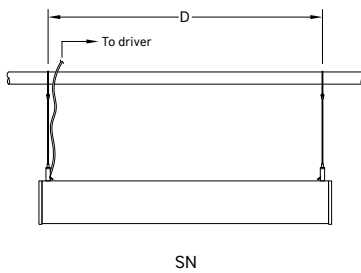
Plan View - Wall Mount Single Fixture



Plan View - Wall Mount Continuous Run



Side View - Cable Suspended Single Fixture



Side View - Cable Suspended Continuous Run

