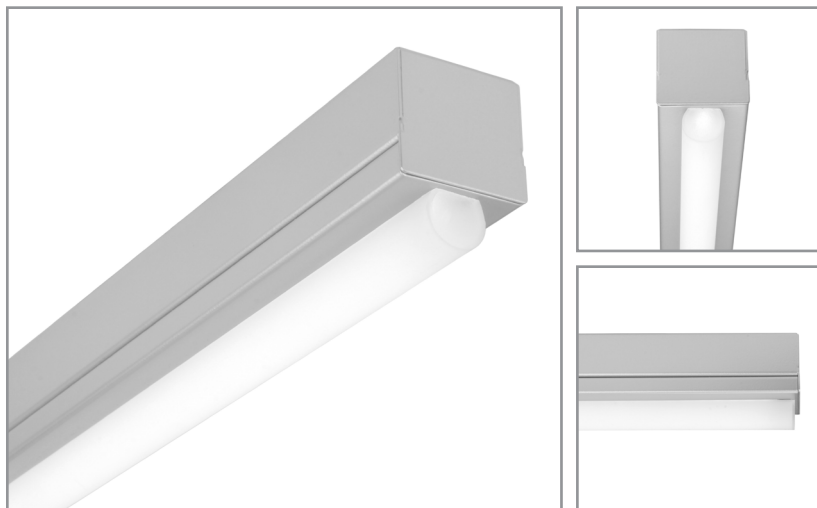


Project: \_\_\_\_\_ Type: \_\_\_\_\_



### FEATURES

The BC8605 fixture has a familiar appearance, mimicking our iconic, clean bodied linear strips. The heavy gauge, 1-5/8" wide by 1-9/16" tall sheet formed housing is topped with a diffuse acrylic tubular lens, that recalls the form of a linear fluorescent lamp. Multiple driver and LED color/output options broaden application versatility.

### SPECIFICATIONS

Housing is formed and welded, 20 ga. steel, chemically treated to resist corrosion and enhance paint adhesion

Tubular lens is Ø 3/4" extruded frosted acrylic with matching end caps

Model variations offered for surface mount and cable suspended applications

Standard finishes as shown below

Available as single fixtures in nominal lengths of 2'-8'

Surface mount models include knock outs on the rear and surface or suspended models are available with optional end knock outs.

Standard integral 120-277V driver offered with 0-10V dimming or non-dim (other dimming driver options available)

Integral 120-277V emergency battery backup available for 45" and 89" non-dim or 0-10V (consult factory for all other lengths/drivers)

Standard light outputs are 550 or 750 lumens per foot

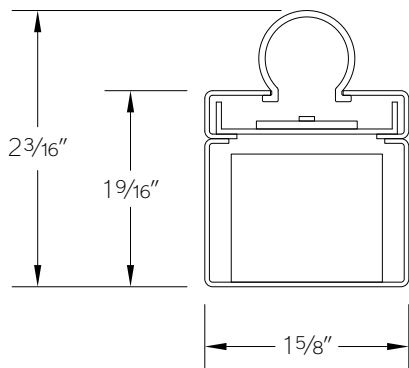
LEDs available in 2700K, 3000K, 3500K, and 4000K, within a 3 step MacAdam ellipse, all with 90+ CRI typical

Life: 50,000 hours L<sub>70</sub>

Limited five year warranty

UL and C-UL listed for dry and damp locations

### SECTIONS



### PERFORMANCE

NOMINAL LENGTH	OUTPUT	LUMENS/ft.	WATTS/ft.	LUMINAIRE LUMENS	EFFICACY (LPW)
4'	L: low	550	5.3	2069	104
	R: regular	750	7.5	2816	101

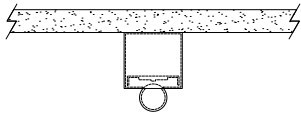
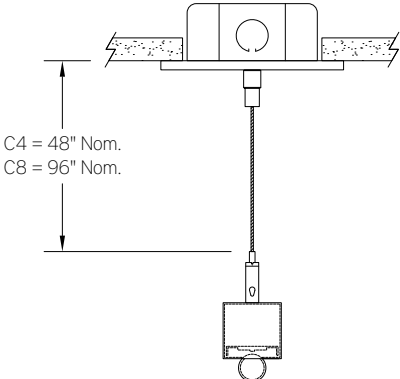
Note: All data reflects fixtures with 3000K LEDs



### BC8605 -

FIXTURE LENGTH	CORRELATED COLOR TEMPERATURE	DRIVER	LIGHT OUTPUT (lumens per foot)	MOUNT	OPTIONS	FINISH
23: 23" 34: 34" 45: 45" 56: 56" 67: 67" 78: 78" 89: 89"	27: 2700K-90+ CRI 30: 3000K-90+ CRI 35: 3500K-90+ CRI 40: 4000K-90+ CRI	ND: non-dimming [Dimming] D: 0-10V, 1% DTR: triac, 1%, (120V ONLY) DLV: electronic low voltage, 1%, (120V ONLY) HES: Lutron EcoSystem, soft-on/fade-to-black, 1% EL: eldoLED ECOdrive 0-10V, 1% ES: eldoLED SOLOdrive 0-10V, 0.1% ELD: eldoLED ECOdrive DALI, 1% ESD: eldoLED SOLOdrive DALI, 0.1%	L: low - 550 R: regular - 750 CF: consult factory for custom output	SM: surface mount C4: cable mount 4' cable length C8: cable mount 8' cable length CF: consult factory for custom mounting	EK: add end knock-outs ED: emergency driver (45" or 89" non-dim or 0-10V only)	AW: architectural white (semi-matte) WH: white (semi-gloss) BL: black (semi-matte) MB: matte black ESS: environmental satin silver BZ: bronze PR: primer CF: consult factory for custom finish

MOUNTING

	ORDERING CODE	DESCRIPTION
	SM	<p>SURFACE MOUNT</p> <p>Use appropriate fastener through Ø 3/16" holes in housing</p>
	C4 and C8	<p>CABLE MOUNT</p> <p>Mounting option includes:</p> <ul style="list-style-type: none"> <li>• Ø 1/16"x 48" (C4) or 96" (C8) aircraft cables</li> <li>• 60" (C4) or 108" (C8) power cable (in coordinating finish)</li> <li>• Bracket bars</li> <li>• Ø 5" white canopies</li> <li>• Ceiling couplers</li> <li>• Side exit cable grippers</li> </ul>

OPTIONS

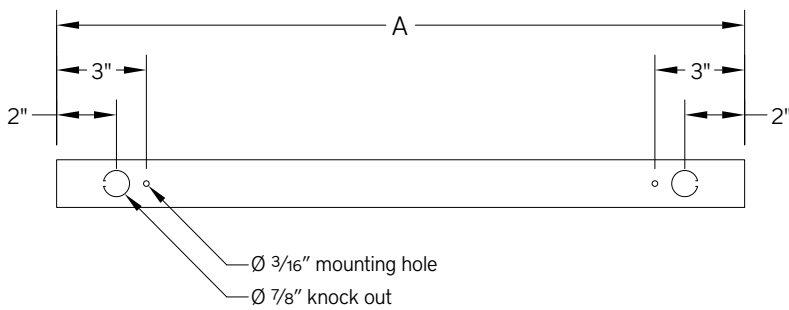
ORDERING CODE	DESCRIPTION	SPECIFICATIONS
EK	ADD END KNOCK OUTS	Ø7/8" knock outs added at both fixture ends
ED	EMERGENCY LED DRIVER	<ul style="list-style-type: none"> <li>• Universal 120-277V input voltage emergency driver delivers initial minimum power of 10W for 90 minutes</li> <li>• Available for 45" and 89" length non-dim or 0-10V fixture only (consult factory for all other lengths/drivers)</li> </ul>

## LENGTH / MOUNTING DIMENSIONS

ORDERING CODE	LENGTH A	LENGTH B
23	23"	17"
34	34"	28"
45	45"	39"
56	56"	50"
67	67"	61"
78	78"	72"
89	89"	83"

## RUN INFORMATION

Back Plan – Surface Mount Option



Side View – Cable Mount Option

