

BSS721 | mullion

2-1/4" tall mullion mount asymmetric indirect LED luminaire

Project: _____ Type: _____



FEATURES

The BSS721 is a linear LED luminaire with asymmetric optics for mullion or wall mount indirect applications. The 2-1/4" square extruded aluminum housing contains a multi-piece reflector system and acrylic lens. A wide variety of driver options, light output and color temperatures are available, to maximize versatility.

SPECIFICATIONS

Fixture constructed of an extruded aluminum housing, extruded acrylic lens and machined aluminum end caps

Fixture configured with brackets for mounting to mullions or other vertical surfaces

Fixture features a multi-piece asymmetric reflector system and acrylic lens for indirect applications

Standard finishes as shown below

Available in nominal lengths of 2'-8' single fixtures and continuous runs

Basic continuous run fixtures provided with 18 ga. wiring harness for 6 Amp maximum load (consult factory for runs requiring multiple circuits, etc.)

Standard integral 120-277V driver offered with 0-10V dimming or non-dim (other dimming driver options available)

Integral 120-277V emergency battery backup available for 4' nominal non-dim or 0-10V (consult factory for all other lengths/drivers)

Standard light outputs are 630, 850 or 1290 lumens per foot

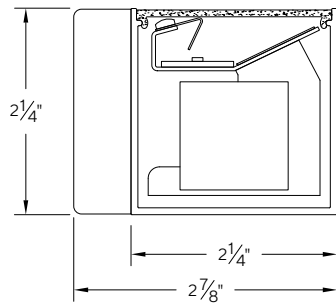
LEDs available in 2700K, 3000K, 3500K, and 4000K, within a 3 step MacAdam ellipse, all with 90+ CRI typical

Life: 50,000 hours L₇₀

Limited five year warranty

UL and C-UL listed for dry and damp locations

SECTION



PERFORMANCE

Note: All data reflects fixtures with 3500K LEDs

NOMINAL LENGTH	FIXTURE ORIENTATION	OUTPUT	LUMENS/ft.	WATTS/ft.	LUMINAIRE LUMENS	EFFICACY (LPW)
45"	Indirect	L: low	630	5.5	2336	114
		R: regular	850	7.7	3166	111
		H: high	1290	12.5	4806	103



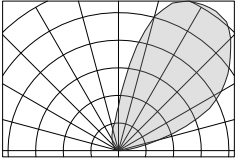
BSS721 -

NOMINAL FIXTURE LENGTH* 23: 22-5/8" 34: 33-5/8" 45: 44-5/8" 56: 55-5/8" 67: 66-5/8" 78: 77-5/8" 89: 88-5/8" RUN ‡	CORRELATED COLOR TEMPERATURE 27: 2700K-90+ CRI 30: 3000K-90+ CRI 35: 3500K-90+ CRI 40: 4000K-90+ CRI	DRIVER ND: non-dimming [Dimming] D: 0-10V, 1% DTR: triac, 1% DLV: electronic low voltage, 1% HES: Lutron Eco-System, soft-on fade-to-black, 1% EL: eldoLED ECOdrive 0-10V, 1% ES: eldoLED SOLOdrive 0-10V, 0.1% ELD: eldoLED ECOdrive DALI, 1% ESD: eldoLED SOLOdrive DALI, 0.1%	LIGHT OUTPUT (lumens per foot) L: low – 630 R: regular – 850 H: high – 1290 CF: consult factory for custom output	MOUNT WI: wall mount – indirect OPTIC 1: asymmetric	RUN CONFIGURATION SN: single ST: starter AD: adder TR: terminator OPTIONS ED: emergency driver (4' non-dim or 0-10V only)	FINISH AW: architectural white (semi-matte) WH: white (semi-gloss) BL: black (semi-matte) MB: matte black ESS: environmental satin silver BZ: bronze PR: primer CF: consult factory for custom finish SA: satin anodize (may require additional lead time)
--	---	--	--	--	---	--

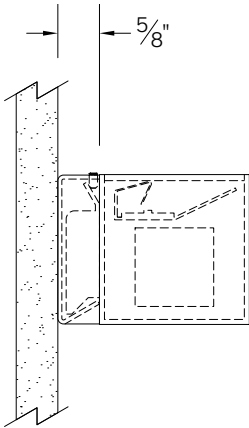
* Actual dimension dependent on run configuration.

‡ Specify run length to the nearest one foot. Factory will configure using the least quantity of fixtures as close to the desired run length as possible without exceeding the length. Run to be confirmed with a shop drawing.


OPTIC

	ORDERING CODE	DESCRIPTION	SPECIFICATIONS
	1	ASYMMETRIC OPTIC	Multi-part asymmetric reflector system and extruded acrylic lens

MOUNTING

	ORDERING CODE	DESCRIPTION
	WI	<p>WALL/MULLION MOUNT – INDIRECT ORIENTATION</p> <p>Mounting option includes:</p> <ul style="list-style-type: none"> • 2-1/4" H x 4-3/4" W bracket projects the fixture housing 5/8" from the mounting surface • Bracket finish matches fixture finish, or ESS for satin anodize (SA) housing

OPTIONS

	ORDERING CODE	DESCRIPTION	SPECIFICATIONS
	ED	EMERGENCY LED DRIVER	<ul style="list-style-type: none"> • Universal 120-277V input voltage emergency driver delivers initial minimum power of 10W for 90 minutes • Available for 4' nominal length non-dim or 0-10V fixture only (consult factory for all other lengths/drivers) • Provided with combination test switch/indicator light for remote mount installation

LENGTH/MOUNTING DIMENSIONS

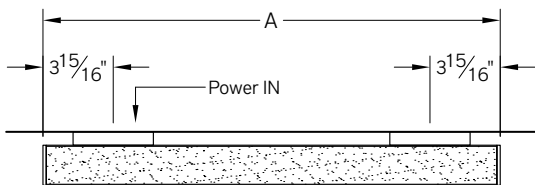
ORDERING CODE	LENGTH A	LENGTH B	LENGTH C
23	22-5/8"	22-7/16"	22-1/4"
34	33-5/8"	33-7/16"	33-1/4"
45	44-5/8"	44-7/16"	44-1/4"
56	55-5/8"	55-7/16"	55-1/4"
67	66-5/8"	66-7/16"	66-1/4"
78	77-5/8"	77-7/16"	77-1/4"
89	88-5/8"	88-7/16"	88-1/4"

RUN CONFIGURATION INFORMATION

ORDERING CODE	DESCRIPTION
SN	Single
ST	Starter
AD	Adder
TR	Terminator

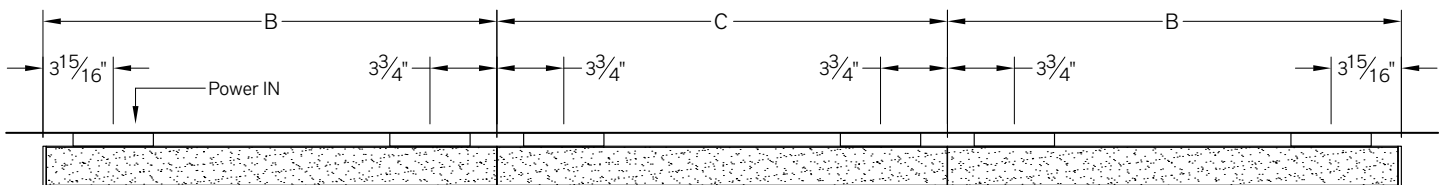
RUN INFORMATION

Plan - Wall Mount Single Fixture



SN

Plan - Wall Mount Continuous Run



ST

AD

TR