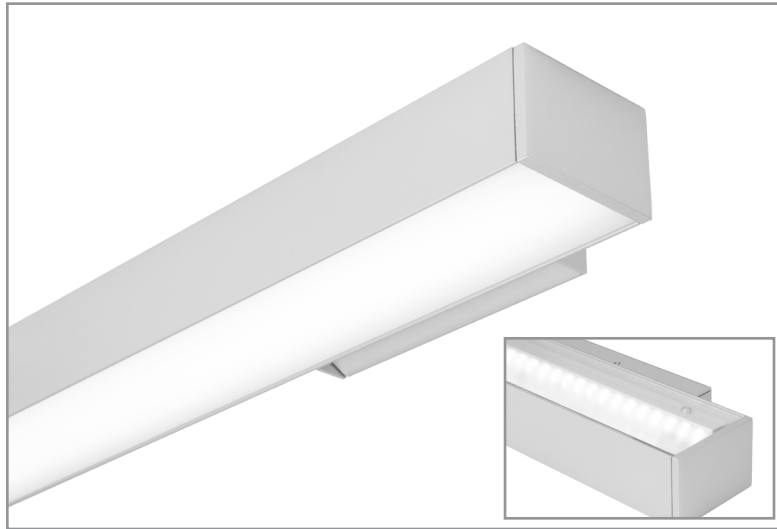


# BSS720 | mullion

1-5/8" tall mullion mount asymmetric LED luminaire, remote driver

Project: \_\_\_\_\_ Type: \_\_\_\_\_



## FEATURES

The BSS720 is a linear LED luminaire with asymmetric optics for mullion or wall mount applications. The remote driven 1-5/8" tall by 2-1/4" wide extruded aluminum housing can be mounted direct or indirect positions. Specific reflector/lens optic components are provided for each orientation.

## SPECIFICATIONS

Fixture constructed of an extruded aluminum housing, extruded acrylic lens and machined aluminum end caps

Fixture configured with brackets for direct or indirect mounting to mullions or other vertical surfaces

Direct oriented fixtures feature an asymmetric reflector and diffuse acrylic lens

Indirect oriented fixtures feature a multi-piece reflector system and acrylic lens

Standard finishes as shown below

Available in nominal lengths of 2'-8' single fixtures and continuous runs

Fixtures wired with 10' low voltage leads

Included standard remote 120-277V driver offered with 0-10V dimming or non-dim (other dimming driver options available)

Remote mounted emergency battery backup available (ordered separately, consult factory for details)

Standard light outputs range from 525-1290 lumens per foot, depending on fixture orientation

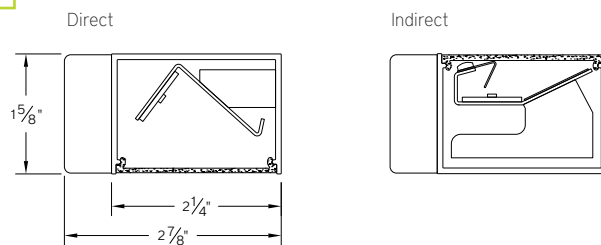
LEDs available in 2700K, 3000K, 3500K, and 4000K, within a 3 step MacAdam ellipse, all with 90+ CRI typical

Life: 50,000 hours L<sub>70</sub>

Limited five year warranty

UL and C-UL listed for dry and damp locations

## SECTION



## PERFORMANCE

Note: All data reflects fixtures with 3500K LEDs

NOMINAL LENGTH	FIXTURE ORIENTATION	OUTPUT	LUMENS/ft.	WATTS/ft.	LUMINAIRE LUMENS	EFFICACY (LPW)
45"	Direct	L: low	525	5.4	1944	96
		R: regular	710	7.6	2646	93
		H: high	1080	12.4	4018	87
	Indirect	L: low	630	5.5	2336	114
		R: regular	850	7.7	3166	111
		H: high	1290	12.5	4806	103



## BSS720 -

### NOMINAL FIXTURE LENGTH\*

23: 22-5/8"  
34: 33-5/8"  
45: 44-5/8"  
56: 55-5/8"  
67: 66-5/8"  
78: 77-5/8"  
89: 88-5/8"  
RUN ‡

### CORRELATED COLOR TEMPERATURE

27: 2700K-90+ CRI  
30: 3000K-90+ CRI  
35: 3500K-90+ CRI  
40: 4000K-90+ CRI

### REMOTE DRIVER

ND: non-dimming  
[Dimming]  
D: 0-10V, 1%  
DTR: triac, 1%  
DLV: electronic low voltage, 1%  
HES: Lutron Eco-System, soft-on fade-to-black, 1%  
EL: eldoLED ECO-drive 0-10V, 1%  
ES: eldoLED SOLO-drive 0-10V, 0.1%  
ELD: eldoLED ECOdrive DALI, 1%  
ESD: eldoLED SOLO-drive DALI, 0.1%

### LIGHT OUTPUT (lumens per foot w/ mount option W)

L: low - 630  
R: regular - 850  
H: high - 1290  
CF: consult factory for custom output

### MOUNT

WD: wall mount - direct  
W: wall mount - indirect

### OPTIC

1: asymmetric

### RUN CONFIGURATION

SN: single  
ST: starter  
AD: adder  
TR: terminator

### FINISH

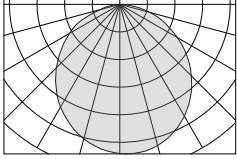
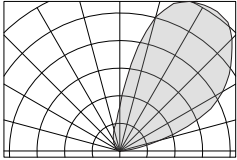
AW: architectural white (semi-matte)  
WH: white (semi-gloss)  
BL: black (semi-matte)  
MB: matte black  
ESS: environmental satin silver  
BZ: bronze  
PR: primer  
CF: consult factory for custom finish  
SA: satin anodize (may require additional lead time)

Note: Each fixture includes a remote driver matched for fixture length and light output.

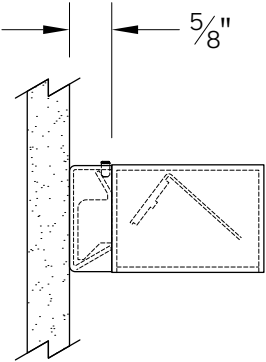
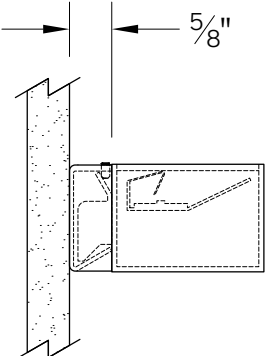
\* Actual dimension dependent on run configuration.

‡ Specify run length to the nearest one foot. Factory will configure using the least quantity of fixtures as close to the desired run length as possible without exceeding the length. Run to be confirmed with a shop drawing.

## OPTIC

	ORDERING CODE	DESCRIPTION	SPECIFICATIONS
	1	ASYMMETRIC OPTIC (w/WD mounting option)	Asymmetric reflector and extruded diffuse acrylic lens for direct orientation mounting
	1	ASYMMETRIC OPTIC (w/WI mounting option)	Multi-part asymmetric reflector system and extruded acrylic lens for indirect orientation mounting

## MOUNTING

	ORDERING CODE	DESCRIPTION
	WD	<p>WALL/MULLION MOUNT – DIRECT ORIENTATION</p> <p>Mounting option includes:</p> <ul style="list-style-type: none"> <li>• 1-9/16" H x 4-3/4" W bracket projects the fixture housing 5/8" from the mounting surface</li> <li>• Bracket finish matches fixture finish, or ESS for satin anodize (SA) housing</li> </ul>
	WI	<p>WALL/MULLION MOUNT – INDIRECT ORIENTATION</p> <p>Mounting option includes:</p> <ul style="list-style-type: none"> <li>• 1-9/16" H x 4-3/4" W bracket projects the fixture housing 5/8" from the mounting surface</li> <li>• Bracket finish matches fixture finish, or ESS for satin anodize (SA) housing</li> </ul>

## LENGTH/MOUNTING DIMENSIONS

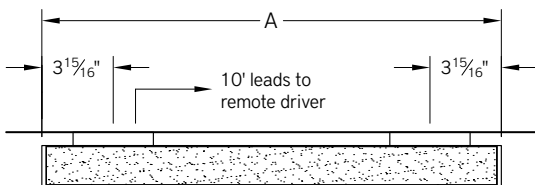
ORDERING CODE	LENGTH A	LENGTH B	LENGTH C
23	22-5/8"	22-7/16"	22-1/4"
34	33-5/8"	33-7/16"	33-1/4"
45	44-5/8"	44-7/16"	44-1/4"
56	55-5/8"	55-7/16"	55-1/4"
67	66-5/8"	66-7/16"	66-1/4"
78	77-5/8"	77-7/16"	77-1/4"
89	88-5/8"	88-7/16"	88-1/4"

## RUN CONFIGURATION INFORMATION

ORDERING CODE	DESCRIPTION
SN	Single
ST	Starter
AD	Adder
TR	Terminator

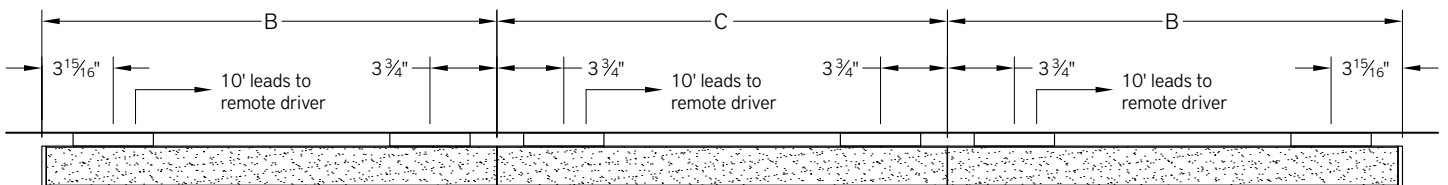
## RUN INFORMATION

Plan - Wall Mount Single Fixture



SN

Plan - Wall Mount Continuous Run



ST

AD

TR