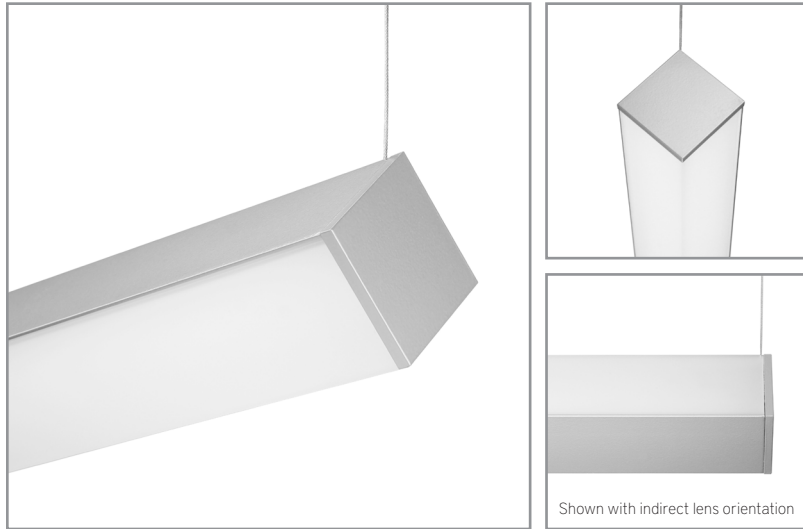


# BSS746 | WEDGE

2" diamond profile suspended LED luminaire, remote driver

Project: \_\_\_\_\_ Type: \_\_\_\_\_



## FEATURES

The Wedge series BSS746 luminaire puts a spin on the typical linear pendant fixture. The 2" x 2" extruded aluminum housing is suspended from the corner edge, positioning the profile in a diamond shape. The two-sided frosted acrylic lens diffuses light in a broad distribution and can be specified in a direct or indirect orientation. Various remote drivers are available, as are several 90 CRI LED color temperatures and outputs.

## SPECIFICATIONS

Fixture constructed of an extruded aluminum housing, frosted, extruded acrylic lens and machined aluminum end caps

Standard finishes as shown below

Available in nominal lengths of 2'-8' single fixtures and continuous runs

Wired with 10' low voltage power cable

Included standard remote 120-277V driver offered with 0-10V dimming or non-dim (other dimming driver options available)

Remote mounted emergency battery backup available (ordered separately, consult factory for details)

Standard light outputs are 600, 815 or 1240 lumens per foot

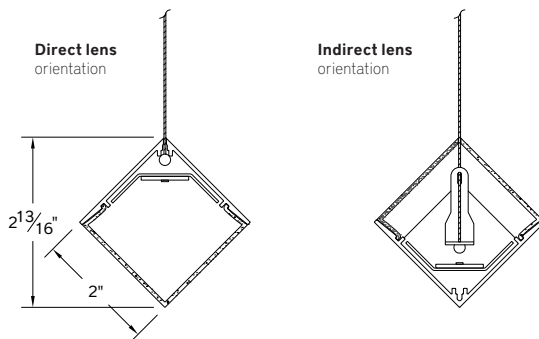
LEDs available in 2700K, 3000K, 3500K, and 4000K, within a 3 step MacAdam ellipse, all with 90+ CRI typical

Life: 50,000 hours L<sub>70</sub>

Limited five year warranty

UL and C-UL listed for dry and damp locations

## SECTION



## PERFORMANCE

NOMINAL LENGTH	OUTPUT	LUMENS/ft.	WATTS/ft.	LUMINAIRE LUMENS	EFFICACY (LPW)
4'	L: low	600	5.1	2400	118
	R: regular	815	7.2	3267	114
	H: high	1240	11.6	4961	107

Note: All data reflects fixtures with 3500K LEDs



## BSS746 -

<p><b>NOMINAL FIXTURE LENGTH*</b></p> <p>23: 22-5/8"</p> <p>34: 33-5/8"</p> <p>45: 44-5/8"</p> <p>56: 55-5/8"</p> <p>67: 66-5/8"</p> <p>78: 77-5/8"</p> <p>89: 88-5/8"</p> <p>CF: consult factory for custom length</p>	<p><b>CORRELATED COLOR TEMPERATURE</b></p> <p>27: 2700K-90+ CRI</p> <p>30: 3000K-90+ CRI</p> <p>35: 3500K-90+ CRI</p> <p>40: 4000K-90+ CRI</p>	<p><b>REMOTE DRIVER</b></p> <p>ND: non-dimming</p> <p><b>[Dimming]</b></p> <p>D: 0-10V, 1%</p> <p>DTR: triac, 1%</p> <p>DLV: electronic low voltage, 1%</p> <p>HES: Lutron EcoSystem, soft-on fade-to-black, 1%</p> <p>EL: eldoLED ECOdrive 0-10V, 1%</p> <p>ES: eldoLED SOLOdrive 0-10V, 0.1%</p> <p>ELD: eldoLED ECOdrive DALI, 1%</p> <p>ESD: eldoLED SOLOdrive DALI, 0.1%</p>	<p><b>LIGHT OUTPUT (lumens per foot)</b></p> <p>L: low - 600</p> <p>R: regular - 815</p> <p>H: high - 1240</p> <p>CF: consult factory for custom output</p>	<p><b>MOUNT</b></p> <p>C4: cable mount 4' cable length</p> <p>C8: cable mount 8' cable length</p> <p>CF: consult factory for custom mounting</p>	<p><b>LENS ORIENTATION</b></p> <p>D: direct</p> <p>I: indirect</p>	<p><b>RUN CONFIGURATION</b></p> <p>SN: single</p> <p>ST: starter</p> <p>AD: adder</p> <p>TR: terminator</p>	<p><b>FINISH</b></p> <p>AW: architectural white (semi-matte)</p> <p>WH: white (semi-gloss)</p> <p>BL: black (semi-matte)</p> <p>MB: matte black</p> <p>ESS: environmental satin silver</p> <p>BZ: bronze</p> <p>PR: primer</p> <p>CF: consult factory for custom finish</p> <p>SA: satin anodize (may require additional lead time)</p>
---	--	---	---	--	--	---	---

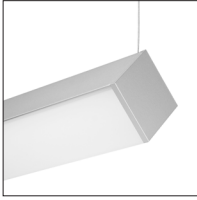
\* Actual dimension dependent on run configuration.

# BSS746 | WEDGE

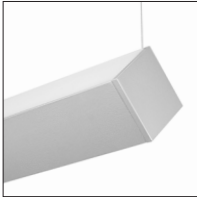
2" diamond profile suspended LED luminaire, remote driver

## LENS ORIENTATION

ORDERING CODE      DESCRIPTION



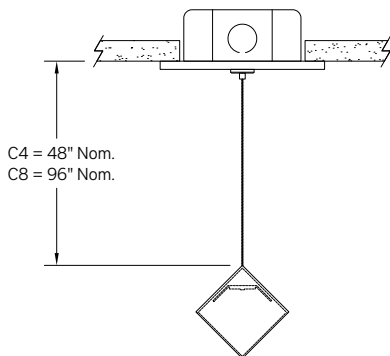
D      Direct lens orientation



I      Indirect lens orientation

## MOUNTING

ORDERING CODE      DESCRIPTION



C4 and C8

CABLE MOUNT

Mounting option includes:

- Ø 1/32" x 48" (C4) or 96" (C8) aircraft cables
- 60" (C4) or 108" (C8) low voltage cable (in coordinating finish)
- Bracket bars
- Ø 5" white canopies
- Canopy mount cable grippers

# BSS746 | WEDGE

2" diamond profile suspended LED luminaire, remote driver

## CABLE CENTER DIMENSIONS

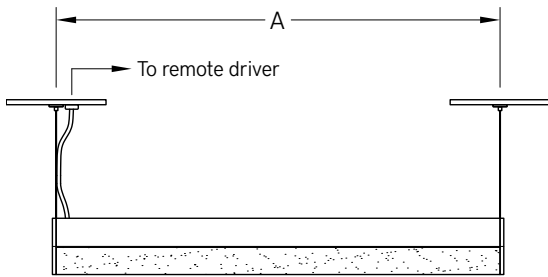
ORDERING CODE	LENGTH A
23	22-1/4"
34	33-1/4"
45	44-1/4"
56	55-1/4"
67	66-1/4"
78	77-1/4"
89	88-1/4"

## RUN CONFIGURATION INFORMATION

ORDERING CODE	DESCRIPTION
SN	Single
ST	Starter
AD	Adder
TR	Terminator

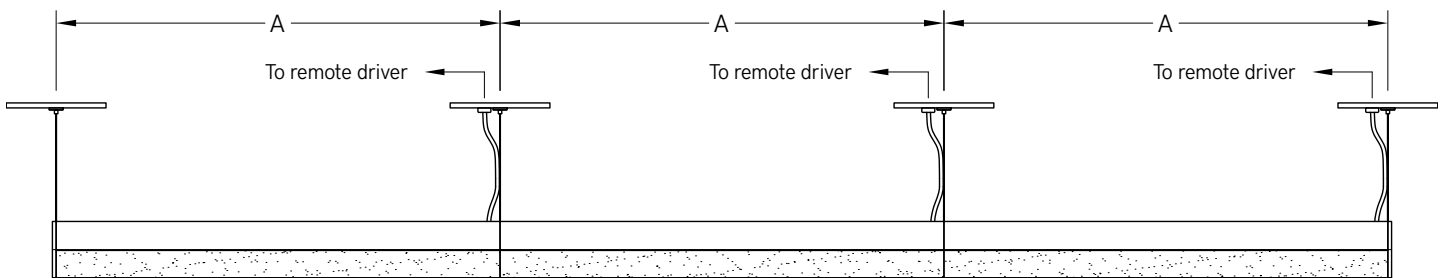
## RUN INFORMATION

Side View - Single Fixture



SN

Side View - Continuous Run



ST

AD

TR

Note: Dimensions also apply to the Indirect orientation option