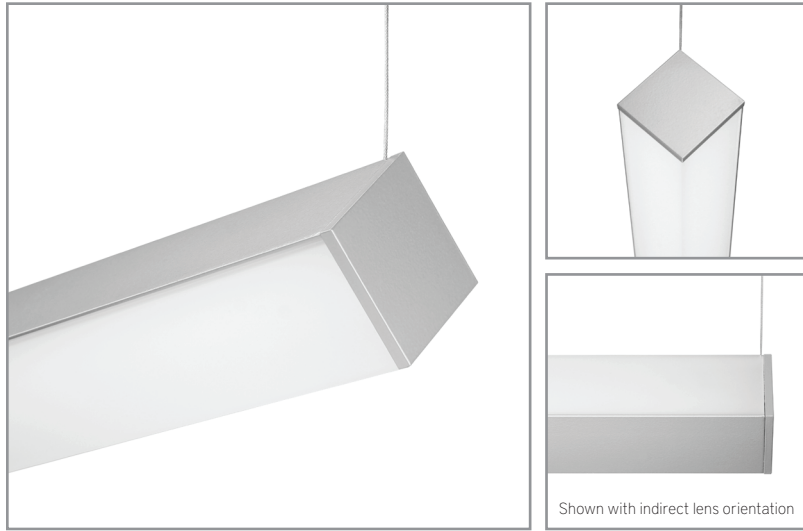


BSS746 | WEDGE

2" diamond profile suspended LED luminaire, remote driver

Project: _____ Type: _____



FEATURES

The Wedge series BSS746 luminaire puts a spin on the typical linear pendant fixture. The 2" x 2" extruded aluminum housing is suspended from the corner edge, positioning the profile in a diamond shape. The two-sided frosted acrylic lens diffuses light in a broad distribution and can be specified in a direct or indirect orientation. Various remote drivers are available, as are several 90 CRI LED color temperatures and outputs.

SPECIFICATIONS

Fixture constructed of an extruded aluminum housing, frosted, extruded acrylic lens and machined aluminum end caps

Standard finishes as shown below

Available in nominal lengths of 2'-8' single fixtures and continuous runs

Wired with 10' low voltage power cable

Included standard remote 120-277V driver offered with 0-10V dimming or non-dim (other dimming driver options available)

Remote mounted emergency battery backup available (ordered separately, consult factory for details)

Standard light outputs are 600, 815 or 1240 lumens per foot

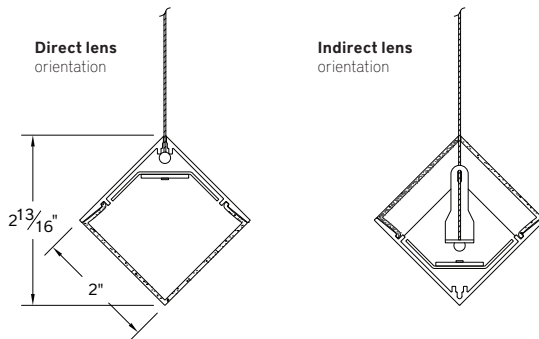
LEDs available in 2700K, 3000K, 3500K, and 4000K, within a 3 step MacAdam ellipse, all with 90+ CRI typical

Life: 50,000 hours L₇₀

Limited five year warranty

UL and C-UL listed for dry and damp locations

SECTION



PERFORMANCE

NOMINAL LENGTH	OUTPUT	LUMENS/ft.	WATTS/ft.	LUMINAIRE LUMENS	EFFICACY (LPW)
4'	L: low	600	5.1	2400	118
	R: regular	815	7.2	3267	114
	H: high	1240	11.6	4961	107

Note: All data reflects fixtures with 3500K LEDs



BSS746 -

NOMINAL FIXTURE LENGTH*

23: 22-5/8"
 34: 33-5/8"
 45: 44-5/8"
 56: 55-5/8"
 67: 66-5/8"
 78: 77-5/8"
 89: 88-5/8"
 CF: consult factory for custom length

CORRELATED COLOR TEMPERATURE

27: 2700K-90+ CRI
 30: 3000K-90+ CRI
 35: 3500K-90+ CRI
 40: 4000K-90+ CRI

REMOTE DRIVER

ND: non-dimming
[Dimming]
 D: 0-10V, 1%
 HES: Lutron EcoSystem, soft-on/fade-to-black, 1%
 H2: Lutron Hi-lume 2-wire forward phase, 1%, (120V ONLY)
 EL: eldoLED ECOdrive, 0-10V, 1%

LIGHT OUTPUT (lumens per foot)

L: low - 600
 R: regular - 815
 H: high - 1240
 CF: consult factory for custom output

MOUNT

C4: cable mount 4' cable length
 C8: cable mount 8' cable length
 CF: consult factory for custom mounting

LENS ORIENTATION

D: direct
 I: indirect

RUN CONFIGURATION

SN: single
 ST: starter
 AD: adder
 TR: terminator

FINISH

AW: architectural white (semi-matte)
 WH: white (semi-gloss)
 BL: black (semi-matte)
 MB: matte black
 ESS: environmental satin silver
 BZ: bronze
 PR: primer
 CF: consult factory for custom finish
 SA: satin anodize (may require additional lead time)

* Actual dimension dependent on run configuration

BSS746 | WEDGE

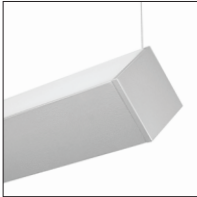
2" diamond profile suspended LED luminaire, remote driver

LENS ORIENTATION

ORDERING CODE DESCRIPTION



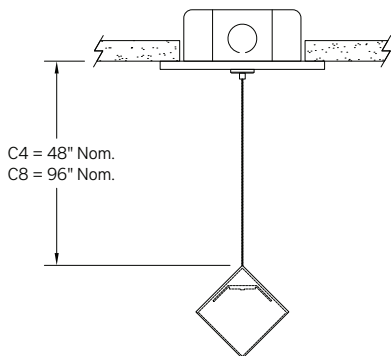
D Direct lens orientation



I Indirect lens orientation

MOUNTING

ORDERING CODE DESCRIPTION



C4 and C8

CABLE MOUNT

Mounting option includes:

- Ø 1/32" x 48" (C4) or 96" (C8) aircraft cables
- 60" (C4) or 108" (C8) low voltage cable (in coordinating finish)
- Bracket bars
- Ø 5" white canopies
- Canopy mount cable grippers

BSS746 | WEDGE

2" diamond profile suspended LED luminaire, remote driver

CABLE CENTER DIMENSIONS

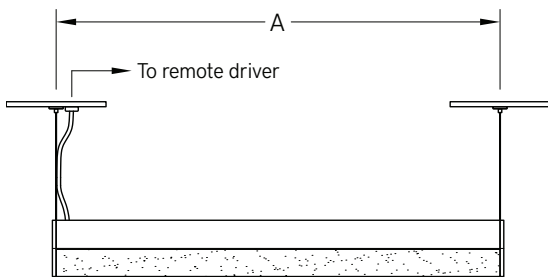
ORDERING CODE	LENGTH A
23	22-1/4"
34	33-1/4"
45	44-1/4"
56	55-1/4"
67	66-1/4"
78	77-1/4"
89	88-1/4"

RUN CONFIGURATION INFORMATION

ORDERING CODE	DESCRIPTION
SN	Single
ST	Starter
AD	Adder
TR	Terminator

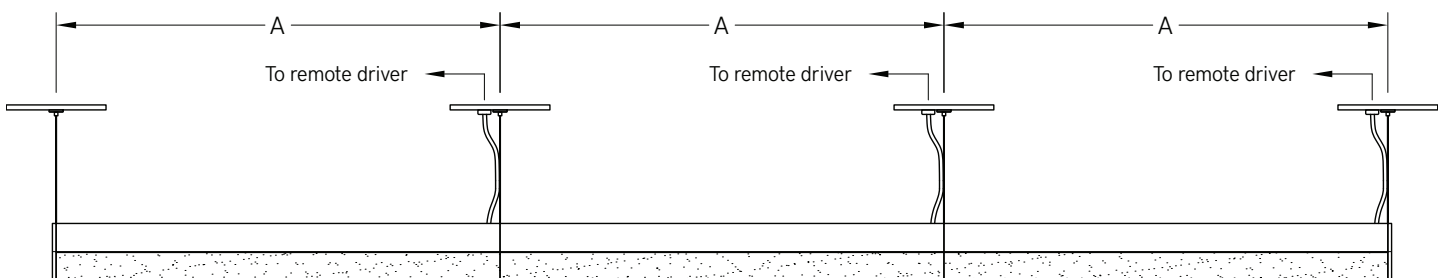
RUN INFORMATION

Side View - Single Fixture



SN

Side View - Continuous Run



ST

AD

TR

Note: Dimensions also apply to the Indirect orientation option