

HCB20 | Swell

Adjustable cove mount LED luminaire, Illuminated by BIOS®



Project: _____ Type: _____



FEATURES

The HCB20 is a linear LED luminaire tailored for health-centric lighting installations. This small profile, cove mount model features rugged construction, a unique, field adjustable locking focus and two optic options.

The HCB20 fixture is embedded with BIOS SkyBlue® circadian solutions to produce the healthy "blue sky" light signal needed to stimulate human circadian biology. This specific light wavelength communicates directly with human biology through a non-visual photoreceptor to regulate circadian rhythms, providing healthier sleep patterns and ultimately, better health.

SPECIFICATIONS

Fixture mounting/wiring channel is formed and welded 20 ga. steel chemically treated to resist corrosion and enhance paint adhesion.

LED housing is extruded aluminum with sheet aluminum end caps.

Standard fixture finish is semi-gloss white powder coat, applied postproduction.

Asymmetric and Lambertian extruded acrylic lens options available.

Available in nominal lengths of 2', 3', 4' and 5'.

LED housing rotates and locks in place without tools at -15°, 0°, 15°, 30°, 45°, 60°, 75°, 90° and 105°.

Knock outs on ends, and underside accept standard electrical fittings by others

Standard integral 120V-277V driver offered with 0-10V dimming or non-dim (other dimming driver options available).

Integral 120-277V emergency battery backup available for 4' nominal non-dim or 0-10V (consult factory for all other lengths/drivers).

Standard outputs range from 665 to 915 lumens per foot, depending on optic option.

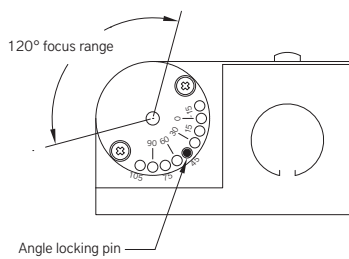
BIOS LEDs have 80+ CRI, R9 90+ and are available in static 3000K, 3500K, 4000K and two dynamic options in 2700-3000K, 2700-3500K and 2700-4000K.

Life: 50,000 hours L₇₀.

Limited five year warranty.

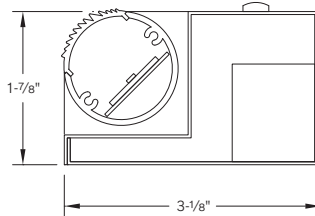
UL and C-UL listed for dry and damp locations.

PROFILE



SECTION

Shown with asymmetric optic



PERFORMANCE

NOMINAL LENGTH	OPTIC OPTION	OUTPUT	LUMENS/ft.	WATTS/ft.	LUMINAIRE LUMENS	EFFICACY (LPW)
4'	Asymmetric	R: regular	690	8.2	2601	84
		H: high	915	11.3	3468	81
	Frosted (Lambertian)	R: regular	665	8.0	2510	83
		H: high	885	11.0	3347	80

Note: All data reflects fixture with BIOS Static Spectrum 3500K LEDs.



HCB20 -

FIXTURE LENGTH

- 2: 23-3/32"
- 3: 34-9/32"
- 4: 45-15/32"
- 5: 56-23/32"

CORRELATED COLOR TEMPERATURE

- | | |
|-----------------------|--------------------------|
| [BIOS static] | [BIOS dynamic TW] |
| BS30: 3000K | BDTW30: 2700K-3000K |
| BS35: 3500K | BDTW35: 2700K-3500K |
| BS40: 4000K | BDTW40: 2700K-4000K |
| [BIOS dynamic] | |
| BD30: 2700K-3000K | |
| BD35: 2700K-3500K | |
| BD40: 2700K-4000K | |

DRIVER

- | | |
|--|-------------------------------------|
| ND: non-dimming | EL: eldoLED ECOdrive 0-10V, 1% |
| [Dimming] | ES: eldoLED SOLOdrive 0-10V, 0.1% |
| D: 0-10V, 1% | ELD: eldoLED ECOdrive DALI, 1% * |
| DTR: triac, 1%, (120V ONLY) * | ESD: eldoLED SOLOdrive DALI, 0.1% * |
| DLV: electronic low voltage, 1%, (120V ONLY) * | |
| HES: Lutron EcoSystem, soft-on/fade-to-black, 1% * | |

LIGHT OUTPUT (lumens per foot w/optic option A)

- R: regular – 690
- H: high – 915
- CF: consult factory for custom output

OPTIC

- A: asymmetric
- F: frosted (Lambertian)

OPTIONS

- ED: emergency driver (4' nom. non-dim or 0-10V only)

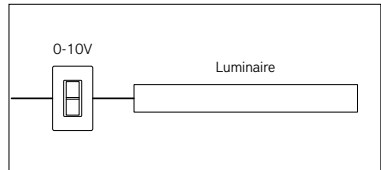
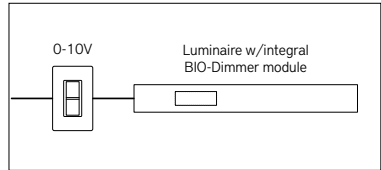
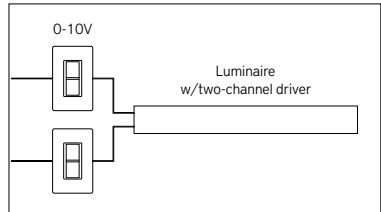
* Consult factory for dimming protocols other than 0-10V.

HCB20 | Swell

Adjustable cove mount LED luminaire, Illuminated by BIOS®

CORRELATED COLOR TEMPERATURE

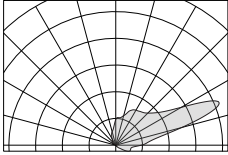
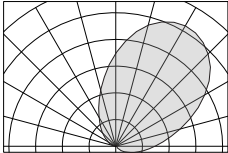
Consult factory for specifics when using dimming protocols other than 0-10V.
For additional information about BIOS LED modules, visit www.bartcolighting.com/series/swell/

ORDERING CODE	MODULE TYPE	LIGHT EFFECT	CONTROL METHOD	
BS30 BS35 BS40	BIOS Static	<ul style="list-style-type: none"> Static color temperature 490nm SkyBlue® LED is always on. 	<ul style="list-style-type: none"> Non-dimming or 0-10V No BIO-Dimming module required. 	
BD30 BD35 BD40	BIOS Dynamic	<ul style="list-style-type: none"> 490nm SkyBlue® LED can be BIO dimmed out with most driver/dimmer combinations. 490nm SkyBlue® wavelengths removed through first 20% of dimming range, followed by a CCT transition to 2700K. 	<ul style="list-style-type: none"> 0-10V Includes integral Bio-Dimming module. 	
BDTW30 BDTW35 BDTW40	BIOS Dynamic Tunable White	<ul style="list-style-type: none"> CCT and Light output can be controlled separately with appropriate driver. 3000K, 3500K and 4100K modules all transition to 2700K when dimmed. 	<ul style="list-style-type: none"> 0-10V two-channel driver No BIO-Dimming module required. 	


HCB20 | Swell

Adjustable cove mount LED luminaire, Illuminated by BIOS®

OPTIC

	ORDERING CODE	DESCRIPTION
	A	Asymmetric light distribution
	F	Lambertian light distribution

OPTIONS

	ORDERING CODE	DESCRIPTION	SPECIFICATIONS
	ED	EMERGENCY LED DRIVER	<ul style="list-style-type: none"> • Universal 120-277V input voltage emergency driver delivers initial minimum power of 10W for 90 minutes. • Available for 4' nominal length non-dim or 0-10V fixture only (consult factory for all other lengths/drivers). • Provided with combination test switch/indicator light mounted to wall plate for remote installation.