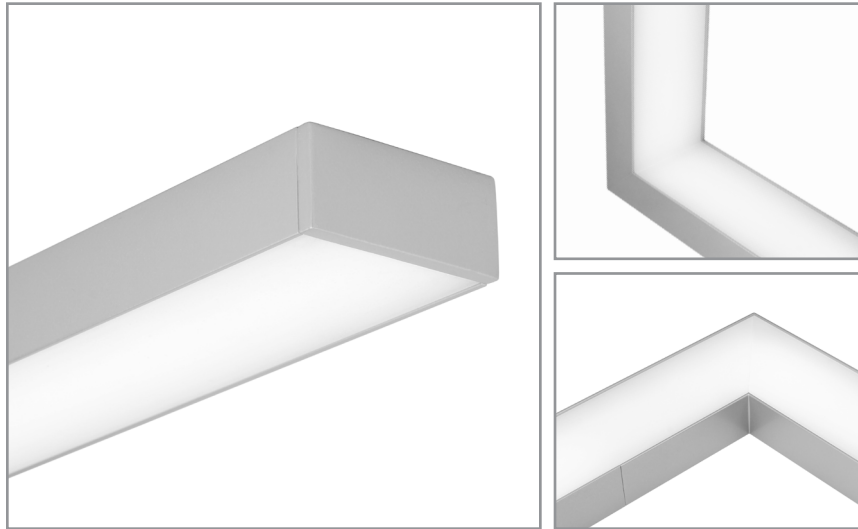


BSS222 | bodhi

1" x 2-1/4" LED luminaire, remote driver

Project: _____ Type: _____



FEATURES

The Bodhi BSS222 is a remote driven luminaire for general lighting use with a shallow profile of 1" tall by 2-1/4" wide. The extruded aluminum fixture is available for surface, t-grid ceiling and cable suspended mounting. In addition to straight fixture configurations, left, right, and inside corners are available as well as a variety of rectangular patterns.

SPECIFICATIONS

Fixture constructed of an extruded aluminum housing, extruded acrylic lens and machined aluminum end caps

Model variations offered for surface, t-grid ceiling and cable suspended applications

Standard finishes as shown below

Available in nominal lengths of 2'-8' single fixtures, continuous runs, corners and rectangular shapes

Included standard remote 120-277V driver offered with 0-10V dimming or non-dim

Remote mounted emergency battery backup available (ordered separately, consult factory for details)

Standard light outputs are 675 and 915 lumens per foot

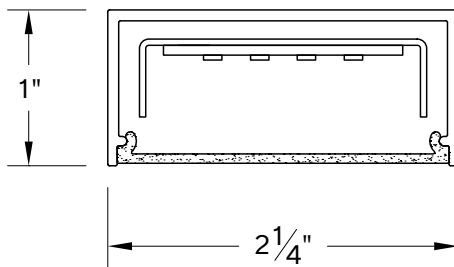
LEDs available in 2700K, 3000K, 3500K and 4000K, within a 3 step MacAdam ellipse, all with 90+ CRI typical

Life: 50,000 hours L₇₀

Limited five year warranty

UL and C-UL listed for dry and damp locations

SECTION



PERFORMANCE

NOMINAL LENGTH	OUTPUT	LUMENS/ft.	WATTS/ft.	LUMINAIRE LUMENS	EFFICACY (LPW)
4'	R: regular	675	7.4	2727	92
	H: high	915	10.2	3703	90

Note: All data reflects fixtures with 3500K LEDs

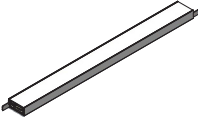
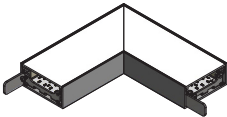
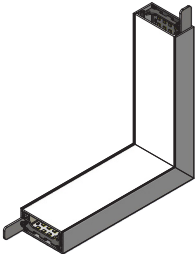
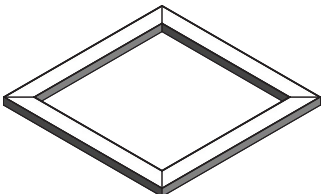


BSS222 -

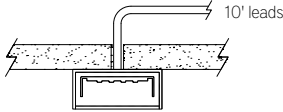
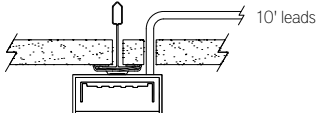
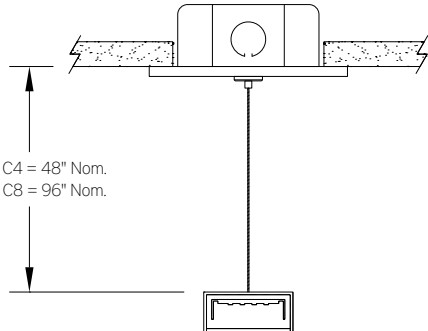
SHAPE*	CORRELATED COLOR TEMPERATURE	DRIVER	OPTIC	MOUNTING OPTION	RUN CONFIGURATION**	FINISH
24: straight 24-1/8" 36: straight 36-1/8" 48: straight 48-1/8" 60: straight 60-1/8" 72: straight 72-1/8" 84: straight 84-1/8" 96: straight 96-1/8" LR: left/right 90° corner IC: 90° inside corner ‡ GR22: 2'x2' square ‡ GR24: 2'x4' rectangle ‡ GR44: 4'x4' square ‡ GR48: 4'x8' rectangle ‡	27: 2700K-90+ CRI 30: 3000K-90+ CRI 35: 3500K-90+ CRI 40: 4000K-90+ CRI	ND: non-dimming [Dimming] D: 0-10V, 10%	A: flush lens	SM: surface mount T1: T-grid 9/16", 15/16" C4: cable mount 4' cable length C8: cable mount 8' cable length CF: consult factory for custom mounting	SN: single ST: starter AD: adder TR: terminator	AW: architectural white (semi-matte) WH: white (semi-gloss) BL: black (semi-matte) MB: matte black ESS: environmental satin silver BZ: bronze PR: primer CF: consult factory for custom finish SA: satin anodize (may require additional lead time)
		LIGHT OUTPUT (lumens per foot) R: regular – 675 H: high – 915				

Note: Each fixture includes a remote driver matched for fixture length and light output
 * Actual dimension dependent on shape and run configuration
 ** Not applicable to corner units or GRxx rectangle shapes
 ‡ SM or T1 mounting option only

SHAPES

	ORDERING CODE	DESCRIPTION	SPECIFICATIONS
	24, 36, 48, 60, 72, 84, 96	STRAIGHT	<ul style="list-style-type: none"> Available in nominal lengths of 24-1/8", 36-1/8", 48-1/8", 60-1/8", 72-1/8", 84-1/8", 96-1/8"
	LR	LEFT/RIGHT 90° CORNER	<ul style="list-style-type: none"> Fixture provided assembled at 90° angle Powered by an adjacent straight fixture
	IC	90° INSIDE CORNER	<ul style="list-style-type: none"> Fixture provided assembled at 90° angle with lenses facing inward Powered by an adjacent straight fixture Available for SM or T1 mounting only
	GR22, GR24, GR44, GR48	SQUARES AND RECTANGLES	<ul style="list-style-type: none"> Fixture assembled in the field in 2'x2' (GR22), 2'x4' (GR24), 4'x4' (GR44), 4'x8' (GR48) nominal rectangular sizes Available for SM or T1 mounting only

MOUNTING

	ORDERING CODE	DESCRIPTION
	SM	<p>SURFACE MOUNT</p> <ul style="list-style-type: none"> • Use appropriate length #8 bugle head fastener through Ø9/32" holes in housing • 10' low voltage leads exit from the fixture back at an end
	T1	<p>T-BAR GRID CEILING – 9/16" and 15/16" width</p> <ul style="list-style-type: none"> • Housing secures with t-bar clip directly to ceiling grid, without the need for tools • 10' low voltage leads exit the fixture back at an end
 <p>C4 = 48" Nom. C8 = 96" Nom.</p>	C4 and C8	<p>CABLE MOUNT</p> <p>Mounting option includes:</p> <ul style="list-style-type: none"> • Ø 1/32"x 48" (C4) or 96" (C8) aircraft cables • 60" (C4) or 108" (C8) low voltage cable (in coordinating finish) • Bracket bars • Ø 5" white canopies • Canopy mount cable grippers

LENGTH/MOUNTING DIMENSIONS

ORDERING CODE	LENGTH A	LENGTH B	LENGTH C	LENGTH D	LENGTH E
24	24-1/2"	24-5/16"	24-1/8"	—	—
36	36-1/2"	36-5/16"	36-1/8"	—	—
48	48-1/2"	48-5/16"	48-1/8"	—	—
60	60-1/2"	60-5/16"	60-1/8"	—	—
72	72-1/2"	72-5/16"	72-1/8"	—	—
84	84-1/2"	84-5/16"	84-1/8"	—	—
96	96-1/2"	96-5/16"	96-1/8"	—	—
LR	SEE ILLUSTRATION BELOW				
IC	SEE ILLUSTRATION BELOW				
GR22	—	—	—	22-5/8"	22-5/8"
GR24	—	—	—	22-5/8"	46-5/8"
GR44	—	—	—	46-5/8"	46-5/8"
GR48	—	—	—	46-5/8"	94-5/8"

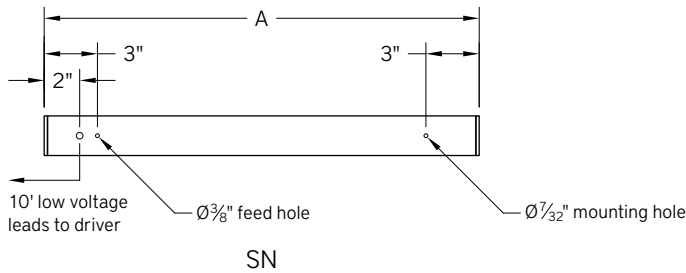
RUN CONFIGURATION INFORMATION

ORDERING CODE	DESCRIPTION
SN	Single
ST	Starter
AD	Adder
TR	Terminator

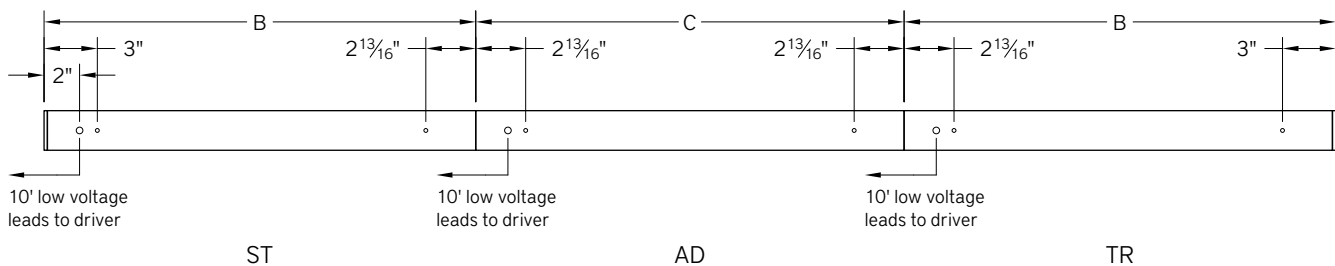
Note: Not applicable to corner units or GRxx rectangle shapes

RUN INFORMATION

Back Plan - Surface Mount Single Fixture

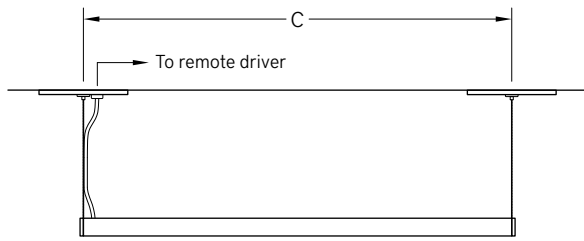


Back Plan - Surface Mount Continuous Run



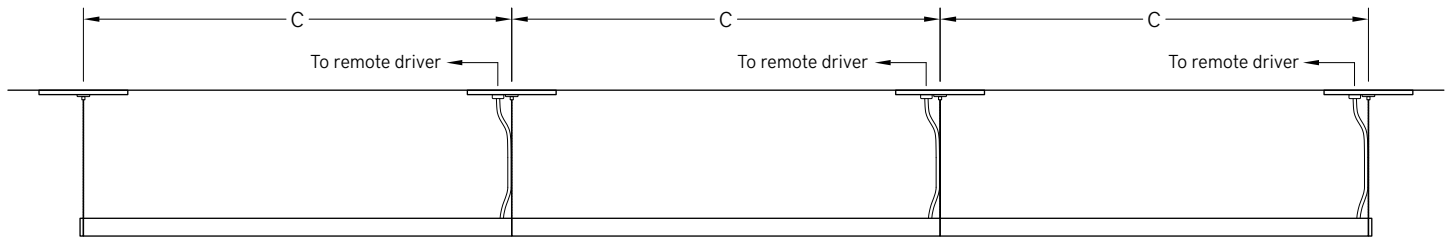
RUN INFORMATION

Side View - Cable Mount Single Fixture



SN

Side View - Cable Mount Continuous Run

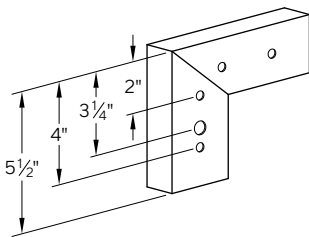


ST

AD

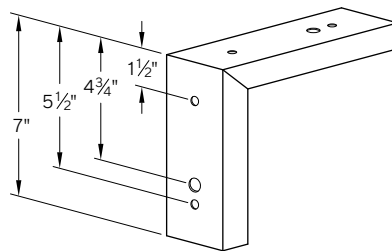
TR

90° Left/Right Corner

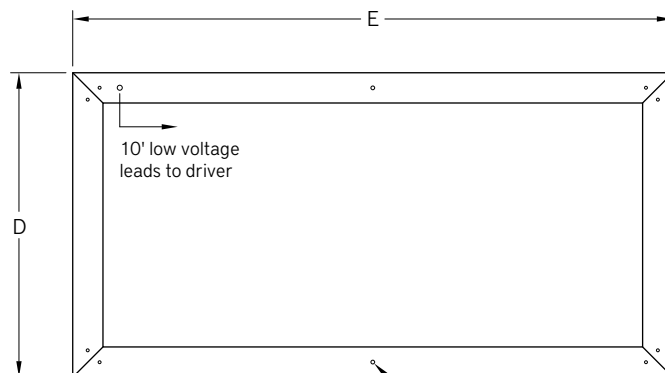
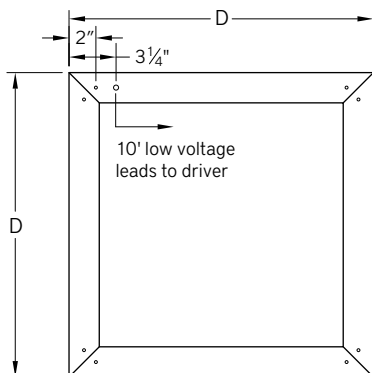


90° Inside Corner

Note: For SM surface or T1 t-grid mount only



Back Plan - Surface Mount Single Fixture



Additional mounting holes provided as required for larger shapes