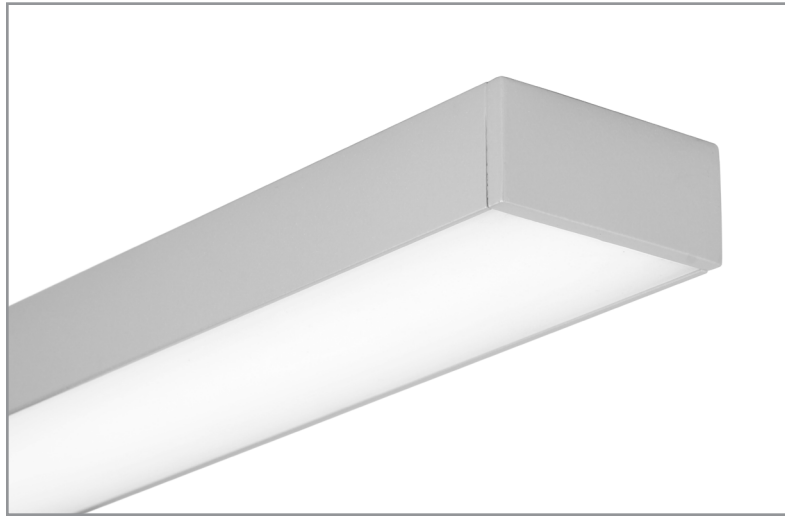


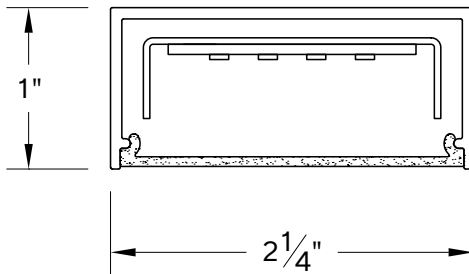
BSS222 | **bodhi**

1" x 2-1/4" LED luminaire, remote driver

Project: _____ Type: _____



SECTION



PERFORMANCE

NOMINAL LENGTH	OUTPUT	LUMENS/ft.	WATTS/ft.	LUMINAIRE LUMENS	EFFICACY (LPW)
4'	R: regular	675	7.4	2727	92
	H: high	915	10.2	3703	90

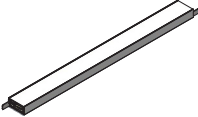
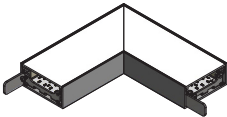
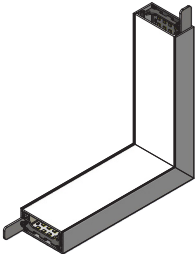
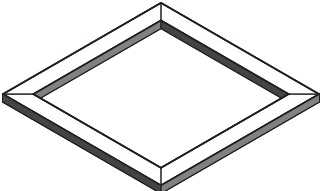
Note: All data reflects fixtures with 3500K LEDs



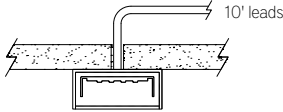
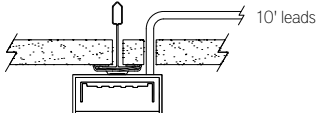
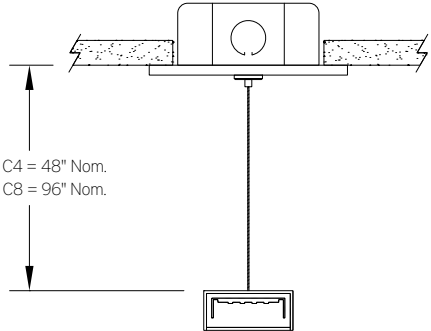
BSS222 -

SHAPE* 24: straight 24-1/8" 36: straight 36-1/8" 48: straight 48-1/8" 60: straight 60-1/8" 72: straight 72-1/8" 84: straight 84-1/8" 96: straight 96-1/8" LR: left/right 90° corner IC: 90° inside corner ‡ GR22: 2'x2' square ‡ GR24: 2'x4' rectangle ‡ GR44: 4'x4' square ‡ GR48: 4'x8' rectangle ‡	CORRELATED COLOR TEMPERATURE 27: 2700K-90+ CRI 30: 3000K-90+ CRI 35: 3500K-90+ CRI 40: 4000K-90+ CRI	DRIVER ND: non-dimming [Dimming] D: 0-10V, 10%	OPTIC A: flush lens	MOUNTING OPTION SM: surface mount T1: T-grid 9/16", 15/16" C4: cable mount 4' cable length C8: cable mount 8' cable length CF: consult factory for custom mounting	RUN CONFIGURATION** SN: single ST: starter AD: adder TR: terminator	FINISH AW: architectural white (semi-matte) WH: white (semi-gloss) BL: black (semi-matte) MB: matte black ESS: environmental satin silver BZ: bronze PR: primer CF: consult factory for custom finish SA: satin anodize (may require additional lead time)
LIGHT OUTPUT (lumens per foot) R: regular – 675 H: high – 915			Note: Each fixture includes a remote driver matched for fixture length and light output * Actual dimension dependent on shape and run configuration ** Not applicable to corner units or GRxx rectangle shapes ‡ SM or T1 mounting option only			

SHAPES

	ORDERING CODE	DESCRIPTION	SPECIFICATIONS
	24, 36, 48, 60, 72, 84, 96	STRAIGHT	<ul style="list-style-type: none"> Available in nominal lengths of 24-1/8", 36-1/8", 48-1/8", 60-1/8", 72-1/8", 84-1/8", 96-1/8"
	LR	LEFT/RIGHT 90° CORNER	<ul style="list-style-type: none"> Fixture provided assembled at 90° angle Powered by an adjacent straight fixture
	IC	90° INSIDE CORNER	<ul style="list-style-type: none"> Fixture provided assembled at 90° angle with lenses facing inward Powered by an adjacent straight fixture Available for SM or T1 mounting only
	GR22, GR24, GR44, GR48	SQUARES AND RECTANGLES	<ul style="list-style-type: none"> Fixture assembled in the field in 2'x2' (GR22), 2'x4' (GR24), 4'x4' (GR44), 4'x8' (GR48) nominal rectangular sizes Available for SM or T1 mounting only

MOUNTING

	ORDERING CODE	DESCRIPTION
	SM	<p>SURFACE MOUNT</p> <ul style="list-style-type: none"> • Use appropriate length #8 bugle head fastener through Ø9/32" holes in housing • 10' low voltage leads exit from the fixture back at an end
	T1	<p>T-BAR GRID CEILING – 9/16" and 15/16" width</p> <ul style="list-style-type: none"> • Housing secures with t-bar clip directly to ceiling grid, without the need for tools • 10' low voltage leads exit the fixture back at an end
	C4 and C8	<p>CABLE MOUNT</p> <p>Mounting option includes:</p> <ul style="list-style-type: none"> • Ø 1/32"x 48" (C4) or 96" (C8) aircraft cables • 60" (C4) or 108" (C8) low voltage cable (in coordinating finish) • Bracket bars • Ø 5" white canopies • Canopy mount cable grippers

LENGTH/MOUNTING DIMENSIONS

ORDERING CODE	LENGTH A	LENGTH B	LENGTH C	LENGTH D	LENGTH E
24	24-1/2"	24-5/16"	24-1/8"	—	—
36	36-1/2"	36-5/16"	36-1/8"	—	—
48	48-1/2"	48-5/16"	48-1/8"	—	—
60	60-1/2"	60-5/16"	60-1/8"	—	—
72	72-1/2"	72-5/16"	72-1/8"	—	—
84	84-1/2"	84-5/16"	84-1/8"	—	—
96	96-1/2"	96-5/16"	96-1/8"	—	—
LR	SEE ILLUSTRATION BELOW				
IC	SEE ILLUSTRATION BELOW				
GR22	—	—	—	22-5/8"	22-5/8"
GR24	—	—	—	22-5/8"	46-5/8"
GR44	—	—	—	46-5/8"	46-5/8"
GR48	—	—	—	46-5/8"	94-5/8"

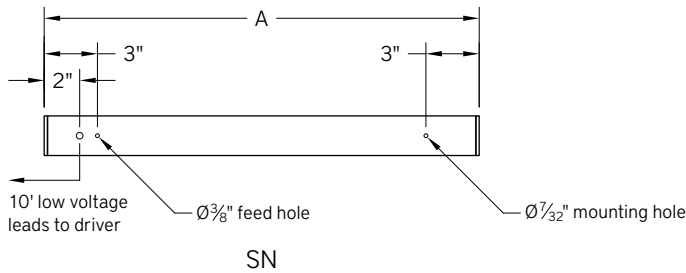
RUN CONFIGURATION INFORMATION

ORDERING CODE	DESCRIPTION
SN	Single
ST	Starter
AD	Adder
TR	Terminator

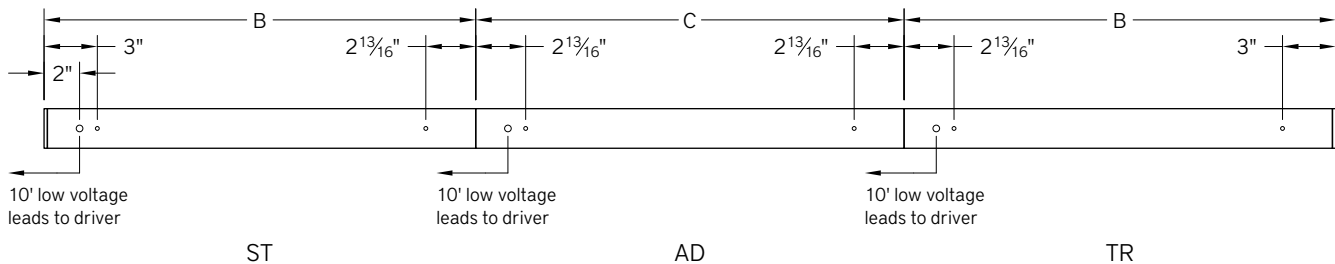
Note: Not applicable to corner units or GRxx rectangle shapes

RUN INFORMATION

Back Plan - Surface Mount Single Fixture

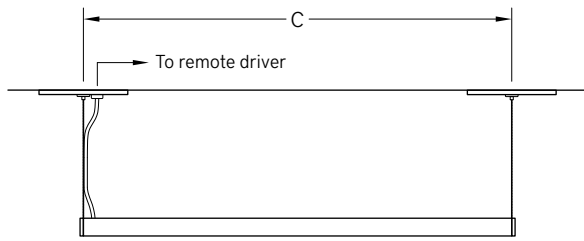


Back Plan - Surface Mount Continuous Run



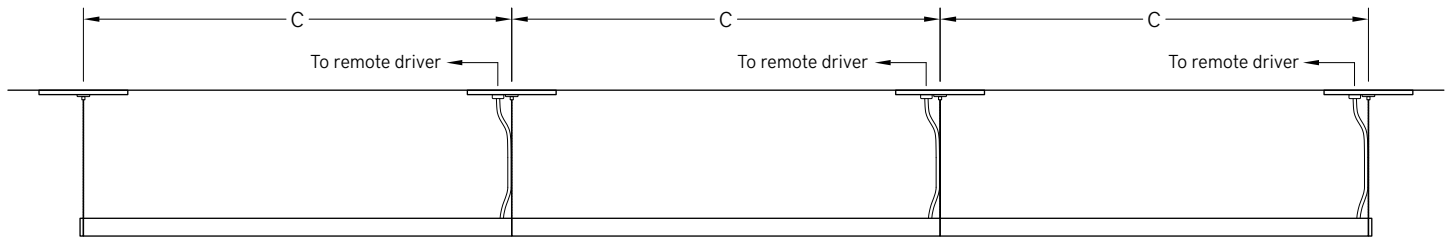
RUN INFORMATION

Side View - Cable Mount Single Fixture



SN

Side View - Cable Mount Continuous Run

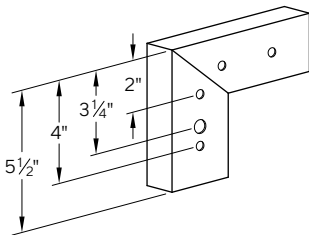


ST

AD

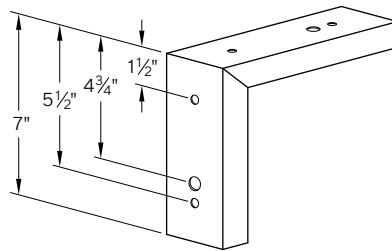
TR

90° Left/Right Corner

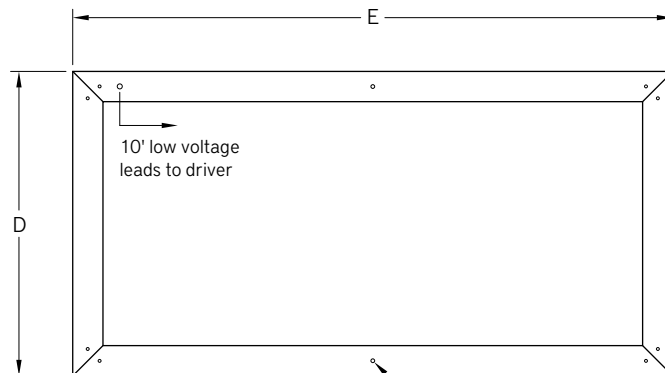
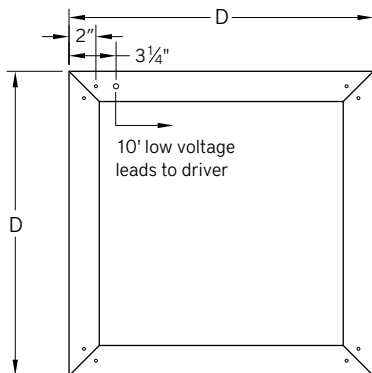


90° Inside Corner

Note: For SM surface or T1 t-grid mount only



Back Plan - Surface Mount Single Fixture



Additional mounting holes provided as required for larger shapes