

BDA30 | DARYL

Linear asymmetric LED luminaire for outdoor locations



Project: _____ Type: _____



FEATURES

The Daryl BDA30 is a linear LED luminaire for outdoor applications with high performance asymmetric optics. The 3-1/4" x 3" extruded aluminum housing is fitted with internal shielding to minimize backlight and a louver to manage straylight. These features coupled with an extruded acrylic lens with engineered Fresnels, combine to produce a type IV distribution optimized for walkways, stairways and pedestrian bridges and tunnels.

SPECIFICATIONS

Fixture constructed of an extruded aluminum housing, aluminum LED liner/reflector, extruded acrylic lens and 16 gauge sheet steel end caps

Standard finishes as shown below

Asymmetric type IV distribution accomplished with internal shielding, a louver and an extruded acrylic lens with engineered Fresnels

Fixture provided with standard mounting to a surface or outdoor rectangular wall box

Available in nominal lengths of 2'-8' single fixtures and continuous runs

Basic continuous run fixtures provided with 18 ga. wiring harness for 6 Amp maximum load (consult factory for runs requiring multiple circuits, etc.)

Standard integral 120-277V driver offered with 0-10V dimming or non-dim

Integral 120-277V emergency battery backup available for 4' nominal non-dim or 0-10V (consult factory for all other lengths/drivers)

Standard output is 80 lumens per foot at 2 Watts per foot

LEDs available in 2700K, 3000K, 3500K and 4000K, within a 3 step MacAdam ellipse, all with 90+ CRI typical

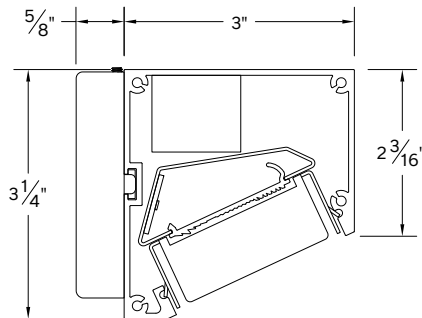
Life: 50,000 hours L₇₀

Limited five year warranty

UL and C-UL listed for wet locations



SECTION



PERFORMANCE

*Note: All data reflects fixtures with 3000K LEDs

NOMINAL LENGTH	OUTPUT	LUMENS/ft.	WATTS/ft.	LUMINAIRE LUMENS	EFFICACY (LPW)
55"	L: low	80	2.0	367	41

BDA30 -

NOMINAL FIXTURE LENGTH

- 22: 22-3/8"
- 24: 24-1/8"
- 33: 33-3/8"
- 44: 44-3/8"
- 48: 48-1/8"
- 55: 55-3/8"
- 66: 66-3/8"
- 72: 72-3/8"
- 77: 77-3/8"
- 88: 88-3/8"
- 96: 96-1/8"
- RUN: *

CORRELATED COLOR TEMPERATURE

- 27: 2700K-90+ CRI
- 30: 3000K-90+ CRI
- 35: 3500K-90+ CRI
- 40: 4000K-90+ CRI

DRIVER

- ND: non-dimming
- [Dimming]
- D: 0-10V, 1%

LIGHT OUTPUT (lumens/ft.)

- L: low - 80
- CF: consult factory for custom output

OPTIC

- 1: asymmetric distribution

LOUVER

- A: standard louver

LOUVER FINISH

- AW: architectural white (semi-matte)
- ESS: environmental satin silver
- BZ: bronze
- CF: consult factory for custom finish

MOUNT

- SM1: surface/rect. wall box mount
- CF: consult factory for custom mounting

RUN CONFIGURATION

- SN: single
- ST: starter
- AD: adder
- TR: terminator

OPTIONS

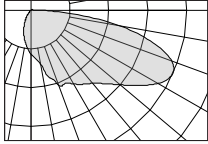
- ED: emergency driver (4' or 8' non-dim or 0-10V only)

HOUSING FINISH

- AW: architectural white (semi-matte)
- WH: white (semi-gloss)
- BL: black (semi-matte)
- MB: matte black
- ESS: environmental satin silver
- BZ: bronze
- PR: primer
- CF: consult factory for custom finish

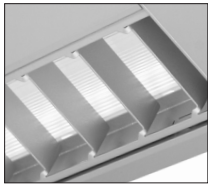
OPTIC

ORDERING CODE	DESCRIPTION	SPECIFICATIONS
1	ASYMMETRIC DISTRIBUTION	Type IV distribution produced with internally shielded optic chamber, louver assembly and extruded acrylic lens with Fresnel features.



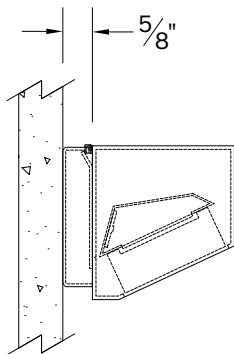
LOUVER

ORDERING CODE	DESCRIPTION	SPECIFICATIONS
A	STANDARD LOUVER	20 gauge steel with 5/8" tall blades, spaced 1-1/4" apart Available in architectural white (AW), environmental satin silver (ESS) and bronze (BZ) powder coat finishes



MOUNTING

ORDERING CODE	DESCRIPTION
SM1	SURFACE/RECTANGULAR WALL BOX MOUNT Mounting option includes: <ul style="list-style-type: none"> 3" H x 4-3/4" W x 3/4" D bracket assembly in matching finish mounts directly to a vertical surface or to a typical rectangular outdoor junction box (gasket by others)



BDA30 | DARYL

Linear asymmetric LED luminaire for outdoor locations

OPTIONS

ORDERING CODE	DESCRIPTION	SPECIFICATIONS
	ED EMERGENCY LED DRIVER	<ul style="list-style-type: none">• Universal 120-277V input voltage emergency driver delivers initial minimum power of 10W for 90 minutes• Available for 4' nominal length non-dim or 0-10V fixture only (consult factory for all other lengths/drivers)• Provided with combination test switch/indicator light mounted to wall plate for remote installation

EPA CALCULATIONS

LENGTH ORDER CODE	EPA
22	0.99 ft ²
24	1.08 ft ²
33	1.49 ft ²
44	1.99 ft ²
48	2.17 ft ²
55	2.48 ft ²
66	2.98 ft ²
72	3.25 ft ²
77	3.48 ft ²
88	3.97 ft ²
96	0.99 ft ²

LENGTH/MOUNTING DIMENSIONS

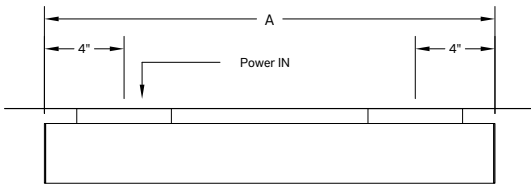
ORDERING CODE	LENGTH A
22	22: 22-3/8"
24	24: 24-1/8"
33	33: 33-3/8"
44	44: 44-3/8"
48	48: 48-1/8"
55	55: 55-3/8"
66	66: 66-3/8"
72	72: 72-3/8"
77	77: 77-3/8"
88	88: 88-3/8"
96	96: 96-1/8"

RUN CONFIGURATION INFORMATION

ORDERING CODE	DESCRIPTION
SN	Single
ST	Starter
AD	Adder
TR	Terminator

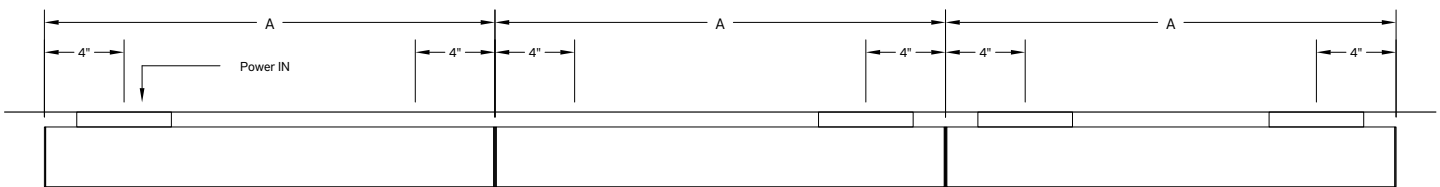
RUN INFORMATION

Plan - Wall Mount Single Fixture Option



SN

Plan - Wall Mount Continuous Fixture Option



ST

AD

TR