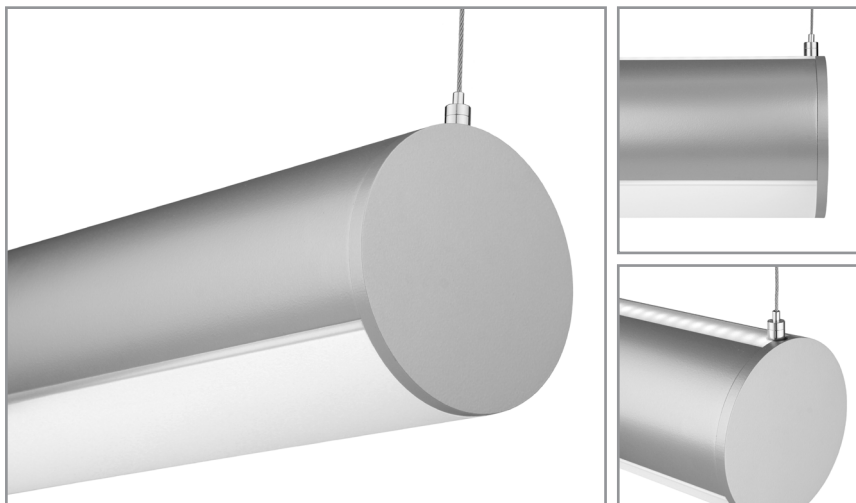


# BSS530 | TUBULAR

Ø4" suspended direct/indirect LED luminaire

Project: \_\_\_\_\_ Type: \_\_\_\_\_



## FEATURES

Part of the Tubular series of LED luminaires, the BSS530 is a suspended direct/indirect fixture for general lighting applications. The two apertures in the Ø4" extruded aluminum housing, are fitted with frosted acrylic lenses. Standard 90+ CRI LEDs are available in a variety of color temperatures, powered with several driver options.

## SPECIFICATIONS

Fixture constructed of an extruded aluminum housing, frosted acrylic extruded lenses and machined aluminum end caps

Standard finishes as shown below

Available in lengths of 2'-8' single fixtures and continuous runs

Basic continuous run fixtures provided with 18 ga. wiring harness for 6 Amp maximum load (consult factory for runs requiring multiple circuits, sensor integration, etc.)

Standard integral 120-277V driver offered with 0-10V dimming or non-dim (other dimming driver options available)

Remote mounted emergency battery backup available (ordered separately, consult factory for details)

Standard outputs are 585, 745 or 975 lumens per foot for the indirect source and 600, 780 or 1030 lumens per foot for the direct source

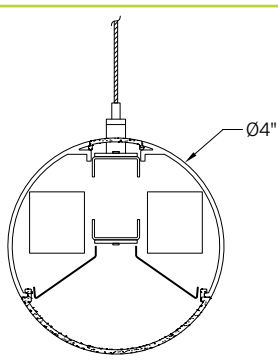
LEDs available in 2700K, 3000K, 3500K and 4000K, within a 3 step MacAdam ellipse, all with 90+ CRI typical

Life: 50,000 hours L<sub>70</sub>

Limited five year warranty

UL and C-UL listed for dry and damp locations

## SECTION



## PERFORMANCE

\*Note: All data reflects fixtures with 3500K LEDs

NOMINAL LENGTH	OPTIC CONFIGURATION	OUTPUT	LUMENS/ft.	WATTS/ft.	LUMINAIRE LUMENS	EFFICACY (LPW)
4'	Indirect	L: low	585	5.5	2158	104
		R: regular	745	7.6	2802	97
		H: high	975	10.6	3682	92
	Direct	L: low	600	5.6	2269	108
		R: regular	780	7.7	2947	102
		H: high	1030	10.7	3872	96



## BSS530 -

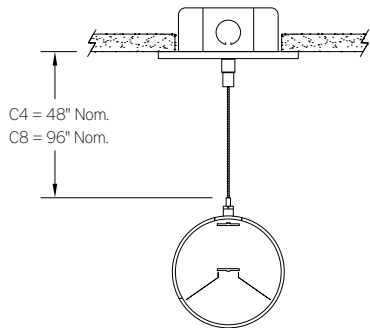
<b>FIXTURE LENGTH*</b> 24: 24" 36: 36" 48: 48" 60: 60" 72: 72" 84: 84" 96: 96"	<b>CORRELATED COLOR TEMPERATURE</b> 27: 2700K-90+ CRI 30: 3000K-90+ CRI 35: 3500K-90+ CRI 40: 4000K-90+ CRI	<b>DRIVER</b> ND: non-dimming <b>[Dimming]</b> D: 0-10V, 1% DTR: triac, 1% DLV: electronic low voltage, 1% HES: Lutron EcoSystem, soft-on fade-to-black, 1% EL: eldoLED ECOdrive 0-10V, 1% ES: eldoLED SOLOdrive 0-10V, 0.1% ELD: eldoLED ECOdrive DALI, 1% ESD: eldoLED SOLOdrive DALI, 0.1%	<b>CIRCUIT</b> 1: single circuit 2: two circuit (48" + length fixtures)	<b>INDIRECT LIGHT OUTPUT (lumens/ft.)</b> L: low – 585 R: regular – 745 H: high – 975 CF: consult factory for custom output	<b>DIRECT LIGHT OUTPUT (lumens/ft.)</b> L: low – 600 R: regular – 780 H: high – 1030 CF: consult factory for custom output	<b>MOUNT</b> C4: cable mount 4' cable length C8: cable mount 8' cable length	<b>FINISH</b> AW: architectural white (semi-matte) WH: white (semi-gloss) BL: black (semi-matte) MB: matte black ESS: environmental satin silver BZ: bronze PR: primer CF: consult factory for custom finish SA: satin anodize (may require additional lead time)
<b>RUN CONFIGURATION</b> SN: single ST: starter AD: adder TR: terminator							

\* Actual dimension dependent on run configuration.

MOUNTING

ORDERING CODE

DESCRIPTION



C4 and C8

CABLE MOUNT

Mounting option includes:

- Ø 1/16" x 48" (C4) or 96" (C8) aircraft cables
- 60" (C4) or 108" (C8) power cable in coordinating finish
- Bracket bars
- Ø 5" white canopies
- Ceiling couplers
- Side exit cable grippers

**NOTE: WHEN DUAL CIRCUIT OPTION IS USED,  
TWO POWER CABLES ARE REQUIRED**

## CABLE CENTER DIMENSIONS

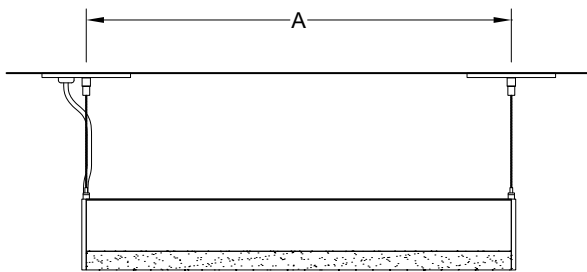
ORDERING CODE	LENGTH A
24	24"
36	36"
48	48"
60	60"
72	72"
84	84"
96	96"

## RUN CONFIGURATION INFORMATION

ORDERING CODE	DESCRIPTION
SN	Single
ST	Starter
AD	Adder
TR	Terminator

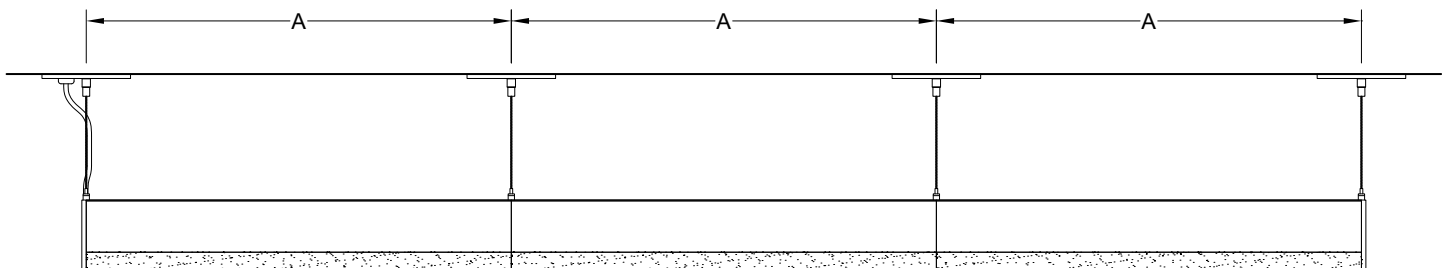
## RUN INFORMATION

Side View - Single Fixture Option



SN

Side View - Continuous Run Option



ST

AD

TR