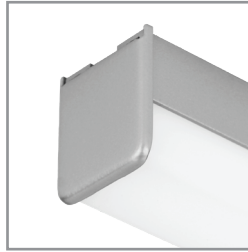


RAD10 | RADICAL

1-1/4" wide by 1-7/16" tall miniature LED luminaire



Project: _____ Type: _____



FEATURES

The RAD10 LED luminaire features an integral dimming driver within a minimal 1-1/4" wide by 1-7/16" tall profile. The extruded aluminum fixture is suitable for surface, cable and direct, grid ceiling mounting. A specially engineered drop lens profile produces highly uniform luminance on the three sides and corners. The proprietary integral 120V or 277V RAD10 driver includes 0-10V 10% dimming, powering 90+ CRI LEDs with three output options. Fixtures are available as single units or with plug-and-play connectivity for runs of seamless illumination up to 56'.

SPECIFICATIONS

Fixture constructed of an extruded aluminum housing, extruded frosted acrylic lens and stamped steel end caps

Model options available for surface, cable suspended and t-grid ceiling mounting

Standard finishes are Architectural White, Matte Black and Environmental Satin Silver powder coat

Available in lengths of 1'-8' single fixtures and continuous runs

Acrylic lens extruded with proprietary diffusing resin to produce highly uniform luminance on the three sides and corners

Fixtures can join directly end-to-end for continuous runs of seamless illumination up to a maximum of 56'

Integral 120V or 277V, 0-10V dimming driver dims down to 10%

Standard outputs are 410, 605 and 790 lumens per foot

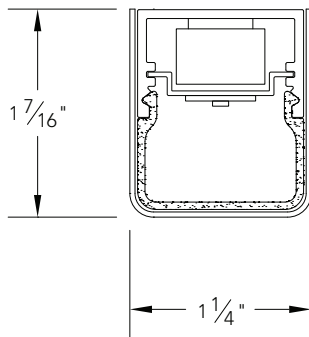
LEDs available in 2700K, 3000K, 3500K and 4000K, within a 3 step MacAdam ellipse, all with 90+ CRI typical

Life: 50,000 hours L₇₀

Limited five year warranty

Assembled in the U.S.A.

SECTION



PERFORMANCE

NOMINAL LENGTH	OUTPUT	LUMENS/ft.	WATTS/ft.	LUMINAIRE LUMENS	EFFICACY (LPW)
4'	L: low	410	3.2	1644	126
	R: regular	605	4.8	2422	125
	H: high	790	6.7	3175	118

Note: All data reflects fixtures with 3500K LEDs



RAD10 -

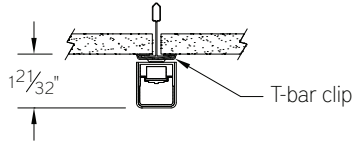
FIXTURE LENGTH 2: 24" 3: 36" 4: 48" 5: 60" (2+3)* 6: 72" (3+3)* 7: 84" (3+4)* 8: 96" (4+4)*	CORRELATED COLOR TEMPERATURE 27: 2700K-90+ CRI 30: 3000K-90+ CRI 35: 3500K-90+ CRI 40: 4000K-90+ CRI	DRIVER ND: non-dimming [Dimming] D: 0-10V, 10%	LIGHT OUTPUT (lumens per foot) L: low – 410 R: regular – 605 H: high – 790 CF: consult factory for custom output	MOUNT T1: T-grid 9/16", 15/16" S1: surface mount back feed C4: cable mount 4' cable length C8: cable mount 8' cable length	RUN CONFIGURATION SN: single ST: starter AD: adder TR: terminator	FINISH AW: architectural white (semi-matte) MB: matte black ESS: environmental satin silver
VOLT 120: 120V 277: 277V		LENS A: drop lens				

* Overall length comprised of two factory-joined fixtures

MOUNTING

ORDERING CODE

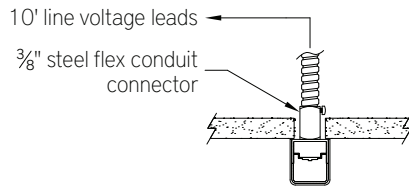
DESCRIPTION



T1

T-BAR GRID CEILING – 9/16" and 15/16" width

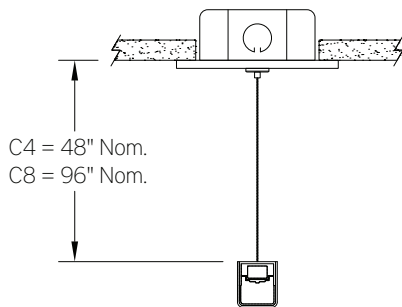
- Housing secures with t-bar clip directly to ceiling grid, without the need for tools
- 18" white power cable exits out the end for SN and ST fixtures
- SN and ST fixtures provided with Ø 4-3/4" canopy power feed plate in white finish for attaching to 4" octagonal junction box by others



S1

SURFACE MOUNT – BACK FEED

- Use appropriate fastener through Ø3/16" holes in housing
- SN and ST fixtures wired with 10' line voltage leads
- Installed feed connector on SN and ST fixtures accepts 3/8" steel flex conduit



C4 and C8

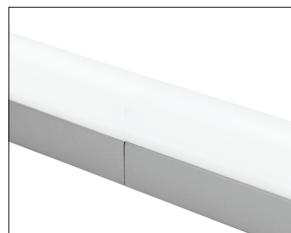
CABLE MOUNT

- Aircraft cables are Ø 1/32"x 48" (C4) or 96" (C8)
- SN and ST fixtures provided with 60" (C4) or 108" (C8) power cable in coordinating finish
- Mounting at ceiling accomplished with bracket bars, Ø 5" white canopies and canopy mount cable grippers

CONTINUOUS RUN CONNECTION



Joining/alignment clip and electrical connector shown



Fixtures joined with seamless illumination

NOTATIONS

- A spring-steel clip mechanically aligns and joins fixtures without the need for tools
- Fixtures provided with electrical quick-connect for primary and dimming circuit
- Any combination of fixture lengths can be joined up to a maximum length of 56'

RAD10 | RADICAL

1-1/4" wide by 1-7/16" tall miniature LED luminaire

LENGTH/MOUNTING DIMENSIONS

ORDERING CODE	LENGTH A	LENGTH B	LENGTH C	LENGTH D	LENGTH E
24	24-1/16"	24-1/32"	24"	23-1/16"	23-17/32"
36	36-1/16"	36-1/32"	36"	35-1/16"	35-17/32"
48	48-1/16"	48-1/32"	48"	47-1/16"	47-17/32"
60*	60-1/16"	60-1/32"	60"	59-1/16"	59-17/32"
72*	72-1/16"	72-1/32"	72"	71-1/16"	71-17/32"
84*	84-1/16"	84-1/32"	84"	83-1/16"	83-17/32"
96*	96-1/16"	96-1/32"	96"	95-1/16"	95-17/32"

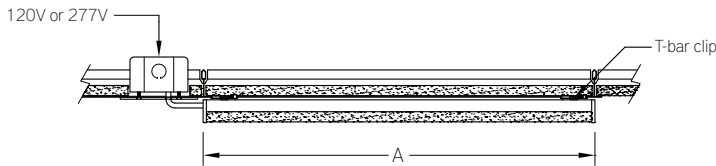
* Overall length comprised of two factory-joined fixtures

RUN CONFIGURATION INFORMATION

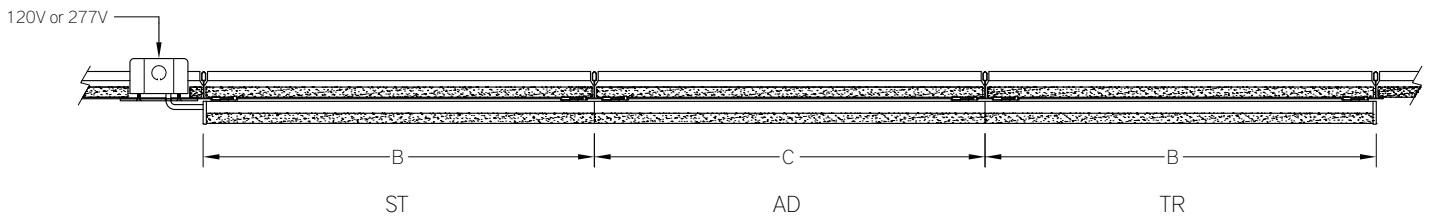
ORDERING CODE	DESCRIPTION
SN	Single
ST	Starter
AD	Adder
TR	Terminator

RUN INFORMATION

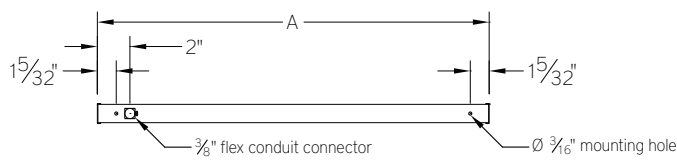
Side View - T-Bar Grid Ceiling Single Fixture



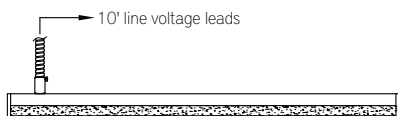
Side View - T-Bar Grid Ceiling Continuous Run



Back Plan - Surface Mount Single Fixture



Side View - Surface Mount Single Fixture



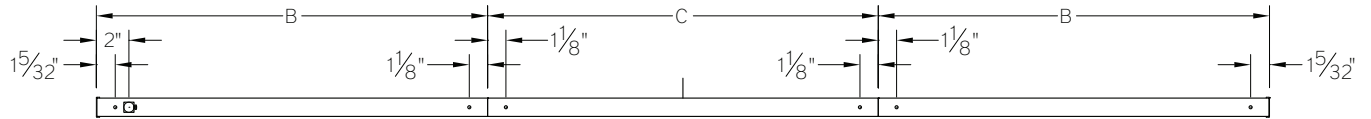
SN

RAD10 | RADICAL

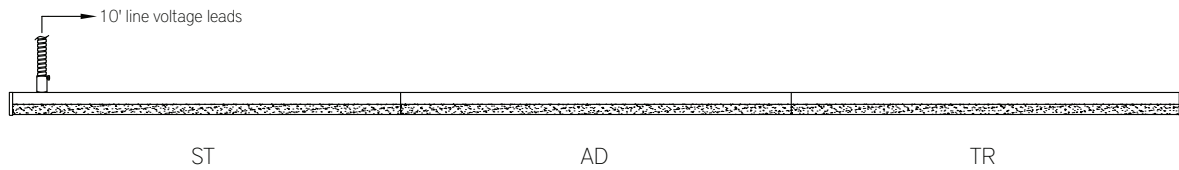
1-3/32" wide by 1-7/32" tall miniature LED luminaire

RUN INFORMATION

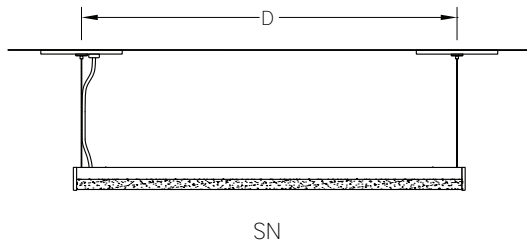
Back Plan - Surface Mount Continuous Run



Side View - Surface Mount Continuous Run



Side View - Cable Mount Single Fixture



Side View - Cable Suspended Continuous Run

