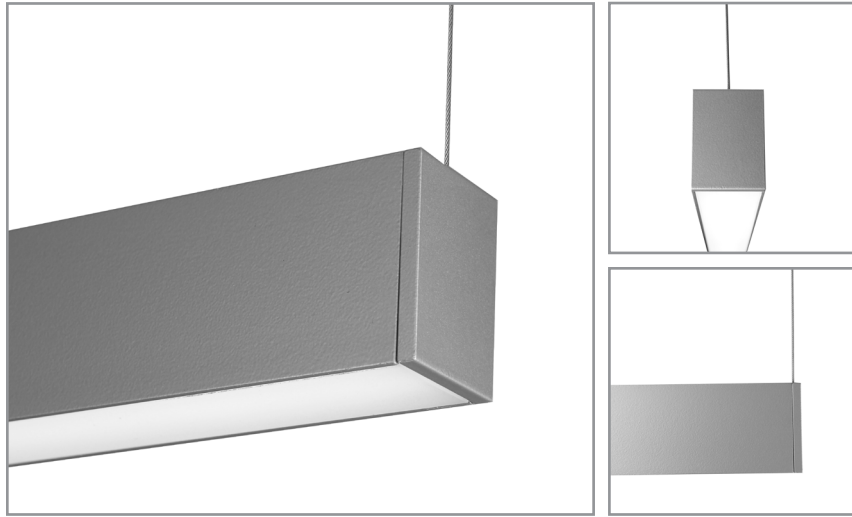


1-3/8" x 2" rectilinear LED luminaire

Project: \_\_\_\_\_ Type: \_\_\_\_\_



## FEATURES

The Grom series GRM20 is a miniature, linear architectural luminaire for general lighting use. The 1-3/8" wide by 2" tall extruded aluminum fixture is available for surface or cable mounting. An integral, miniature 0-10V dimming or non-dimming driver with multiple output options powers 90+ CRI LEDs. Extruded, frosted acrylic lenses are available in a flush and two drop profile options.

## SPECIFICATIONS

Fixture constructed of an extruded aluminum housing, extruded acrylic lens and machined aluminum end caps

Model variations offered for surface and cable suspended applications

Standard finishes as shown below

Available in nominal lengths of 2'-8' single fixtures and continuous runs

Standard integral 120-277V driver offered with 0-10V dimming or non-dim

Remote mounted emergency battery backup available (ordered separately, consult factory for details)

Performance data pending lab tests

LEDs available in 2700K, 3000K, 3500K and 4000K, within a 3 step MacAdam ellipse, all with 90+ CRI typical

Life: 50,000 hours L<sub>70</sub>

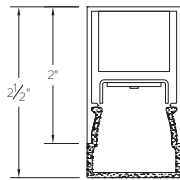
Limited five year warranty

UL and C-UL listed for dry and damp locations

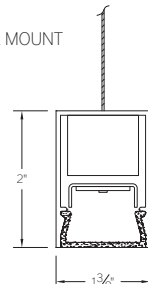
## SECTION

SURFACE MOUNT

CABLE MOUNT



Shown with Drop Lens Option



Shown with Flush Lens Option



## GRM20 -

NOMINAL FIXTURE LENGTH*	CORRELATED COLOR TEMPERATURE	DRIVER ND: non-dimming [Dimming] D: 0-10V, 1%	LIGHT OUTPUT (lumens per foot) R: regular H: high	LENS A: flush lens B: drop lens - solid end C: drop lens- illuminated end	MOUNT SM: surface mount C4: cable mount 4' cable length C8: cable mount 8' cable length CF: consult factory for custom mounting	RUN CONFIGURATION SN: single ST: starter AD: adder TR: terminator	FINISH AW: architectural white (semi-matte) WH: white (semi-gloss) BL: black (semi-matte) MB: matte black ESS: environmental satin silver BZ: bronze PR: primer CF: consult factory for custom finish SA: satin anodize (may require additional lead time)
23: 22-5/8"	27: 2700K - 90+ CRI						
28: 28-1/8"	30: 3000K - 90+ CRI						
34: 33-5/8"	35: 3500K - 90+ CRI						
39: 39-1/8"	40: 4000K - 90+ CRI						
45: 44-5/8"							
50: 50-1/8"							
56: 55-5/8"							
61: 61-1/8"							
67: 66-5/8"							
72: 72-1/8"							
78: 77-5/8"							
83: 83-1/8"							
89: 88-5/8"							
RUN #							

\* Actual dimension dependent on run configuration

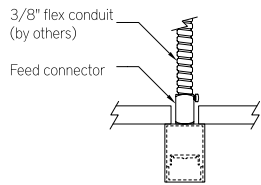
‡ Specify run length to the nearest 1". Factory will configure using the least quantity of fixtures as close to the desired run length as possible. Run to be confirmed with a shop drawing.

LENS OPTIONS

ORDERING CODE	DESCRIPTION	SPECIFICATIONS
A	FLUSH LENS	Flush frosted acrylic extrusion
B	DROP LENS - SOLID END	1/2" H frosted acrylic extrusion with full height aluminum end cap
C	DROP LENS - ILLUMINATED END	1/2" H frosted acrylic extrusion with matching acrylic end cap

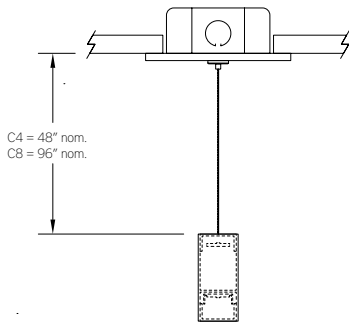
MOUNTING

ORDERING CODE	DESCRIPTION
SM	SURFACE MOUNT



Use appropriate fastener through Ø3/16" holes in housing  
Single (SN) and Starter (ST) fixtures provided with feed connector that accepts 3/8" steel flex conduit.

C4 and C8	CABLE MOUNT
-----------	-------------



Mounting option includes:

- Ø 1/32"x 48" (C4) or 96" (C8) aircraft cables
- 60" (C4) or 108" (C8) low voltage cable (in coordinating finish)
- Bracket bars
- Ø 5" white canopies
- Canopy mount cable grippers