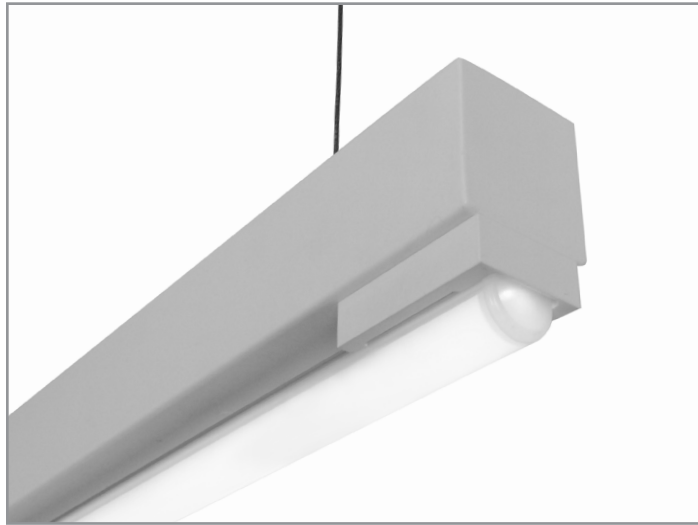


# BL6300 | BL6

Cable mount luminaire for use with Seamlessline LED lamp

Project: \_\_\_\_\_ Type: \_\_\_\_\_



## FEATURES

The BL6300 is a clean, sheet formed, cable mount luminaire designed to enhance the qualities of the Seamlessline LED lamp. The fixture is offered in a broad range of standard powder coat and stainless steel finishes and manufactured in 3'-8" nominal lengths for all available sizes of the proprietary tubular LED source. The integral driver is available with non-dim or 0-10V dimming control.

## SPECIFICATIONS

Fixture constructed of formed and welded, 20 ga. steel, chemically treated to resist corrosion and enhance paint adhesion and machined aluminum lamp socket covers

Standard finishes as shown below

Available for 34", 40", 50" and 60" nominal length Nippo Seamlessline LED lamp in single fixture, continuous run and some tandem configurations

Basic continuous run fixtures provided with 18 ga. wiring harness for 6 Amp maximum

Standard integral 120-277V driver offered with 0-10V dimming or non-dim

Integral 120-277V emergency battery backup available for non-dimming 50" and longer length fixtures

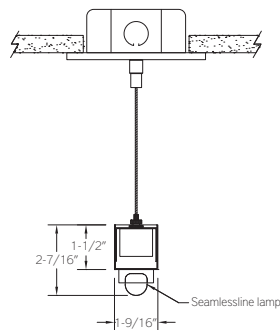
Seamlessline LED lamps ordered separately – see supplementary lamp info. sheet for details

UL and C-UL listed for dry and damp locations

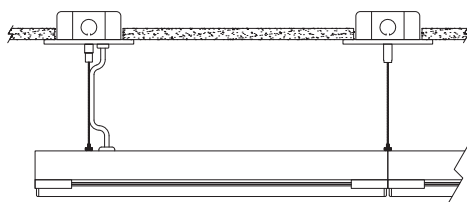
Limited five year warranty



## SECTION



## PLAN / SIDE



## PERFORMANCE

NOMINAL LENGTH	LUMENS/ft.	WATTS/ft.	LUMINAIRE LUMENS	EFFICACY
50"	412	5.4	1692	76

Note: All data reflects fixture with 3500K Seamlessline LED lamp

## BL6300 -

### FIXTURE LENGTH

34: 34-15/32"  
40: 39-13/32"  
50: 49-9/32"  
60: 59-3/32"  
4040: 78-13/16"  
5050: 98-19/32"

### DRIVER

ND: non-dimming  
D: dimming 0-10V, 6%

### MOUNT

C4: cable mount 4' cable length  
C8: cable mount 8' cable length  
CF: consult factory for custom mounting

### RUN CONFIGURATION

SN: single  
ST: starter  
AD: adder  
TR: terminator

### OPTIONS

ED: emergency driver (non-dimming 50" and longer fixtures)

### FINISH

AW: architectural white (semi-matte)  
WH: white (semi-gloss)  
BL: black (semi-matte)  
MB: matte black  
ESS: environmental satin silver  
BZ: bronze  
PR: primer  
S4: #4 brushed stainless steel  
S8: #8 polished stainless steel  
CF: consult factory for custom finish

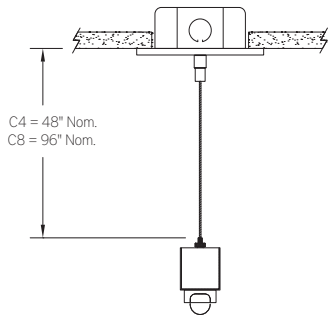
# BL6300 | BL6

Cable mount luminaire for use with Seamlessline LED lamp

## MOUNTING

ORDERING CODE

DESCRIPTION



C4 and C8

CABLE MOUNT

Mounting option includes:

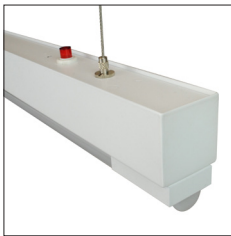
- Ø 1/16" x 48" (C4) or 96" (C8) aircraft cables
- 60" (C4) or 108" (C8) power cable (in coordinating finish)
- Bracket bars
- Ø 5" white canopies
- Ceiling couplers
- Cable grippers

## OPTIONS

ORDERING CODE

DESCRIPTION

SPECIFICATIONS



ED

EMERGENCY LED DRIVER

- Universal 120-277V input voltage emergency driver delivers initial minimum power of 10W for 90 minutes
- Available for **Non-Dimming** 50" and longer fixtures.  
**Note: remote battery backup available for shorter fixture lengths - ordered separately, consult factory for details**
- Indicator/test switch located on top of the fixture, near an end

# BL6300 | BL6

Cable mount luminaire for use with Seamlessline LED lamp

## LENGTH / MOUNTING DIMENSIONS

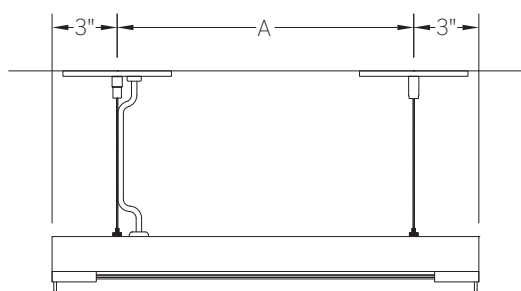
ORDERING CODE	LENGTH A	LENGTH B	LENGTH C
34	28-15/32"	31-15/32"	34-15/32"
40	33-13/32"	36-13/32"	39-13/32"
50	43-9/32"	46-9/32"	49-9/32"
60	53-3/32"	56-3/32"	59-3/32"
4040	72-13/16"	75-13/16"	78-13/16"
5050	92-19/32"	95-19/32"	98-19/32"

## RUN CONFIGURATION INFORMATION

ORDERING CODE	DESCRIPTION
SN	Single
ST	Starter
AD	Adder
TR	Terminator

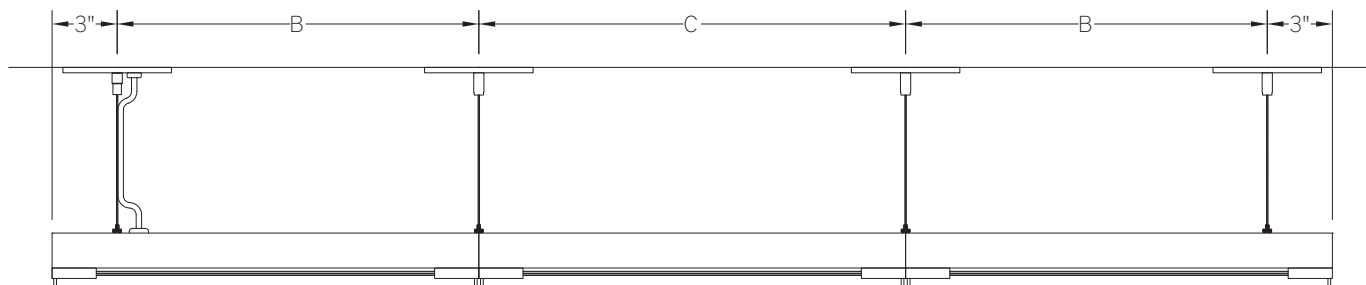
## RUN INFORMATION

Side View - Single Fixture Option



SN

Side View - Continuous Run Option



ST

AD

TR