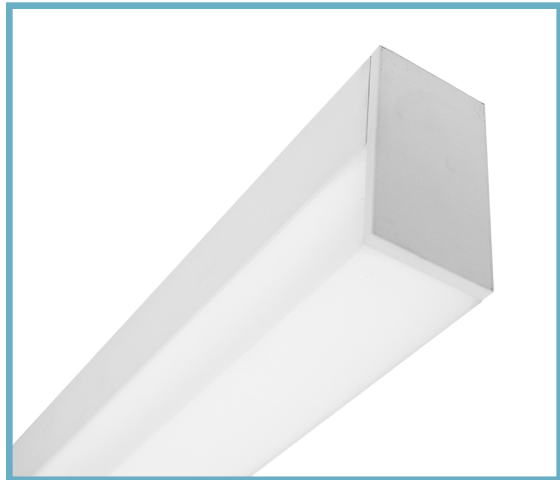


HCB07 | Swell

2-1/8" wide LED luminaire with drop lens, Illuminated by BIOS®



Project: _____ Type: _____



FEATURES

The Swell Series HCB07 is a linear LED luminaire tailored for health-centric lighting installations. The 2-1/8" wide extruded aluminum housing is fitted with a 2" tall, rectangular or rounded profile frosted acrylic lens and capped with machined aluminum end caps. The HCB07 is Controls Capable, being offered with a variety of integrated control options.

The HCB07 fixture is embedded with BIOS SkyBlue® circadian solutions to produce the healthy "blue sky" light signal needed to stimulate human circadian biology. This specific light wavelength communicates directly with human biology through a non-visual photoreceptor to regulate circadian rhythms, providing healthier sleep patterns and ultimately, better health.

SPECIFICATIONS

Fixture constructed of an extruded aluminum housing, extruded, frosted acrylic lens and machined aluminum end caps.

Model variations offered in rectangular or rounded profiles for surface and wall mount or cable suspended applications with solid or luminous end options.

Standard finishes as shown below.

Available in nominal lengths of 2'-8' single fixtures and continuous runs.

Basic continuous run fixtures provided with 18 ga. wiring harness for 6 Amp maximum load (consult factory for runs requiring multiple circuits, sensor integration, etc.).

Standard integral 120-277V driver offered with 0-10V dimming or non-dim (consult factory regarding other dimming protocols).

Integral 120-277V emergency battery backup available for 4' or 8' nominal non-dim or 0-10V (consult factory for all other lengths/drivers).

Standard light outputs are 830 and 1105 lumens per foot.

BIOS LEDs have 80+ CRI, R9 90+ and are available in static 3000K, 3500K, 4000K and two dynamic options in 2700-3000K, 2700-3500K and 2700-4000K.

Bartco Lighting Controls Capable fixture available with integrated controls from a variety of suppliers (FOR RECTANGULAR PROFILE ONLY).

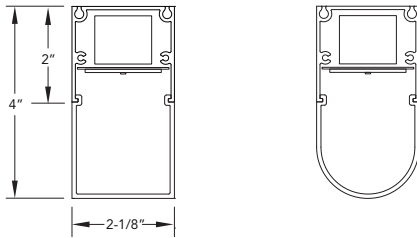
Life: 50,000 hours L₇₀.

Limited five year warranty.

UL and C-UL listed for dry and damp locations.



SECTION



PERFORMANCE

NOMINAL LENGTH	OUTPUT	LUMENS/ft.	WATTS/ft.	LUMINAIRE LUMENS	EFFICACY (LPW)
4'	R: regular	830	9.6	3088	87
	H: high	1105	13.2	4117	84

Note: All data reflects fixture with BIOS Static Spectrum 3500K LEDs and rectangular profile and solid ends.

HCB07 -

NOMINAL FIXTURE LENGTH*	CORRELATED COLOR TEMPERATURE	DRIVER	OPTIC	OPTIONS	MOUNT	FINISH
2: 22-3/4"	[BIOS static] BS30: 3000K BS35: 3500K BS40: 4000K	ND: non-dimming [Dimming] D: 0-10V, 1% DTR: triac, 1%, (120V ONLY) ** DLV: electronic low voltage, 1%, (120V ONLY) ** HES: Lutron EcoSystem, soft-on/fade-to-black, 1% ** EL: eldoLED ECOdrive 0-10V, 1% ES: eldoLED SOLOdrive 0-10V, 0.1% ELD: eldoLED ECOdrive DALI, 1% ** ESD: eldoLED SOLOdrive DALI, 0.1% **	A: rectangular profile – solid end B: rectangular profile – luminous end C: rounded profile – solid end D: rounded profile – luminous end	ED: emergency driver (4' or 8' nom. non-dim or 0-10V only) WS1A: Wattstopper FS-205, 100%-0% ‡ WS1B: Wattstopper FS-205, 100%-50% ‡ EN1: Enlighted FS-D22 ‡ ES4: Philips EasySense SNS211 MC ‡ CA1: Casambi CBU-A2D ‡ NL1: nLight RES7 ‡ NL2: nLight RIO ‡ LA1: Lutron Athena A-WN-D01-RF-WH ‡ LA2: Lutron Athena A-WN-D01-OCC-WH ‡	SM: surface mount WD: wall mount - direct C4: cable mount 4' cable length C8: cable mount 8' cable length CF: consult factory for custom mounting	AW: architectural white (semi-matte) WH: white (semi-gloss) BL: black (semi-matte) MB: matte black ESS: environmental satin silver BZ: bronze PR: primer CF: consult factory for custom finish SA: satin anodize (may require additional lead time)
3: 33-3/4"						
4: 44-3/4"						
5: 55-3/4"						
6: 66-3/4"	[BIOS dynamic] BD30: 2700K-3000K BD35: 2700K-3500K BD40: 2700K-4000K					
7: 77-3/4"	[BIOS dynamic TW] BDTW30: 2700K-3000K BDTW35: 2700K-3500K BDTW40: 2700K-4000K					
8: 88-3/4"						
			LIGHT OUTPUT (lumens per foot) R: regular – 830 H: high – 1105 CF: consult factory for custom output		RUN CONFIGURATION SN: single ST: starter AD: adder TR: terminator	

* Actual dimension dependent on run configuration.

** Consult factory for dimming protocols other than 0-10V.

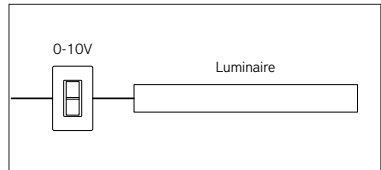
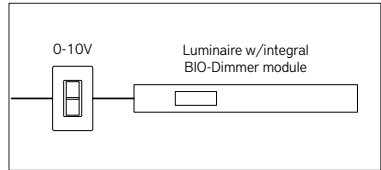
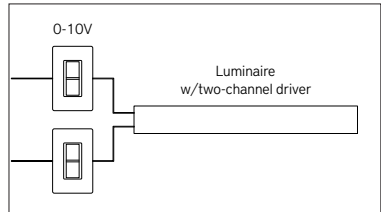
‡ See Integrated Controls section for driver compatibility information.

HCB07 | Swell

2-1/8" wide LED luminaire with drop lens, Illuminated by BIOS®

CORRELATED COLOR TEMPERATURE

Consult factory for specifics when using dimming protocols other than 0-10V.
For additional information about BIOS LED modules, visit www.bartcolighting.com/series/swell/

ORDERING CODE	MODULE TYPE	LIGHT EFFECT	CONTROL METHOD	
BS30 BS35 BS40	BIOS Static	<ul style="list-style-type: none"> Static color temperature 490nm SkyBlue® LED is always on. 	<ul style="list-style-type: none"> Non-dimming or 0-10V No BIO-Dimming module required 	
BD30 BD35 BD40	BIOS Dynamic	<ul style="list-style-type: none"> 490nm SkyBlue® LED can be BIO dimmed out with most driver/dimmer combinations. 490nm SkyBlue® wavelengths removed through first 20% of dimming range, followed by a CCT transition to 2700K. 	<ul style="list-style-type: none"> 0-10V Includes integral Bio-Dimming module 	
BDTW30 BDTW35 BDTW40	BIOS Dynamic Tunable White	<ul style="list-style-type: none"> CCT and Light output can be controlled separately with appropriate driver. 3000K, 3500K and 4100K modules all transition to 2700K when dimmed. 	<ul style="list-style-type: none"> 0-10V two-channel driver No BIO-Dimming module required 	

HCB07 | Swell

2-1/8" wide LED luminaire with drop lens, Illuminated by BIOS®

OPTIC	ORDERING CODE	DESCRIPTION	SPECIFICATIONS
	A	RECTANGULAR SOLID END	Rectangular profile with full height aluminum end cap.
	B	RECTANGULAR LUMINOUS END	Rectangular profile with aluminum end cap and frosted acrylic lens end.
	C	ROUNDED SOLID END	Rounded profile with full height aluminum end cap.
	D	ROUNDED LUMINOUS END	Rounded profile with aluminum end cap and frosted acrylic lens end.

OPTIONS	ORDERING CODE	DESCRIPTION	SPECIFICATIONS
	ED	EMERGENCY LED DRIVER	<ul style="list-style-type: none"> • Universal 120-277V input voltage emergency driver delivers initial minimum power of 10W for 90 minutes. • Available for 4' or 8' nominal length non-dim or 0-10V fixture only (consult factory for all other lengths/drivers).

OPTIONS - INTEGRATED CONTROLS

Note: Control option takes up 4" of the overall lens length. **AVAILABLE FOR RECTANGULAR PROFILE OPTION ONLY.** For "A" and "B" optic option, controls are mounted to 1" H sheet formed cover that conforms to the lens profile.



	ORDERING CODE	LIGHT OUTPUT SETTING	MODEL	CONTROL PROTOCOL	FUNCTIONS	COMPATIBLE DRIVERS
 WATTSTOPPER®	WS1A	100% – 0% ¹	FS-205	N/A	PIR occupancy and light level sensor.	For use with on/off or 0-10V dimming drivers only.
	WS1B	100% – 50% ¹				
	EN1	Set during commissioning	FS-D22	Bluetooth Wireless	PIR occupancy, ambient light sensing, daylight harvesting, and environment monitoring for use within an Enlighted control network.	Provided with Advance sensor ready series 0-10V dimming drivers.
 EasySense	ES4	Set during commissioning	SNS211 MC	Bluetooth Wireless	Occupancy, daylight harvesting and task tuning sensor with advance grouping, for use within a MasterConnect network.	Provided with Advance sensor ready series 0-10V dimming drivers.
	CA1	Set during commissioning	CBU-A2D	Bluetooth Wireless	0-10V/DALI driver controller, for use within a Casambi ecosystem.	For use with 0-10V or DALI drivers. Consult factory for details.
	NL1	Set during commissioning	RES7 ²	Radio Wireless	Dimming, PIR occupancy detection and daylight harvesting, for use within an nLight AIR network.	Provided with Advance sensor ready series or eldoLED 0-10V drivers.
	NL2		RIO ²		Dimming, for use within an nLight AIR network.	
	LA1	Set during commissioning	A-WN-D01-RF-WH	Radio Wireless	Dimming only for use with an Athena control system.	Provided with Advance sensor ready series or eldoLED 0-10V or eldoLED DALI-2 drivers.
	LA2		A-WN-D01-OCC-WH		Dimming, PIR occupancy and daylight sensor for use with an Athena control system.	

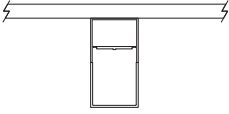
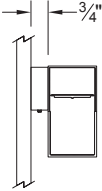
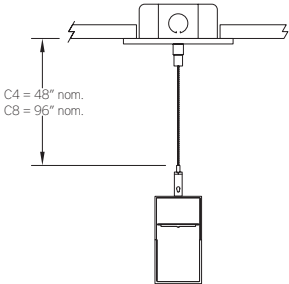
1. Consult factory for custom light output setting.

2. Consult your Acuity representative for application-specific model number.

HCB07 | Swell

2-1/8" wide LED luminaire with drop lens, Illuminated by BIOS®

MOUNTING

	ORDERING CODE	DESCRIPTION
	SM	<p>SURFACE MOUNT</p> <p>Use appropriate fastener through \varnothing 3/16" holes in housing</p>
	WD	<p>WALL MOUNT – DIRECT ORIENTATION</p> <ul style="list-style-type: none"> 1-7/8" H x 4-1/2" W sheet aluminum bracket projects the fixture housing 3/4" from the wall surface
	C4 and C8	<p>CABLE MOUNT</p> <p>Mounting option includes:</p> <ul style="list-style-type: none"> \varnothing 1/16" x 48" (C4) or 96" (C8) aircraft cables 60" (C4) or 108" (C8) power cable (in coordinating finish) Bracket bars \varnothing 5" white canopies Ceiling couplers Side exit cable grippers

HCB07 | Swell

2-1/8" wide LED luminaire with drop lens, Illuminated by BIOS®

LENGTH / MOUNTING DIMENSIONS

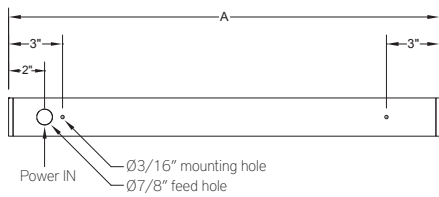
ORDERING CODE	LENGTH A	LENGTH B	LENGTH C	LENGTH D	LENGTH E
2	22-3/4"	22-1/2"	22-1/4"	16-3/4"	19-1/2"
3	33-3/4"	33-1/2"	33-1/4"	27-3/4"	30-1/2"
4	44-3/4"	44-1/2"	44-1/4"	38-3/4"	41-1/2"
5	55-3/4"	55-1/2"	55-1/4"	49-3/4"	52-1/2"
6	66-3/4"	66-1/2"	66-1/4"	60-3/4"	63-1/2"
7	77-3/4"	77-1/2"	77-1/4"	71-3/4"	74-1/2"
8	88-3/4"	88-1/2"	88-1/4"	82-3/4"	85-1/2"

RUN CONFIGURATION INFORMATION

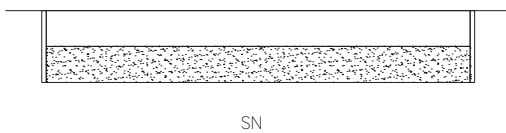
ORDERING CODE	DESCRIPTION
SN	Single
ST	Starter
AD	Adder
TR	Terminator

RUN INFORMATION

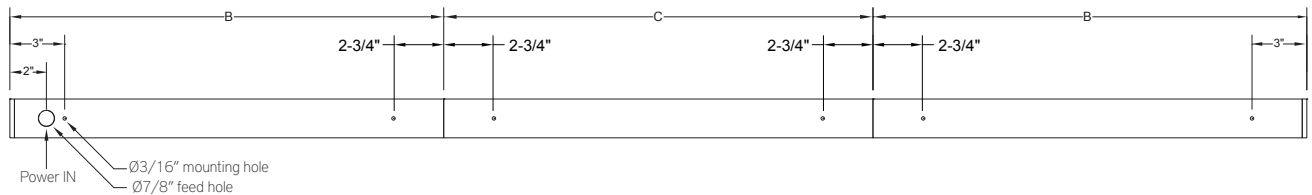
Back Plan - Surface Mount Single Fixture Option



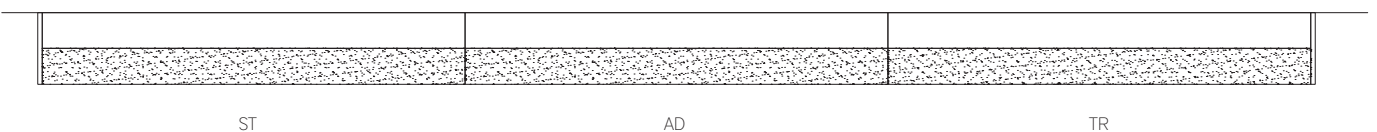
Side View - Surface Mount Single Fixture Option



Back Plan - Surface Mount Continuous Run Option



Side View - Surface Mount Continuous Run Option

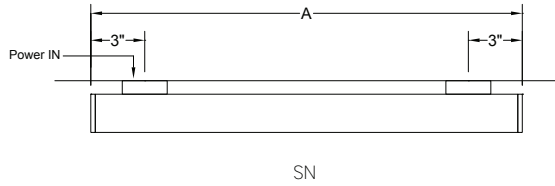


HCB07 | Swell

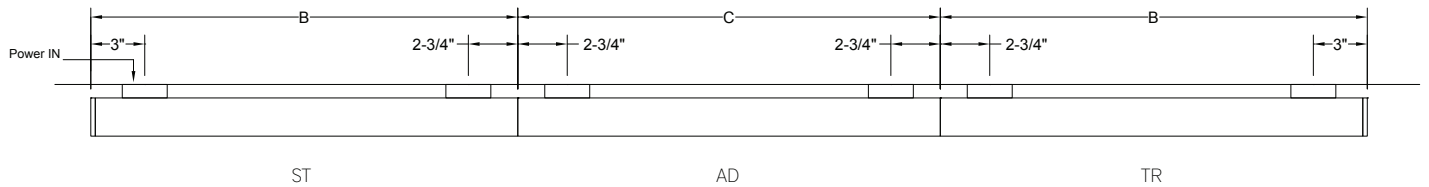
2-1/8" wide LED luminaire with drop lens, Illuminated by BIOS®

RUN INFORMATION

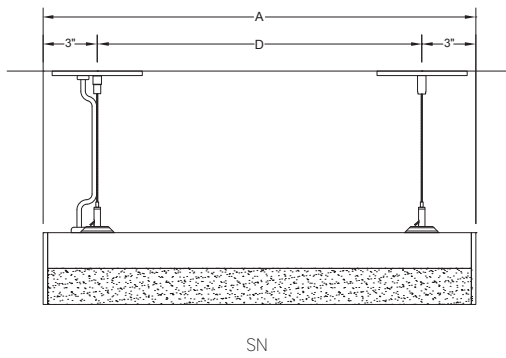
Plan - Wall Mount Single Fixture Option



Plan - Wall Mount Continuous Run Option



Side View - Cable Mount Single Fixture Option



Side View - Cable Mount Continuous Run Option

