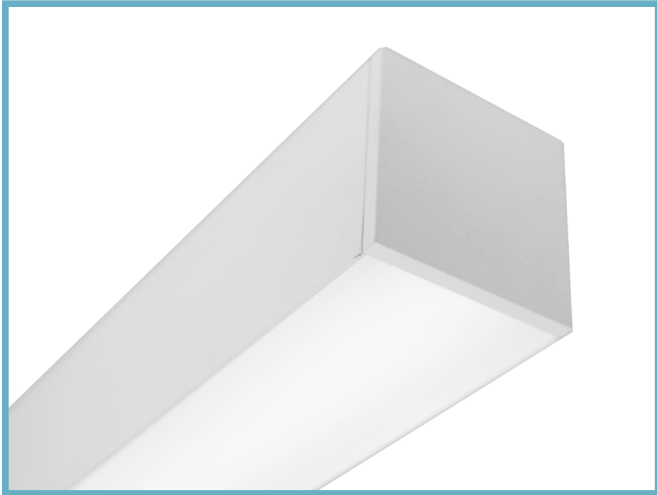


HCB02 | Swell

3" square LED luminaire with flush lens, Illuminated by BIOS®



Project: _____ Type: _____



FEATURES

The Swell Series HCB02 is a linear LED luminaire tailored for health-centric lighting installations. The 3" square extrusion is fitted with a flush, frosted lens and machined aluminum end caps.

The HCB02 fixture is embedded with BIOS SkyBlue® circadian solutions to produce the healthy "blue sky" light signal needed to stimulate human circadian biology. This specific light wavelength communicates directly with human biology through a non-visual photoreceptor to regulate circadian rhythms, providing healthier sleep patterns and ultimately, better health.

SPECIFICATIONS

Fixture constructed of an extruded aluminum housing, extruded, frosted acrylic lens and machined aluminum end caps

Model variations offered for surface, wall mount and cable suspended applications

Standard finishes as shown below

Available in nominal lengths of 2'-8' single fixtures and continuous runs

Basic continuous run fixtures provided with 18 ga. wiring harness for 6 Amp maximum load (consult factory for runs requiring multiple circuits, sensor integration, etc.)

Standard integral 120-277V driver offered with 0-10V dimming or non-dim

Integral 120-277V emergency battery backup available for 4' or 8' nominal non-dim or 0-10V (consult factory for all other lengths/drivers)

Standard light outputs are 705 and 940 lumens per foot

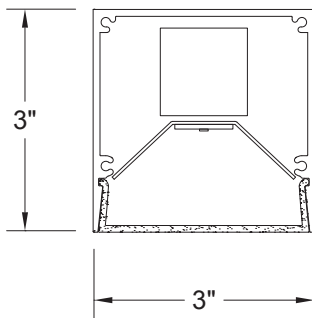
BIOS LEDs have 80+ CRI, R9 90+ and are available in static 3000K, 3500K, 4000K and two dynamic options in 2700-3000K, 2700-3500K and 2700-4000K

Life: 50,000 hours L₇₀

Limited five year warranty

UL and C-UL listed for dry and damp locations

SECTION



PERFORMANCE

NOMINAL LENGTH	OUTPUT	LUMENS/ft.	WATTS/ft.	LUMINAIRE LUMENS	EFFICACY (LPW)
4'	R: regular	705	9.6	2628	74
	H: high	940	13.2	3504	71

Note: All data reflects fixture with BIOS Static Spectrum 3500K LEDs



HCB02 -

NOMINAL FIXTURE LENGTH*

- 2: 22-3/4"
- 3: 33-3/4"
- 4: 44-3/4"
- 5: 55-3/4"
- 6: 66-3/4"
- 7: 77-3/4"
- 8: 88-3/4"

CORRELATED COLOR TEMPERATURE

[BIOS static]

- BS30: 3000K
- BS35: 3500K
- BS40: 4000K

[BIOS dynamic]

- BD30: 2700K-3000K
- BD35: 2700K-3500K
- BD40: 2700K-4000K

[BIOS dynamic TW]

- BDTW30: 2700K-3000K
- BDTW35: 2700K-3500K
- BDTW40: 2700K-4000K

DRIVER

- ND: non-dimming
- [Dimming]**
- D: 0-10V, 1%

LIGHT OUTPUT (lumens per foot)

- R: regular - 705
- H: high - 940
- CF: consult factory for custom output

MOUNT

- SM: surface mount
- WD: wall mount - direct
- WI: wall mount - indirect
- C4: cable mount 4' cable length
- C8: cable mount 8' cable length

RUN CONFIGURATION

- SN: single
- ST: starter
- AD: adder
- TR: terminator

OPTIONS

- ED: emergency driver (4' or 8' non-dim or 0-10V only)
- S1A: occ sensor pos.1, 100%-0% ‡
- S1B: occ sensor pos.1, 100%-50% ‡
- S2A: occ sensor pos.2, 100%-0% ‡
- S2B: occ sensor pos.2, 100%-50% ‡
- S3A: occ sensor pos.3, 100%-0% ‡
- S3B: occ sensor pos.3, 100%-50% ‡

FINISH

- AW: architectural white (semi-matte)
- WH: white (semi-gloss)
- BL: black (semi-matte)
- MB: matte black
- ESS: environmental satin silver
- BZ: bronze
- PR: primer
- CF: consult factory for custom finish
- SA: satin anodize (may require additional lead time)

* Actual dimension dependent on run configuration and sensor option
‡ See options section for details

HCB02 | Swell

3" square LED luminaire with flush lens, Illuminated by BIOS®

CORRELATED COLOR TEMPERATURE

Consult factory for specifics when using dimming protocols other than 0-10V.
For additional information about BIOS LED modules, visit www.bartcolighting.com/series/swell/

ORDERING CODE	MODULE TYPE	LIGHT EFFECT	CONTROL METHOD	
BS30 BS35 BS40	BIOS Static	<ul style="list-style-type: none"> Static color temperature 490nm SkyBlue® LED is always on 	<ul style="list-style-type: none"> Non-dimming or 0-10V No BIO-Dimming module required 	
BD30 BD35 BD40	BIOS Dynamic	<ul style="list-style-type: none"> 490nm SkyBlue® LED can be BIO dimmed out with most driver/dimmer combinations 490nm SkyBlue® wavelengths removed through first 20% of dimming range, followed by a CCT transition to 2700K 	<ul style="list-style-type: none"> 0-10V Includes integral Bio-Dimming module 	
BDTW30 BDTW35 BDTW40	BIOS Dynamic Tunable White	<ul style="list-style-type: none"> CCT and Light output can be controlled separately with appropriate driver 3000K, 3500K and 4100K modules all transition to 2700K when dimmed. 	<ul style="list-style-type: none"> 0-10V two-channel driver No BIO-Dimming module required 	

HCB02 | Swell

3" square LED luminaire with flush lens, Illuminated by BIOS®

MOUNTING

	ORDERING CODE	DESCRIPTION
	SM	<p>SURFACE MOUNT</p> <p>Use appropriate fastener through $\varnothing 3/16$" holes in housing</p>
	WD	<p>WALL MOUNT – DIRECT ORIENTATION</p> <p>Mounting option includes:</p> <ul style="list-style-type: none"> • 1-7/8" H x 4-1/2" W aluminum bracket projects the fixture housing 3/4" from the wall surface
	WI	<p>WALL MOUNT – INDIRECT ORIENTATION</p> <p>Mounting option includes:</p> <ul style="list-style-type: none"> • 1-7/8" H x 4-1/2" W aluminum bracket projects the fixture housing 3/4" from the wall surface
	C4 and C8	<p>CABLE MOUNT</p> <p>Mounting option includes:</p> <ul style="list-style-type: none"> • $\varnothing 1/16$" x 48" (C4) or 96" (C8) aircraft cables • 60" (C4) or 108" (C8) power cable (in coordinating finish) • Bracket bars • $\varnothing 5$" white canopies • Ceiling couplers • Side exit cable grippers

OPTIONS

ORDERING CODE	DESCRIPTION	SPECIFICATIONS
ED	EMERGENCY LED DRIVER	<ul style="list-style-type: none"> • Universal 120-277V input voltage emergency driver delivers initial minimum power of 10W for 90 minutes • Available for 4' or 8' nominal length non-dim or 0-10V fixture only (consult factory for all other lengths/drivers) • Indicator light/test switch located on housing side for surface mount and upper side for cable suspended mount

OCCUPANCY SENSOR

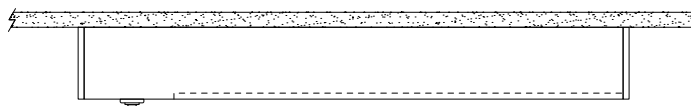
- Passive infrared occupancy sensor with hold-off daylighting adjustment (10-120 foot candles) and time delay adjustment from 30 seconds to 30 minutes
- Sensor adds 4" to overall fixture length
- Consult factory for custom output

S1A Occupancy sensor – position 1, 100% – 0%

Sensor located on the top at an end, with 100% – 0% light output setting

S1B Occupancy sensor – position 1, 100% – 50%

Sensor located on the top at an end, with 100% – 50% light output setting

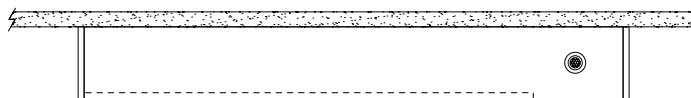


S2A Occupancy sensor – position 2, 100% – 0%

Sensor located on the side at the **right** end, with 100% – 0% light output setting

S2B Occupancy sensor – position 2, 100% – 50%

Sensor located on the side at the **right** end, with 100% – 50% light output setting

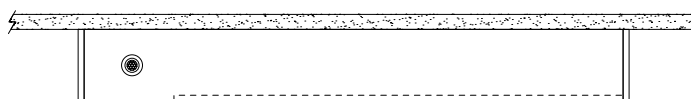


S3A Occupancy sensor – position 3, 100% – 0%

Sensor located on the side at the **left** end, with 100% – 0% light output setting

S3B Occupancy sensor – position 3, 100% – 50%

Sensor located on the side at the **left** end, with 100% – 50% light output setting



HCB02 | Swell

3" square LED luminaire with flush lens, Illuminated by BIOS®

LENGTH/MOUNTING DIMENSIONS

ORDERING CODE	LENGTH A*	LENGTH B*	LENGTH C*	LENGTH D*	LENGTH E*
2	22-3/4"	22-1/2"	22-1/4"	16-3/4"	19-1/2"
3	33-3/4"	33-1/2"	33-1/4"	27-3/4"	30-1/2"
4	44-3/4"	44-1/2"	44-1/4"	38-3/4"	41-1/2"
5	55-3/4"	55-1/2"	55-1/4"	49-3/4"	52-1/2"
6	66-3/4"	66-1/2"	66-1/4"	60-3/4"	63-1/2"
7	77-3/4"	77-1/2"	77-1/4"	71-3/4"	74-1/2"
8	88-3/4"	88-1/2"	88-1/4"	82-3/4"	85-1/2"

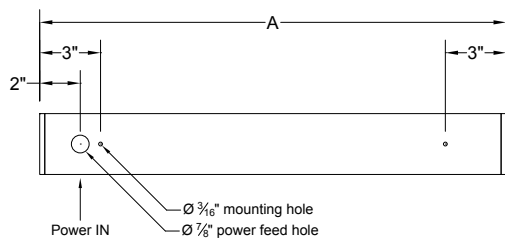
* Add 4" to dimension for any fixture using the S1, S2 or S3 occupancy sensor option

RUN CONFIGURATION INFORMATION

ORDERING CODE	DESCRIPTION
SN	Single
ST	Starter
AD	Adder
TR	Terminator

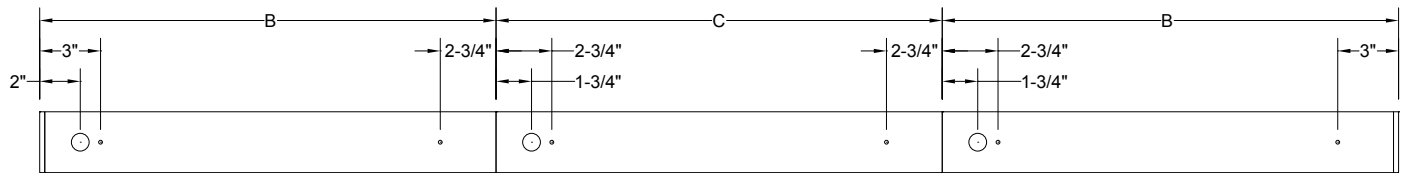
RUN INFORMATION

Back Plan - Surface Mount Single Fixture Option



SN

Back Plan - Surface Mount Continuous Run Option

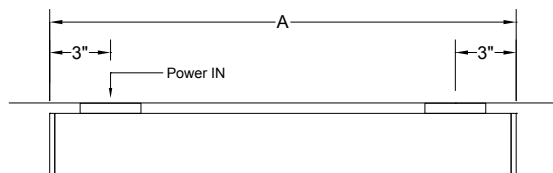


ST

AD

TR

Plan - Wall Mount Single Fixture Option



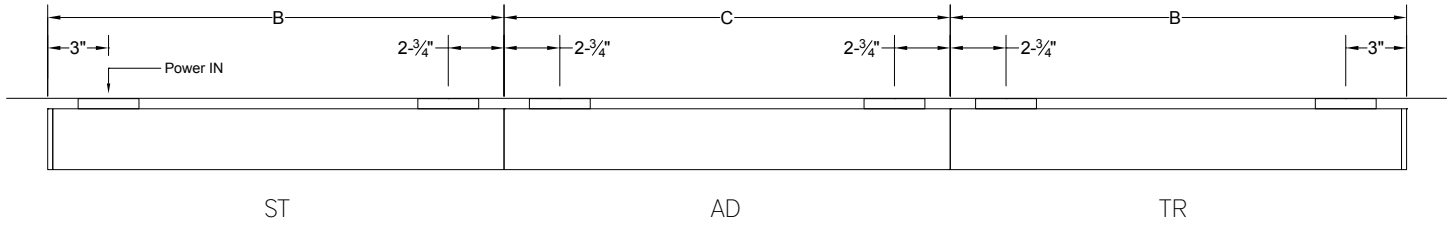
SN

HCB02 | Swell

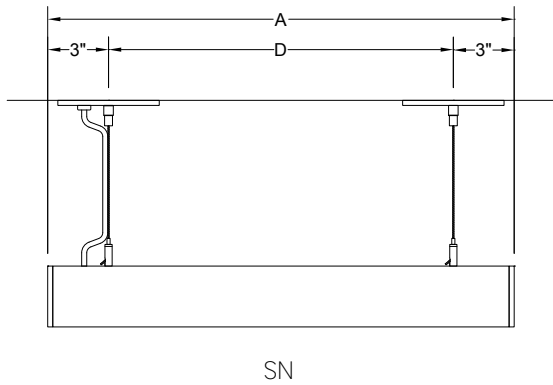
3" square LED luminaire with flush lens, Illuminated by BIOS®

RUN INFORMATION

Plan - Wall Mount Continuous Fixture Option



Side View - Cable Mount Single Fixture Option



Side View - Cable Mount Continuous Run Option

