

HCB02 | Swell™ GENERAL INFORMATION



3" square rectilinear LED luminaire with flush lens, Illuminated by BIOS®

Project: _____ Type: _____



FEATURES

The HCB02 is a linear LED luminaire tailored for health-centric lighting installations. The 3" square extrusion is fitted with a flush, frosted lens and machined aluminum end caps.

The HCB02 fixture is embedded with BIOS SkyBlue® circadian solutions to produce the healthy "blue sky" light signal needed to stimulate human circadian biology. This specific light wavelength communicates directly with human biology through a non-visual photoreceptor to regulate circadian rhythms, providing healthier sleep patterns and ultimately, better health.

SPECIFICATIONS

Fixture constructed of an extruded aluminum housing, extruded, frosted acrylic lens and machined aluminum end caps
Model variations offered for surface, wall mount and cable suspended applications

Standard finishes as shown below

Available in nominal lengths of 2', 4', 6' and 8' single fixtures and continuous runs

Basic continuous run fixtures provided with 18 ga. wiring harness for 6 Amp maximum load (consult factory for runs requiring multiple circuits, sensor integration, etc.)

Standard integral 120-277V driver offered with 0-10V dimming or non-dim

Integral 120-277V emergency battery backup available for 4' or 8' nominal non-dim or 0-10V (consult factory for all other lengths/drivers)

Standard light outputs are 650 and 860 lumens per foot

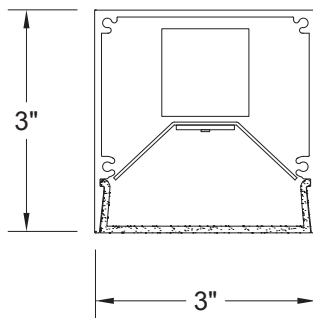
BIOS Static Spectrum or Dynamic LEDs available in 3000K, 3500K and 4000K, with a CRI of 80+ to 90 depending on color

Life: 50,000 hours L₇₀

Limited five year warranty

UL and C-UL listed for dry and damp locations

SECTION



PERFORMANCE

NOMINAL LENGTH	OUTPUT	LUMENS/ft.	WATTS/ft.	LUMINAIRE LUMENS	EFFICACY (LPW)
4'	R: regular	650	9.6	2433	68
	H: high	860	13.4	3214	64

Note: All data reflects fixture with BIOS Static Spectrum 3500K LEDs



HCB02 -

NOMINAL FIXTURE LENGTH*	CORRELATED COLOR TEMPERATURE	DRIVER	LIGHT OUTPUT (lumens per foot)	MOUNT	RUN CONFIGURATION	FINISH
2: 22-3/4"	[BIOS static]	ND: non-dimming [Dimming]	R: regular - 650 H: high - 860 CF: consult factory for custom output	SM: surface mount WD: wall mount - direct WI: wall mount - indirect C4: cable mount 4' cable length C8: cable mount 8' cable length	SN: single ST: starter AD: adder TR: terminator	AW: architectural white (semi-matte) WH: white (semi-gloss) BL: black (semi-matte) MB: matte black ESS: environmental satin silver BZ: bronze PR: primer CF: consult factory for custom finish SA: satin anodize (may require additional lead time)
4: 44-3/4"	BS30: 3000K-85 CRI	D: 0-10V, 1%				
6: 66-3/4"	BS35: 3500K-85 CRI					
8: 88-3/4"	BS40: 4000K-90 CRI [BIOS dynamic] BD30: 3000K-83 CRI BD35: 3500K-83 CRI BD40: 4000K-83 CRI					

OPTIONS

ED: emergency driver (4' or 8' non-dim or 0-10V only)
S1: occ sensor pos.1 (see options section)
S2: occ sensor pos.2 (see options section)
S3: occ sensor pos.3 (see options section)

* Actual dimension dependent on run configuration

MOUNTING

	ORDERING CODE	DESCRIPTION
	SM	<p>SURFACE MOUNT</p> <p>Use appropriate fastener through $\varnothing 3/16"$ holes in housing</p>
	WD	<p>WALL MOUNT – DIRECT ORIENTATION</p> <p>Mounting option includes:</p> <ul style="list-style-type: none"> • 1-7/8" H x 2-1/2" W aluminum bracket projects the fixture housing 3/4:" from the wall surface
	WI	<p>WALL MOUNT – INDIRECT ORIENTATION</p> <p>Mounting option includes:</p> <ul style="list-style-type: none"> • 1-7/8" H x 2-1/2" W aluminum bracket projects the fixture housing 3/4:" from the wall surface
	C4 and C8	<p>CABLE MOUNT</p> <p>Mounting option includes:</p> <ul style="list-style-type: none"> • $\varnothing 1/16"$ x 48" (C4) or 96" (C8) aircraft cables • 60" (C4) or 108" (C8) power cable (in coordinating finish) • Bracket bars • $\varnothing 5"$ white canopies • Ceiling couplers • Side exit cable grippers

OPTIONS

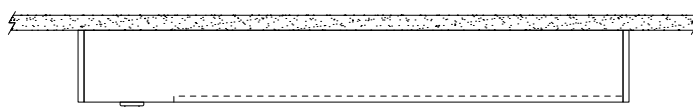
ORDERING CODE	DESCRIPTION	SPECIFICATIONS
ED	EMERGENCY LED DRIVER	<ul style="list-style-type: none"> • Universal 120-277V input voltage emergency driver delivers initial minimum power of 10W for 90 minutes • Available for 4' or 8' nominal length non-dim or 0-10V fixture only (consult factory for all other lengths/drivers) • Indicator light/test switch located on housing side for surface mount and upper side for cable suspended mount

OCCUPANCY SENSOR

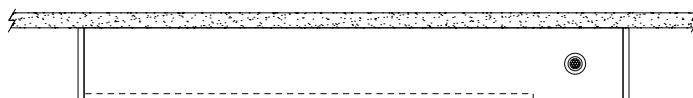
Passive infrared occupancy sensor with hold-off day-lighting adjustment (10-120 foot candles) and time delay adjustment from 30 seconds to 30 minutes

Sensor adds 4" to overall fixture length

S1	OCCUPANCY SENSOR - POSITION 1	Sensor located on the lens side at an end
----	-------------------------------	---



S2	OCCUPANCY SENSOR - POSITION 2	Sensor located on the housing side at the right end
----	-------------------------------	--



S3	OCCUPANCY SENSOR - POSITION 3	Sensor located on the housing side at the left end
----	-------------------------------	---

