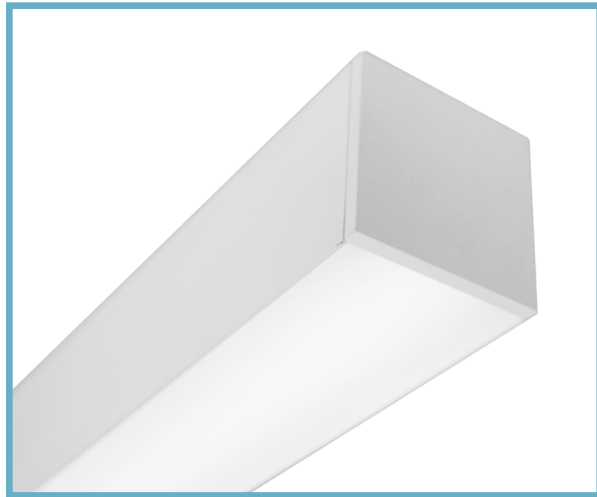


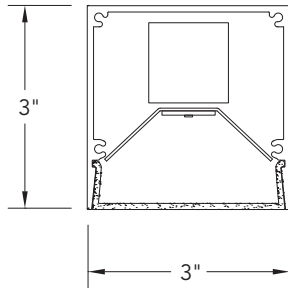
HCB02 | Swell

3" square LED luminaire with flush lens, Illuminated by BIOS®

Project: _____ Type: _____



SECTION



PERFORMANCE

Note: All data reflects fixture with BIOS Static Spectrum 3500K LEDs.

NOMINAL LENGTH	OUTPUT	LUMENS/ft.	WATTS/ft.	LUMINAIRE LUMENS	EFFICACY (LPW)
4'	R: regular	705	9.6	2628	74
	H: high	940	13.2	3504	71

HCB02 -

NOMINAL FIXTURE LENGTH* 2: 22-3/4" 3: 33-3/4" 4: 44-3/4" 5: 55-3/4" 6: 66-3/4" 7: 77-3/4" 8: 88-3/4"	CORRELATED COLOR TEMPERATURE [BIOS static] BS30: 3000K BS35: 3500K BS40: 4000K [BIOS dynamic] BD30: 2700K-3000K BD35: 2700K-3500K BD40: 2700K-4000K [BIOS dynamic TW] BDTW30: 2700K-3000K BDTW35: 2700K-3500K BDTW40: 2700K-4000K	DRIVER ND: non-dimming [Dimming] D: 0-10V, 1% DTR: triac, 1%, (120V ONLY) ** DLV: electronic low voltage, 1%, (120V ONLY) ** HES: Lutron EcoSystem, soft-on/fade-to-black, 1% ** EL: eldoLED ECOdrive 0-10V, 1% ES: eldoLED SOLOdrive 0-10V, 0.1% ELD: eldoLED ECOdrive DALI, 1% ** ESD: eldoLED SOLOdrive DALI, 0.1% **	LIGHT OUTPUT (lumens per foot) R: regular – 705 H: high – 940 CF: consult factory for custom output	MOUNT SM: surface mount WD: wall mount – direct WI: wall mount – indirect C4: cable mount 4' cable length C8: cable mount 8' cable length	OPTIONS ED: emergency driver (4' or 8' nom. non-dim or 0-10V only) WS1A: Wattstopper FS-205, 100%-0% ‡ WS1B: Wattstopper FS-205, 100%-50% ‡ EN1: Enlighted FS-D22 ‡ ES4: Philips EasySense SNS211 MC ‡ CA1: Casambi CBU-A2D ‡ NL1: nLight RES7 ‡ NL2: nLight RIO ‡ LA1: Lutron Athena A-WN-D01-RF-WH ‡ LA2: Lutron Athena A-WN-D01-OCC-WH ‡	FINISH AW: architectural white (semi-matte) WH: white (semi-gloss) BL: black (semi-matte) MB: matte black ESS: environmental satin silver BZ: bronze PR: primer CF: consult factory for custom finish SA: satin anodize (may require additional lead time)
RUN CONFIGURATION SN: single ST: starter AD: adder TR: terminator						

* Actual dimension dependent on run configuration.
 ** Consult factory for dimming protocols other than 0-10V.
 ‡ See Integrated Controls section for driver compatibility information.

FEATURES

The Swell Series HCB02 is a linear LED luminaire tailored for health-centric lighting installations. The 3" square extrusion is fitted with a flush, frosted lens and machined aluminum end caps. The HCB02 is Controls Capable, being offered with a variety of integrated control options.

The HCB02 fixture is embedded with BIOS SkyBlue® circadian solutions to produce the healthy "blue sky" light signal needed to stimulate human circadian biology. This specific light wavelength communicates directly with human biology through a non-visual photoreceptor to regulate circadian rhythms, providing healthier sleep patterns and ultimately, better health.

SPECIFICATIONS

Fixture constructed of an extruded aluminum housing, extruded, frosted acrylic lens and machined aluminum end caps.

Model variations offered for surface, wall mount and cable suspended applications.

Standard finishes as shown below.

Available in nominal lengths of 2'-8' single fixtures and continuous runs.

Basic continuous run fixtures provided with 18 ga. wiring harness for 6 Amp maximum load (consult factory for runs requiring multiple circuits, sensor integration, etc.).

Standard integral 120-277V driver offered with 0-10V dimming or non-dim (consult factory regarding other dimming protocols).

Integral 120-277V emergency battery backup available for 4' or 8' nominal non-dim or 0-10V (consult factory for all other lengths/drivers).

Standard light outputs are 705 and 940 lumens per foot.

BIOS LEDs have 80+ CRI, R9 90+ and are available in static 3000K, 3500K, 4000K and two dynamic options in 2700-3000K, 2700-3500K and 2700-4000K.

Bartco Lighting Controls Capable fixture available with integrated controls from a variety of suppliers.

Life: 50,000 hours L₇₀.

Limited five year warranty.

UL and C-UL listed for dry and damp locations.

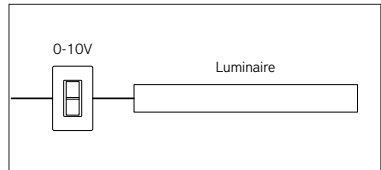
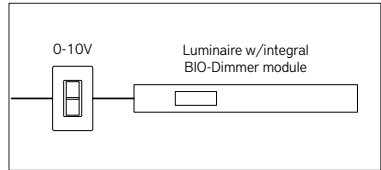
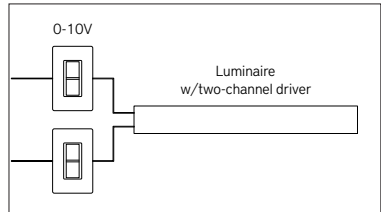


HCB02 | Swell

3" square LED luminaire with flush lens, Illuminated by BIOS®

CORRELATED COLOR TEMPERATURE

Consult factory for specifics when using dimming protocols other than 0-10V.
For additional information about BIOS LED modules, visit www.bartcolighting.com/series/swell/

ORDERING CODE	MODULE TYPE	LIGHT EFFECT	CONTROL METHOD	
BS30 BS35 BS40	BIOS Static	<ul style="list-style-type: none"> • Static color temperature • 490nm SkyBlue® LED is always on. 	<ul style="list-style-type: none"> • Non-dimming or 0-10V • No BIO-Dimming module required 	
BD30 BD35 BD40	BIOS Dynamic	<ul style="list-style-type: none"> • 490nm SkyBlue® LED can be BIO dimmed out with most driver/dimmer combinations. • 490nm SkyBlue® wavelengths removed through first 20% of dimming range, followed by a CCT transition to 2700K. 	<ul style="list-style-type: none"> • 0-10V • Includes integral Bio-Dimming module 	
BDTW30 BDTW35 BDTW40	BIOS Dynamic Tunable White	<ul style="list-style-type: none"> • CCT and Light output can be controlled separately with appropriate driver. • 3000K, 3500K and 4100K modules all transition to 2700K when dimmed. 	<ul style="list-style-type: none"> • 0-10V two-channel driver • No BIO-Dimming module required 	

HCB02 | Swell

3" square LED luminaire with flush lens, Illuminated by BIOS®

MOUNTING

	ORDERING CODE	DESCRIPTION
	SM	<p>SURFACE MOUNT</p> <p>Use appropriate fastener through $\text{Ø}3/16"$ holes in housing.</p>
	WD	<p>WALL MOUNT – DIRECT ORIENTATION</p> <ul style="list-style-type: none"> 1-7/8" H x 4-1/2" W sheet aluminum bracket projects the fixture housing $3/4"$ from the wall surface. Bracket finish matches fixture finish, or ESS for satin anodize (SA) housing.
	WI	<p>WALL MOUNT – INDIRECT ORIENTATION</p> <ul style="list-style-type: none"> 1-7/8" H x 4-1/2" W sheet aluminum bracket projects the fixture housing $3/4"$ from the wall surface. Bracket finish matches fixture finish, or ESS for satin anodize (SA) housing.
	C4 and C8	<p>CABLE MOUNT</p> <p>Mounting option includes:</p> <ul style="list-style-type: none"> $\text{Ø}1/16"$ x 48" (C4) or 96" (C8) aircraft cables 60" (C4) or 108" (C8) power cable (in coordinating finish) Bracket bars $\text{Ø}5"$ white canopies Ceiling couplers Side exit cable grippers

OPTIONS

ORDERING CODE	DESCRIPTION	SPECIFICATIONS
ED	EMERGENCY LED DRIVER	<ul style="list-style-type: none"> Universal 120-277V input voltage emergency driver delivers initial minimum power of 10W for 90 minutes. Available for 4' or 8' nominal length non-dim or 0-10V fixture only (consult factory for all other lengths/drivers). Indicator/test switch located on the top for C4/C8 mount and on the side at an end for SM mount.


HCB02 | Swell

3" square LED luminaire with flush lens, Illuminated by BIOS®

OPTIONS - INTEGRATED CONTROLS

Note: Control option takes up 4" of the overall lens length.
Controls are mounted to flush filler piece.



	ORDERING CODE	LIGHT OUTPUT SETTING	MODEL	CONTROL PROTOCOL	FUNCTIONS	COMPATIBLE DRIVERS
 legrand® <small>WATTSTOPPER®</small>	WS1A	100% – 0% ¹	FS-205	N/A	PIR occupancy and light level sensor.	For use with on/off or 0-10V dimming drivers only.
	WS1B	100% – 50% ¹				
	EN1	Set during commissioning	FS-D22	Bluetooth Wireless	PIR occupancy, ambient light sensing, daylight harvesting, and environment monitoring for use within an Enlighted control network.	Provided with Advance sensor ready series 0-10V dimming drivers.
 <small>EasySense</small>	ES4	Set during commissioning	SNS211 MC	Bluetooth Wireless	Occupancy, daylight harvesting and task tuning sensor with advance grouping, for use within a MasterConnect network.	Provided with Advance sensor ready series 0-10V dimming drivers.
	CA1	Set during commissioning	CBU-A2D	Bluetooth Wireless	0-10V/DALI driver controller, for use within a Casambi ecosystem.	For use with 0-10V or DALI drivers. Consult factory for details.
	NL1	Set during commissioning	RES7 ²	Radio Wireless	Dimming, PIR occupancy detection and daylight harvesting, for use within an nLight AIR network.	Provided with Advance sensor ready series or eldoLED 0-10V drivers.
	NL2		RIO ²		Dimming, for use within an nLight AIR network.	
	LA1	Set during commissioning	A-WN-D01-RF-WH	Radio Wireless	Dimming only for use with an Athena control system.	Provided with Advance sensor ready series or eldoLED 0-10V or eldoLED DALI-2 drivers.
	LA2		A-WN-D01-OCC-WH		Dimming, PIR occupancy and daylight sensor for use with an Athena control system.	

1. Consult factory for custom light output setting.

2. Consult your Acuity representative for application-specific model number.

HCB02 | Swell

3" square LED luminaire with flush lens, Illuminated by BIOS®

LENGTH / MOUNTING DIMENSIONS

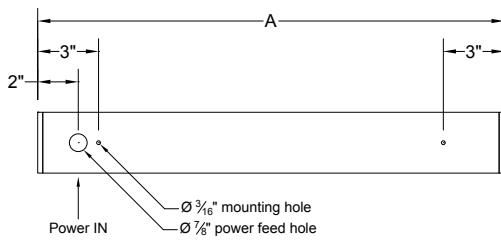
ORDERING CODE	LENGTH A	LENGTH B	LENGTH C	LENGTH D	LENGTH E
2	22-3/4"	22-1/2"	22-1/4"	16-3/4"	19-1/2"
3	33-3/4"	33-1/2"	33-1/4"	27-3/4"	30-1/2"
4	44-3/4"	44-1/2"	44-1/4"	38-3/4"	41-1/2"
5	55-3/4"	55-1/2"	55-1/4"	49-3/4"	52-1/2"
6	66-3/4"	66-1/2"	66-1/4"	60-3/4"	63-1/2"
7	77-3/4"	77-1/2"	77-1/4"	71-3/4"	74-1/2"
8	88-3/4"	88-1/2"	88-1/4"	82-3/4"	85-1/2"

RUN CONFIGURATION INFORMATION

ORDERING CODE	DESCRIPTION
SN	Single
ST	Starter
AD	Adder
TR	Terminator

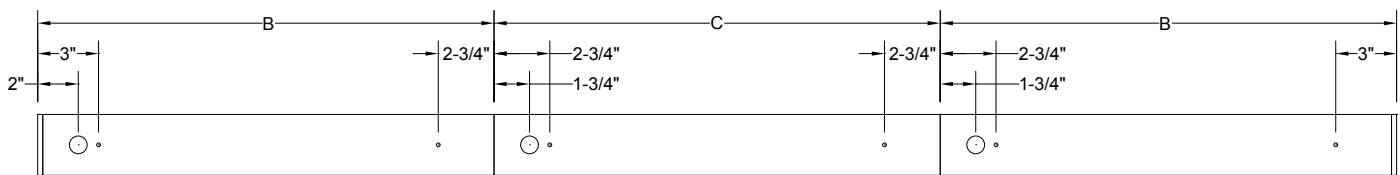
RUN INFORMATION

Back Plan - Surface Mount Single Fixture Option



SN

Back Plan - Surface Mount Continuous Run Option

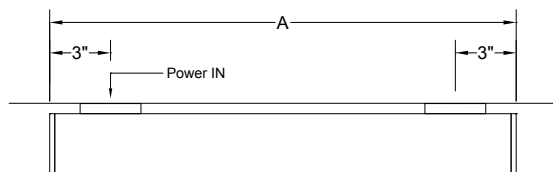


ST

AD

TR

Plan - Wall Mount Single Fixture Option



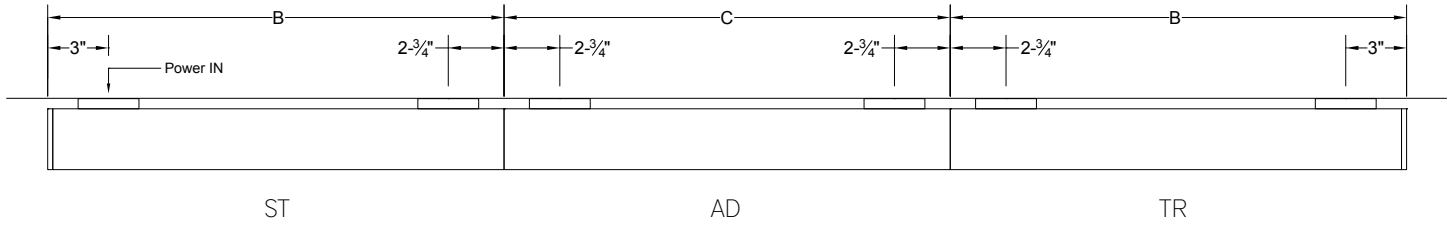
SN

HCB02 | Swell

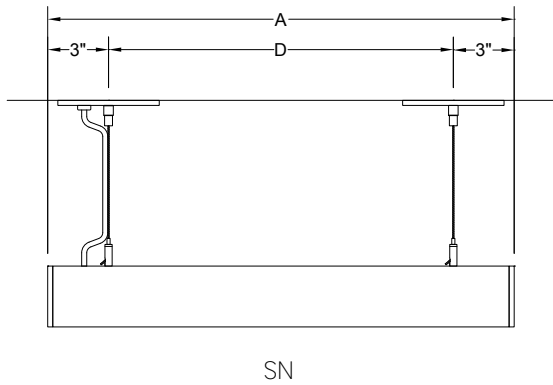
3" square LED luminaire with flush lens, Illuminated by BIOS®

RUN INFORMATION

Plan - Wall Mount Continuous Fixture Option



Side View - Cable Mount Single Fixture Option



Side View - Cable Mount Continuous Run Option

