

2" wide direct/indirect LED luminaire with simulated wood finish

Project: \_\_\_\_\_ Type: \_\_\_\_\_



## FEATURES

The Faux series of luminaires is comprised of architectural linear profiles finished with realistic imagery that makes the fixture appear to be made of natural wood. In addition to the standard wood-look finishes, nearly limitless custom options are possible, for simulating unique materials, branding reinforcement and interior design coordination.

The FAUX31 direct/indirect model is 2" wide by 3-1/2" tall and is offered with multiple optic options for cable or wall mount installations. The FAUX31 is Controls Capable, being offered with a variety of integrated control options.

## SPECIFICATIONS

Fixture constructed of extruded aluminum housing, extruded acrylic lenses and machined aluminum end caps.

Model variations offered for wall mount and cable suspended applications.

Indirect optic options include Lambertian or batwing distributions while direct options include flush and drop frosted lenses, acrylic Fresnel wall wash lens (for cable mount fixtures) and flat blade louver.

Four standard simulated wood finishes available along with nearly limitless custom options.

Finish comprised of a multi-stage application process that produces durable, high-resolution imagery.

Available in nominal lengths of 2'–8' single fixtures and continuous runs.

Basic continuous run fixtures provided with 18 ga. wiring harness for 6 Amp maximum load (consult factory for runs requiring multiple circuits, sensor integration, etc.).

Standard integral 120-277V driver offered with 0-10V dimming or non-dim (other dimming driver options available).

Integral 120-277V emergency battery backup available for 4' or 8' nominal, single circuit non-dim or 0-10V (consult factory for all other lengths/drivers).

Standard light outputs range from 470 – 790 lumens per foot for the direct source and 465 – 740 lumens per foot for the indirect source, depending on optic option.

LEDs available in 2700K, 3000K, 3500K and 4000K, within a 3 step MacAdam ellipse, all with 90+ CRI typical.

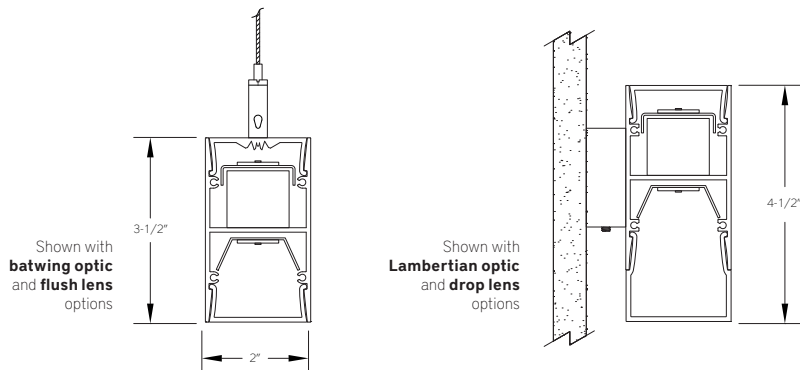
Bartco Lighting Controls Capable fixture available with integrated controls from a variety of suppliers.

Life: 50,000 hours L<sub>70</sub>

UL and C-UL listed for dry and damp locations

Limited five year warranty

## SECTION



## PERFORMANCE

NOMINAL LENGTH	OPTIC CONFIGURATION	OUTPUT	LUMENS/ft.	WATTS/ft.	LUMINAIRE LUMENS	EFFICACY (LPW)
4'	Indirect – Lambertian	L: low	465	5.0	1738	93
		R: regular	600	7.2	2257	84
	Indirect – batwing	L: low	570	5.7	2112	100
		R: regular	740	7.9	2743	94
	Direct – flush lens	L: low	470	5.0	1755	94
		R: regular	610	7.2	2279	85
	Direct – drop lens, solid end	L: low	500	5.0	1850	99
		R: regular	650	7.2	2402	90
	Direct – flush lens, wall wash	L: low	580	5.4	2155	108
		R: regular	790	7.6	2933	103

Note: All data reflects fixtures with 3500K LEDs.



2" wide direct/indirect LED luminaire with simulated wood finish

FAUX31 -

<p><b>NOMINAL FIXTURE LENGTH*</b></p> <p>2: 22-5/8"</p> <p>3: 33-5/8"</p> <p>4: 44-5/8"</p> <p>5: 55-5/8"</p> <p>6: 66-5/8"</p> <p>7: 77-5/8"</p> <p>8: 88-5/8"</p>	<p><b>CORRELATED COLOR TEMPERATURE</b></p> <p>27: 2700K-90+ CRI</p> <p>30: 3000K-90+ CRI</p> <p>35: 3500K-90+ CRI</p> <p>40: 4000K-90+ CRI</p>	<p><b>CIRCUIT</b></p> <p>1: single circuit</p> <p>2: two circuit (4' nom. length and longer)</p>	<p><b>DIRECT LIGHT OUTPUT</b> (lumens per foot w/optic option B)</p> <p>L: low - 500</p> <p>R: regular - 650</p> <p>CF: consult factory for custom output</p>	<p><b>DIRECT OPTIC</b></p> <p>A: flush lens</p> <p>B: drop lens - solid end</p> <p>C: drop lens - luminous end</p> <p>D: louver</p> <p>E: wall wash</p>	<p><b>RUN CONFIGURATION</b></p> <p>SN: single</p> <p>ST: starter</p> <p>AD: adder</p> <p>TR: terminator</p>	<p><b>FINISH</b></p> <p>FXW: faux walnut</p> <p>FXP: faux pine</p> <p>FXO: faux white oak</p> <p>FXC: faux cherry</p> <p>CF: consult factory for custom faux finish</p>
<p><b>DRIVER</b></p> <p>ND: non-dimming</p> <p><b>[Dimming]</b></p> <p>D: 0-10V, 1%</p> <p>DTR: triac, 1%, (120V ONLY)</p> <p>DLV: electronic low voltage, 1%, (120V ONLY)</p> <p>HES: Lutron EcoSystem, soft-on/fade-to-black, 1%</p> <p>EL: eldoLED ECOdrive 0-10V, 1%</p> <p>ES: eldoLED SOLOdrive 0-10V, 0.1%</p> <p>ELD: eldoLED ECOdrive DALI, 1%</p> <p>ESD: eldoLED SOLOdrive DALI, 0.1%</p>		<p><b>INDIRECT LIGHT OUTPUT</b> (lumens per foot w/ optic option 1)</p> <p>L: low - 465</p> <p>R: regular - 600</p> <p>CF: consult factory for custom output</p>	<p><b>INDIRECT OPTIC</b></p> <p>1: Lambertian distribution</p> <p>2: batwing distribution</p>	<p><b>MOUNT</b></p> <p>WM: wall mount</p> <p>C4: cable mount 4' cable length</p> <p>C8: cable mount 8' cable length</p> <p>CF: consult factory for custom mounting</p>	<p><b>OPTIONS</b></p> <p>ED: emergency driver (4' or 8' SINGLE CIRCUIT, non-dim or 0-10V only)</p> <p>WS1A: Wattstopper FS-205, 100%-0% ‡</p> <p>WS1B: Wattstopper FS-205, 100%-50% ‡</p> <p>EN1: Enlighted FS-D22 ‡</p> <p>ES4: Philips EasySense SNS211 MC ‡</p> <p>CA1: Casambi CBU-A2D ‡</p> <p>NL1: nLight RES7 ‡</p> <p>NL2: nLight RIO ‡</p> <p>LA1: Lutron Athena A-WN-D01-RF-WH ‡</p> <p>LA2: Lutron Athena A-WN-D01-OCC-WH ‡</p>	

\* Actual dimension dependent on mounting and run configuration.  
 ‡ See Integrated Controls section for driver compatibility information.

INDIRECT OPTIC

	ORDERING CODE	DESCRIPTION	SPECIFICATIONS
	1	LAMBERTIAN DISTRIBUTION	Frosted extruded acrylic lens for Lambertian distribution.
	2	BATWING DISTRIBUTION	Clear extruded acrylic with wide distribution optic features.

DIRECT OPTIC

ORDERING CODE	DESCRIPTION	SPECIFICATIONS
A	FLUSH LENS	Flush frosted acrylic extrusion
B	DROP LENS – SOLID END	1" H frosted acrylic extrusion with full height aluminum end cap
C	DROP LENS – LUMINOUS END	1" H frosted acrylic extrusion with matching acrylic end cap
D	LOUVER	<p>2" W Flat blade louver with 5/8" blades at 7/8" spacing, formed from sheet steel</p> <p>Finish is Environmental Satin Silver (consult factory for alternate finishes).</p> <p>Supplied with light diffusion film.</p>
E	WALL WASH	<p>Acrylic extrusion with optically engineered Fresnel prisms for wall wash applications</p> <p>Available for Cable (C4,C8) mounting only.</p> <p>Optimized for placement 18"-24" from a wall surface.</p> <p>Uniformity ratio as low as 4:1.</p>

## MOUNTING

	ORDERING CODE	DESCRIPTION
	WM	<p>WALL MOUNT</p> <ul style="list-style-type: none"> <li>1-7/8" H x 4-1/2" W sheet aluminum bracket projects the fixture housing 3/4" from the wall surface.</li> </ul>
	C4 and C8	<p>CABLE MOUNT</p> <p>Mounting option includes:</p> <ul style="list-style-type: none"> <li>Ø 1/16" x 48" (C4) or 96" (C8) aircraft cables</li> <li>60" (C4) or 108" (C8) power cable in coordinating finish</li> <li>Bracket bars</li> <li>Ø 5" white canopies</li> <li>Ceiling couplers</li> <li>Side exit cable grippers</li> </ul> <p><b>NOTE: WHEN DUAL CIRCUIT OPTION IS USED, TWO POWER CABLES ARE REQUIRED</b></p>

## OPTIONS

ORDERING CODE	DESCRIPTION	SPECIFICATIONS
ED	EMERGENCY LED DRIVER	<ul style="list-style-type: none"> <li>Universal 120-277V input voltage emergency driver delivers initial minimum power of 10W for 90 minutes.</li> <li>Available for SINGLE CIRCUIT <b>4'</b> or <b>8'</b> nominal length non-dim or 0-10V fixture and direct light source only (consult factory for all other lengths/drivers).</li> </ul>

OPTIONS - INTEGRATED CONTROLS

Note: Control option takes up 4" of the overall lens length. For "A", "D" and "E" optic option, controls are mounted to flush filler piece. For "B" and "C" optic option, controls are mounted to 1" H sheet formed cover. Cover/filler piece matches fixture finish.



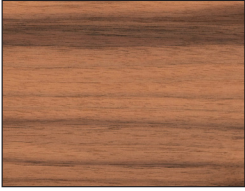
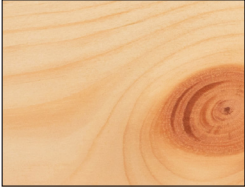
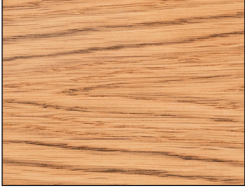

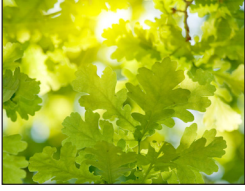
	ORDERING CODE	LIGHT OUTPUT SETTING	MODEL	CONTROL PROTOCOL	FUNCTIONS	COMPATIBLE DRIVERS
<b>legrand</b> WATTSTOPPER®	WS1A	100% – 0% <sup>1</sup>	FS-205	N/A	PIR occupancy and light level sensor.	For use with on/off or 0-10V dimming drivers only.
	WS1B	100% – 50% <sup>1</sup>				
<b>Enlighted</b>	EN1	Set during commissioning	FS-D22	Bluetooth Wireless	PIR occupancy, ambient light sensing, daylight harvesting, and environment monitoring for use within an Enlighted control network.	Provided with Advance sensor ready series 0-10V dimming drivers.
<b>PHILIPS</b> EasySense	ES4	Set during commissioning	SNS211 MC	Bluetooth Wireless	Occupancy, daylight harvesting and task tuning sensor with advance grouping, for use within a MasterConnect network.	Provided with Advance sensor ready series 0-10V dimming drivers.
<b>CASAMBI</b>	CA1	Set during commissioning	CBU-A2D	Bluetooth Wireless	0-10V/DALI driver controller, for use within a Casambi ecosystem.	For use with 0-10V or DALI drivers. Consult factory for details.
<b>nLIGHT</b>	NL1	Set during commissioning	RES7 <sup>2</sup>	Radio Wireless	Dimming, PIR occupancy detection and daylight harvesting, for use within an nLight AIR network.	Provided with Advance sensor ready series or eldoLED 0-10V drivers.
	NL2		RIO <sup>2</sup>		Dimming, for use within an nLight AIR network.	
<b>LUTRON</b> ®	LA1	Set during commissioning	A-WN-D01-RF-WH	Radio Wireless	Dimming only for use with an Athena control system.	Provided with Advance sensor ready series or eldoLED 0-10V or eldoLED DALI-2 drivers.
	LA2		A-WN-D01-OCC-WH		Dimming, PIR occupancy and daylight sensor for use with an Athena control system.	

1. Consult factory for custom light output setting.  
2. Consult your Acuity representative for application-specific model number.

FINISH

Note: Fixture housing and end caps are treated to a multi-stage process that produces durable, high resolution imagery.

Any manner of custom imagery can be applied to Faux luminaires, from photorealistic objects, to graphic branding, to abstract representations. Images must be copywrite free and meet other print standard criteria. Consult factory for specifics.

	ORDERING CODE	DESCRIPTION
	FXW	FAUX WALNUT
	FXP	FAUX PINE
	FXWO	FAUX WHITE OAK
	FXC	FAUX CHERRY
	CF	CUSTOM FAUX FINISH Consult factory for specifics.
