

BHR301 | HORIZON

2" wide aperture illuminated coffer luminaire



Project: _____ Type: _____



FEATURES

The Horizon BHR301 linear illuminated coffer luminaire provides clean, understated yet high performance general illumination. Recessed into a ceiling, a visibly quiet, 2" wide illuminated coffer distributes light efficiently across a broad range. Grid ceiling, flange trim and trimless mounting options are available, as well as a variety of dimming drivers and light outputs, to maximize the versatility of this clean design luminaire.

SPECIFICATIONS

Fixture housing, chassis and trim elements made of extruded aluminum, with additional heavy gauge sheet parts

Model options available for typical 9/16" and 15/16" grid ceilings or hard ceilings with flange and trimless mounting

Coffer formed of 98% reflective material

Available in nominal lengths of 2'-7" single fixtures and continuous runs

Basic continuous run fixtures provided with 18 ga. wiring harness for 6 Amp maximum load (consult factory for runs requiring multiple circuits, sensor integration, etc.)

LED modules, driver, and reflector are integrated into the chassis, which snaps into the outer housing for simple and quick installation

Standard integral 120-277V driver offered with 0-10V dimming or non-dim (other dimming driver options available)

Integral 120-277V emergency battery backup available for 4' nominal non-dim or 0-10V (consult factory for all other lengths/ drivers)

Standard light outputs are 665, 880 and 1090 lumens per foot

LEDs available in 2700K, 3000K, 3500K, and 4000K, within a 3 step MacAdam ellipse, all with 90+ CRI typical

Life: 50,000 hours L₇₀

Chicago plenum rated option available

Nominal weight is 2.8 lbs. per foot

Limited five year warranty

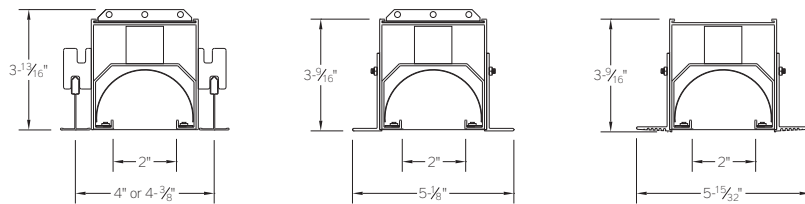
UL and C-UL listed for dry and damp locations

SECTIONS

T1: T-grid 9/16"
T2: T-grid 15/16"

FT: Flange trim

TL: Trimless



PERFORMANCE

NOMINAL LENGTH	OUTPUT	LUMENS/ft.	WATTS/ft.	LUMINAIRE LUMENS	EFFICACY
4'	L: low	665	6.8	2450	97
	R: regular	880	9.0	3251	98
	H: high	1090	11.5	4008	95

Note: All data reflects fixtures with 3500K LEDs



BHR301 -

MOUNTING

T1: T-grid 9/16"
T2: T-grid 15/16"
FT: Flange trim
TL: Trimless
CF: consult factory for custom mounting

NOMINAL FIXTURE LENGTH*

22: 22"
36: 36"
49: 49"
62: 62"
71: 71"
84: 84"

CORRELATED COLOR TEMPERATURE

27: 2700K-90+ CRI
30: 3000K-90+ CRI
35: 3500K-90+ CRI
40: 4000K-90+ CRI

DRIVER

ND: non-dimming
[Dimming]
D: 0-10V, 1%
HES: Lutron EcoSystem, soft-on/ fade-to-black, 1%
H2: Lutron Hi-lume 2-wire forward phase, 1%, (120V ONLY)
E5: Lutron EcoSystem 5-Series, 5%
EL: eldoLED ECOdrive 0-10V, 1%

LIGHT OUTPUT (lumens per foot)

L: low - 665
R: regular - 880
H: high - 1090
CF: consult factory for custom output

RUN CONFIGURATION

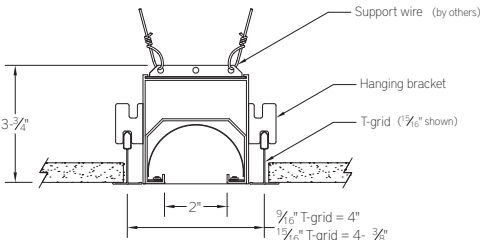
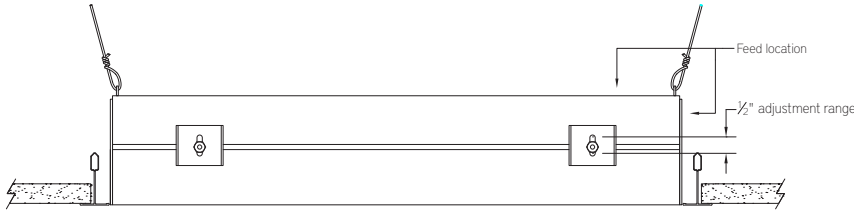
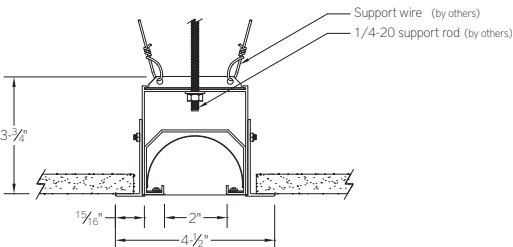
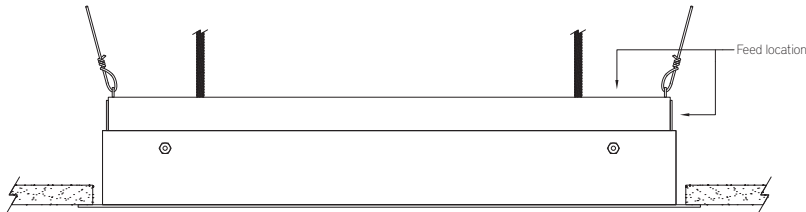
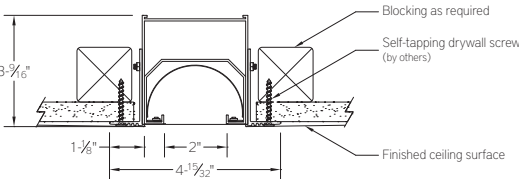
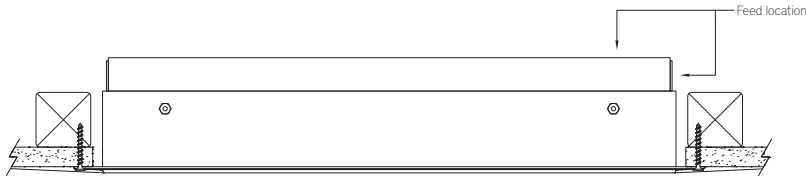
SN: single
ST: starter
AD: adder
TR: terminator

OPTIONS

CP: Chicago plenum
ED: emergency driver (49" non-dim or 0-10V fixtures only)
WS1: Wattstopper FS-205 ‡
ES1: EasySense SN102 ‡
ES2: EasySense SN200 ‡
ES3: EasySense SN300 ‡
EN1: Enlighted FS-D22 ‡
CF: consult factory for custom finish

* Actual dimension dependent on trim option and run configuration
‡ See sensor section for driver compatibility information

MOUNTING

ORDERING CODE	DESCRIPTION	SPECIFICATIONS
T1 T2	T-grid ceiling 9/16" T-grid ceiling 15/16"	<ul style="list-style-type: none"> • 16 ga. brackets locate housing onto T-bar and allow 1/2" of vertical adjustment to accommodate various height T-bar • Housing secured with support wires (by others) • Exposed flange trim in matte white finish
 <p>Support wire (by others) Hanging bracket T-grid (1 5/8" shown) 3-3/4" 2" 9/16" T-grid = 4" 1 1/16" T-grid = 4- 3/8"</p>	 <p>Feed location 1/2" adjustment range</p>	
FT	Flange - drywall ceiling	<ul style="list-style-type: none"> • 3/4" wide extruded aluminum trim flange in matte white finish • Housing secured with support wires or 1/4-20 threaded rod (by others)
 <p>Support wire (by others) 1/4-20 support rod (by others) 3-3/4" 1 5/16" 2" 4-1/2"</p>	 <p>Feed location</p>	
TL	Trimless - drywall ceiling	<ul style="list-style-type: none"> • Installs after 1/2" or 5/8" drywall • Housing secured with self-tapping drywall screws (by others) into blocking as required
 <p>Blocking as required Self-tapping drywall screw (by others) Finished ceiling surface 3-3/16" 1-1/8" 2" 4-1 5/32"</p>	 <p>Feed location</p>	




OPTIONS

	ORDERING CODE	DESCRIPTION	SPECIFICATIONS
	ED	EMERGENCY LED DRIVER	<ul style="list-style-type: none"> • Universal 120-277V input voltage emergency driver delivers initial minimum power of 10W for 90 minutes • Available for 4' nominal length non-dim or 0-10V fixture only (consult factory for all other lengths/drivers) • Provided with combination test switch/indicator light mounted to wall plate for remote installation

Note: remote battery backup available for shorter fixture lengths - ordered separately, consult factory for details

INTEGRATED SENSORS

Note: Sensor options add 3-1/2" to the overall fixture length.

	ORDERING CODE	BRAND AND MODEL	FUNCTIONS	
	WS1	Wattstopper FS-205	Occupancy and light level sensor	For use with on/off or 0-10V dimming drivers only
	EN1	Enlighted FS-D22	Occupancy, ambient light sensing, daylight harvesting, and environment monitoring for Enlighted control network	Provided with Advance sensor ready series 0-10V dimming drivers
	ES1	Philips EasySense SN102	Occupancy, daylight harvesting and task tuning sensor with simple grouping	Provided with Advance sensor ready series 0-10V dimming drivers
	ES2	Philips EasySense SN200	Occupancy, daylight harvesting and task tuning sensor with advance grouping	
	ES3	Philips EasySense SN300	Occupancy, daylight harvesting sensor for integration with Zigbee control networks	