

BSS214 | GENERAL INFORMATION



3" square rectilinear LED luminaire with flush lens

Project: _____ Type: _____



FEATURES

The BSS214 is a linear LED luminaire for general lighting applications. The 3" square extrusion, fitted with a flush, frosted lens and machined aluminum end caps. Surface, cable or wall mounting options are available, as well as a variety of dimming drivers and light outputs, to maximize the versatility of this clean design luminaire.

SPECIFICATIONS

Fixture constructed of an extruded aluminum housing, extruded, frosted acrylic lens and machined aluminum end caps

Model variations offered for surface, wall mount and cable suspended applications

Standard finishes as shown below

Available in nominal lengths of 2'-8' single fixtures and continuous runs

Basic continuous run fixtures provided with 18 ga. wiring harness for 6 Amp maximum load (consult factory for runs requiring multiple circuits, sensor integration, etc.)

Standard integral 120-277V driver offered with 0-10V dimming or non-dim (other dimming driver options available)

Integral 120-277V emergency battery backup available for 4' or 8' nominal non-dim or 0-10V (consult factory for all other lengths/drivers)

Passive infrared occupancy sensor available

Standard outputs are 555, 720, and 950 lumens per foot

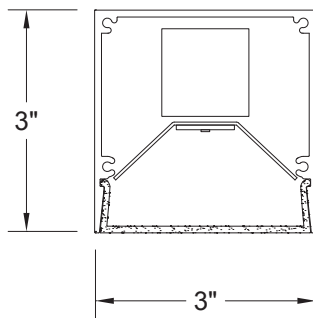
LEDs available in 2700K, 3000K, 3500K and 4000K, within a 3 step MacAdam ellipse, all with 90+ CRI typical

Life: 50,000 hours L_{70}

Limited five year warranty

UL and C-UL listed for dry and damp locations

SECTION



PERFORMANCE

NOMINAL LENGTH	OUTPUT	LUMENS/ft.	WATTS/ft.	LUMINAIRE LUMENS	EFFICACY (LPW)
4'	L: low	555	5.6	2071	100
	R: regular	720	7.7	2690	93
	H: high	950	10.6	3535	88

Note: All data reflects fixture with 3500K LEDs



BSS214 -

NOMINAL FIXTURE LENGTH*	CORRELATED COLOR TEMPERATURE	DRIVER	LIGHT OUTPUT (lumens per foot)	MOUNT	RUN CONFIGURATION	FINISH
2: 22-3/4"	27: 2700K-90+ CRI	ND: non-dimming [Dimming]	L: low - 555	SM: surface mount	SN: single	AW: architectural white (semi-matte)
3: 33-3/4"	30: 3000K-90+ CRI	D: 0-10V, 1%	R: regular - 720	WD: wall mount - direct	ST: starter	WH: white (semi-gloss)
4: 44-3/4"	35: 3500K-90+ CRI	D: 0-10V, 1%	H: high - 950	WI: wall mount - indirect	AD: adder	BL: black (semi-matte)
5: 55-3/4"	40: 4000K-90+ CRI	HES: Lutron EcoSystem, soft-on/fade-to-black, 1%	CF: consult factory for custom output	C4: cable mount 4' cable length	TR: terminator	MB: matte black
6: 66-3/4"		H2: Lutron Hi-lume 2-wire forward phase, 1%, (120V ONLY)		C8: cable mount 8' cable length		ESS: environmental satin silver
7: 77-3/4"		E5: Lutron EcoSystem 5-Series, 5%				BZ: bronze
8: 88-3/4"		EL: eldoLED ECOdrive 0-10V, 1%				PR: primer
						CF: consult factory for custom finish
						SA: satin anodize (may require additional lead time)

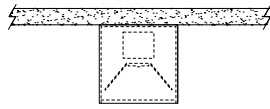
OPTIONS
 ED: emergency driver (4' or 8' non-dim or 0-10V only)
 S1: occ sensor pos.1 (see options section)
 S2: occ sensor pos.2 (see options section)
 S3: occ sensor pos.3 (see options section)

* Actual dimension dependent on run configuration and sensor option

MOUNTING

ORDERING CODE

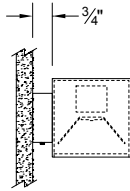
DESCRIPTION



SM

SURFACE MOUNT

Use appropriate fastener through $\varnothing 3/16"$ holes in housing

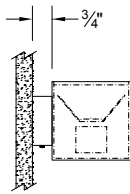


WD

WALL MOUNT – DIRECT ORIENTATION

Mounting option includes:

- 1-7/8" H x 4-1/2" W aluminum bracket projects the fixture housing 3/4:" from the wall surface

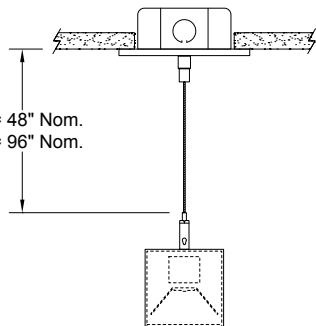


WI

WALL MOUNT – INDIRECT ORIENTATION

Mounting option includes:

- 1-7/8" H x 4-1/2" W aluminum bracket projects the fixture housing 3/4:" from the wall surface



C4 and C8

CABLE MOUNT

Mounting option includes:

- $\varnothing 1/16"$ x 48" (C4) or 96" (C8) aircraft cables
- 60" (C4) or 108" (C8) power cable (in coordinating finish)
- Bracket bars
- $\varnothing 5"$ white canopies
- Ceiling couplers
- Side exit cable grippers

OPTIONS

ORDERING CODE	DESCRIPTION	SPECIFICATIONS
ED	EMERGENCY LED DRIVER	<ul style="list-style-type: none"> • Universal 120-277V input voltage emergency driver delivers initial minimum power of 10W for 90 minutes • Available for 4' or 8' nominal length non-dim or 0-10V fixture only (consult factory for all other lengths/drivers) • Indicator light/test switch located on housing side for surface mount and upper side for cable suspended mount

OCCUPANCY SENSOR

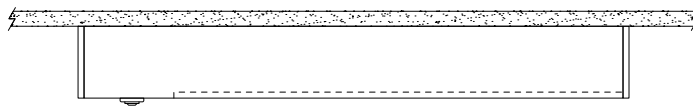
Passive infrared occupancy sensor with hold-off day-lighting adjustment (10-120 foot candles) and time delay adjustment from 30 seconds to 30 minutes

Sensor adds 4" to overall fixture length

S1

OCCUPANCY SENSOR - POSITION 1

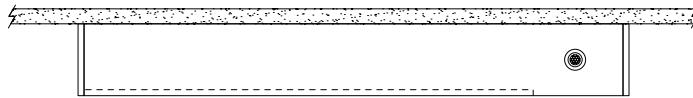
Sensor located on the lens side at an end



S2

OCCUPANCY SENSOR - POSITION 2

Sensor located on the housing side at the **right** end



S3

OCCUPANCY SENSOR - POSITION 3

Sensor located on the housing side at the **left** end

