

Project: _____ Type: _____



FEATURES

The BSW214 is a linear LED luminaire for outdoor lighting applications. The 3" square extrusion is fitted with a flush, frosted lens and machined aluminum end caps.

SPECIFICATIONS

Fixture constructed of an extruded aluminum housing, extruded, frosted acrylic lens and machined aluminum end caps

Standard finishes as shown below

Available for surface or wall mounting in nominal lengths of 2'-8' single fixtures and continuous runs

Housing provided with a Ø7/8 hole for back feeding

Standard integral 120-277V wet location driver offered with 0-10V dimming or non-dim

Standard outputs are 390, 775 and 1000 lumens per foot

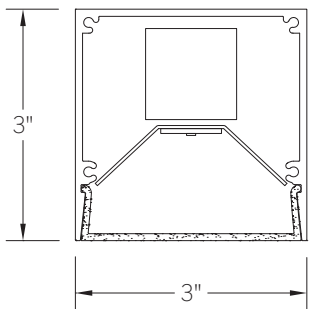
LEDs available in 2700K, 3000K, 3500K and 4000K, within a 3 step MacAdam ellipse, all with 80+ CRI typical

Life: 50,000 hours L₇₀

Limited five year warranty

UL and C-UL listed for wet locations

SECTION



PERFORMANCE

Note: All data reflects fixtures with 3500K LEDs

NOMINAL LENGTH	OUTPUT	LUMENS/ft.	WATTS/ft.	LUMINAIRE LUMENS	EFFICACY (LPW)
4'	L: low	390	4.0	1554	98
	R: regular	775	8.0	3104	97
	H: high	1000	10.3	3995	97



BSW214 -

NOMINAL FIXTURE LENGTH*	CORRELATED COLOR TEMPERATURE	DRIVER	LIGHT OUTPUT (lumens per foot)	MOUNT	RUN CONFIGURATION	FINISH
2: 24-5/8"	27: 2700K-80+ CRI	IN: non-dimming	L: low - 390	SM: surface mount	SN: single	AW: architectural white (semi-matte)
3: 36-5/8"	30: 3000K-80+ CRI	ID: 0-10V dimming, 5%	R: regular - 775	WD: wall mount - direct	ST: starter	WH: white (semi-gloss)
4: 48-5/8"	35: 3500K-80+ CRI		H: high - 1000	WI: wall mount - indirect	AD: adder	BL: black (semi-matte)
5: 60-5/8"	40: 4000K-80+ CRI				TR: terminator	MB: matte black
6: 72-5/8"						ESS: environmental satin silver
7: 84-5/8"						BZ: bronze
8: 96-5/8"						PR: primer
						CF: consult factory for custom finish

* Actual dimension dependent on run configuration

MOUNTING

	ORDERING CODE	DESCRIPTION
	SM	<p>SURFACE MOUNT</p> <ul style="list-style-type: none"> Use appropriate fastener through $\varnothing 3/16"$ holes in housing Power entry through $\varnothing 7/8"$ hole on the back at an end
<p>Power feed end shown</p>	WD	<p>WALL MOUNT – DIRECT ORIENTATION</p> <p>Mounting option includes:</p> <ul style="list-style-type: none"> 1-7/8" H x 4-1/2" W aluminum bracket projects the fixture housing 3/4" from the wall surface Power feed mounting point includes a 1/16" aluminum plate for interfacing with a single gang outdoor electrical box
<p>Non-power feed end shown</p>	WI	<p>WALL MOUNT – INDIRECT ORIENTATION</p> <p>Mounting option includes:</p> <ul style="list-style-type: none"> 1-7/8" H x 4-1/2" W aluminum bracket projects the fixture housing 3/4" from the wall surface Power feed mounting point includes a 1/16" aluminum plate for interfacing with a single gang outdoor electrical box

EPA CALCULATIONS

LENGTH ORDERING CODE	EPA
2	0.99 ft ²
3	1.46 ft ²
4	1.94 ft ²
5	2.42 ft ²
6	2.89 ft ²
7	3.36 ft ²
8	3.84 ft ²

LENGTH/MOUNTING DIMENSIONS

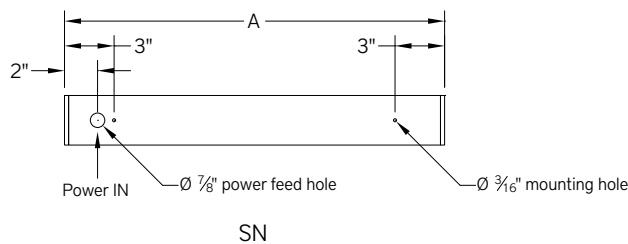
ORDERING CODE	LENGTH A	LENGTH B	LENGTH C
2	24-5/8"	24-5/16"	24"
3	36-5/8"	36-5/16"	36"
4	48-5/8"	48-5/16"	48"
5	60-5/8"	60-5/16"	60"
6	72-5/8"	72-5/16"	72"
7	84-5/8"	84-5/16"	84"
8	96-5/8"	96-5/16"	96"

RUN CONFIGURATION INFORMATION

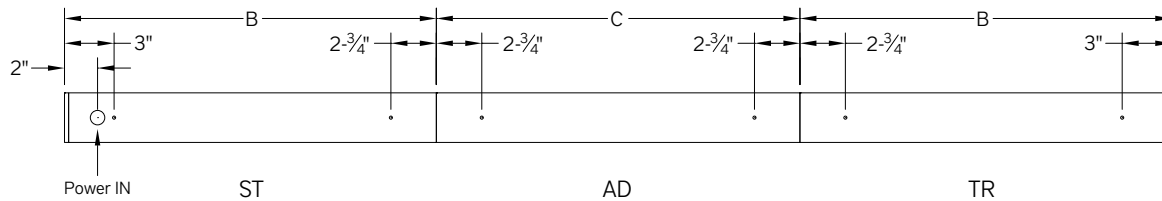
ORDERING CODE	DESCRIPTION
SN	Single
ST	Starter
AD	Adder
TR	Terminator

RUN INFORMATION

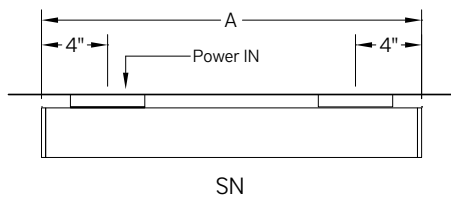
Back Plan - Surface Mount Single Fixture Option



Back Plan - Surface Mount Continuous Run Option



Plan - Wall Mount Single Fixture Option



Plan - Wall Mount Continuous Fixture Option

