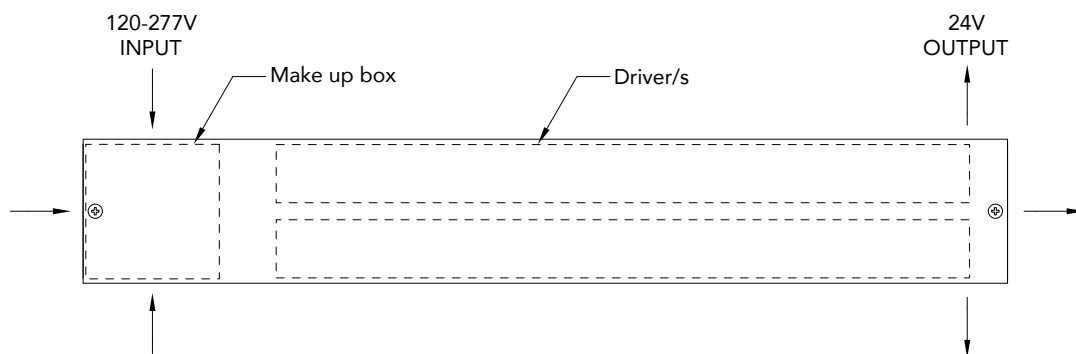
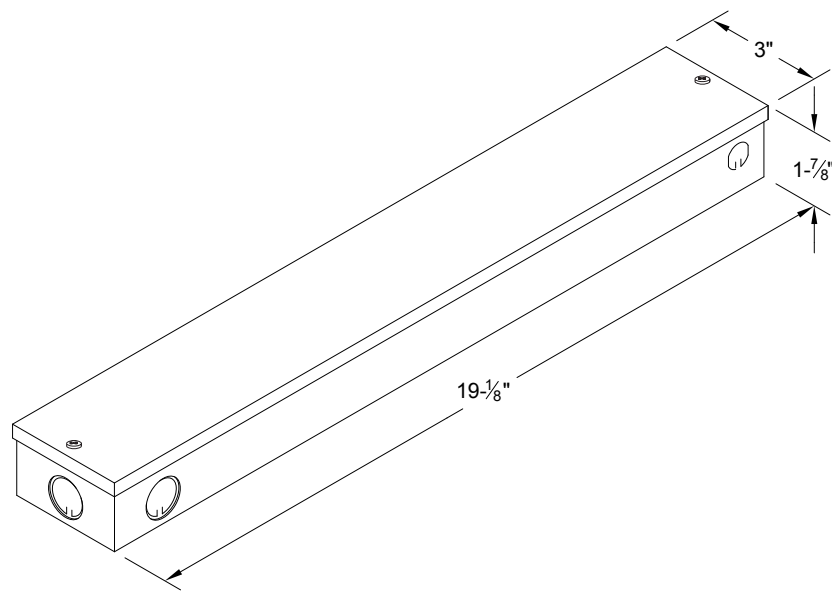


General Note

Specify driver ordering code in the Fathom Series light fixture part number. Factory will provide a driver/s matched to the performance requirements of specific fixtures. Driver assembly is UL listed for wet locations.

Driver Enclosure

Remote driver supplied in an aluminum, surface mount enclosure with a primer powder coat finish. A wire make-up box with ample 7/8" knock outs is mounted inside the enclosure at one end and accepts typical 1/2" trade size wet location fittings. Low voltage cable enters the enclosure through dedicated knock outs at the opposite end.



DRIVER TYPE	LIGHT FIXTURE ORDERING CODE	DIMMING METHOD	DIMMING RANGE
Remote Non-dimming	RN	NA	NA
Remote Dimming	RD	0-10V	5- 100%

Fathom remote driven fixtures are provided with 10' leads.

For dimming installations, customer is responsible for compatibility between driver and control system