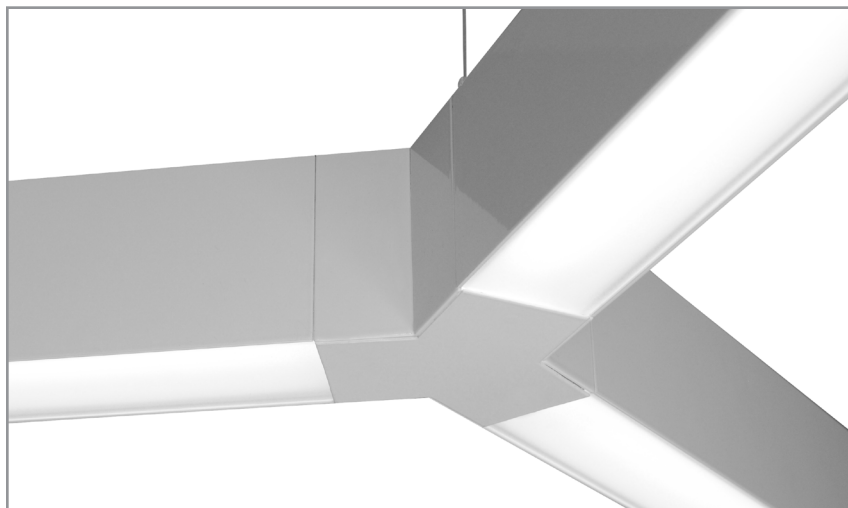


Project: _____ Type: _____



FEATURES

Create an endless variety of multi-directional fixture runs and geometric shapes with the BS610 YoX linear LED system. This luminaire family consists of modular 2" wide by 3" tall extruded aluminum housings and joining modules in Straight, "L", "T", "Y", and "X" configurations. Fixtures can be surface or cable suspended and optioned with a variety of dimming drivers and occupancy sensor.

SPECIFICATIONS

Fixture housings constructed an extruded aluminum housing, extruded, frosted acrylic lens and machined aluminum end caps

Mounting variations offered for surface or cable suspended applications

Fixture housings require BSS610-M Joining Modules for mounting and supplying power (specified separately)

Standard finishes as shown below

Fixture modules available in nominal lengths of 2'-8' and are provided with 18 ga. wiring harnesses (6 Amp max. load) at a suitable length for connecting to adjacent fixtures or power modules (consult factory for runs requiring multiple circuits, sensor integration, etc.)

Standard integral 120-277V driver offered with 0-10V dimming or non-dim (other dimming driver options available)

Integral 120-277V emergency battery backup available for 4'-8' fixtures (remote battery backup available for shorter fixture lengths - ordered separately, consult factory for details)

Standard light outputs are 485, 625 and 825 lumens per foot

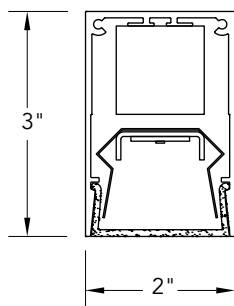
LEDs available in 2700K, 3000K, 3500K and 4000K, within a 3 step MacAdam ellipse, all with 90+ CRI typical

Life: 50,000 hours L₇₀

UL and C-UL listed for dry and damp locations

Limited five year warranty

SECTION



PERFORMANCE

NOMINAL LENGTH	OUTPUT	LUMENS/ft.	WATTS/ft.	LUMINAIRE LUMENS	EFFICACY (LPW)
4'	L: low	485	5.6	1795	86
	R: regular	625	7.8	2331	81
	H: high	825	10.8	3063	76

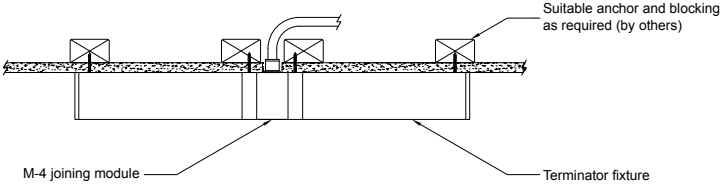
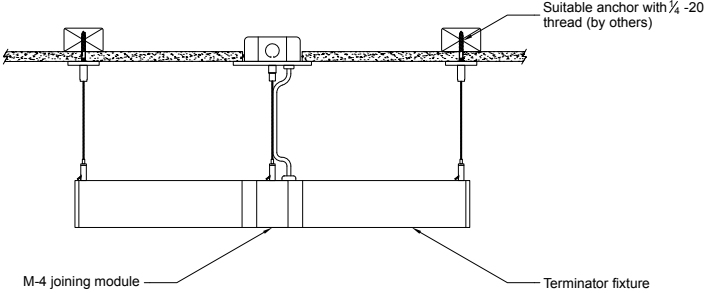
Note: All data reflects fixtures with 3500K LEDs



BSS610 -

NOMINAL FIXTURE LENGTH 2: 22-1/8" 3: 33-1/8" 4: 44-1/8" 5: 55-1/8" 6: 66-1/8" 7: 77-1/8" 8: 88-1/8"	CORRELATED COLOR TEMPERATURE 27: 2700K-90+CRI 30: 3000K-90+CRI 35: 3500K-90+CRI 40: 4000K-90+CRI	DRIVER ND: non-dimming [Dimming] D: 0-10V, 1% DTR: triac, 1% DLV: electronic low voltage, 1% HES: Lutron Eco-System, soft-on fade-to-black, 1% EL: eldoLED ECOdrive 0-10V, 1% ES: eldoLED SOLOdrive 0-10V, 0.1% ELD: eldoLED ECOdrive DALI, 1% ESD: eldoLED SOLOdrive DALI, 0.1%	LIGHT OUTPUT (lumens per foot) L: low - 485 R: regular - 625 H: high - 825 CF: consult factory for custom output	MOUNT SM: surface mount CM: cable mount CF: consult factory for custom mounting	RUN CONFIGURATION AD: adder TR: terminator	OPTIONS ED: emergency driver (44"-88" fixtures) OC: occupancy sensor (see options section)	FINISH AW: architectural white (semi-matte) WH: white (semi-gloss) BL: black (semi-matte) MB: matte black ESS: environmental satin silver BZ: bronze PR: primer CF: consult factory for custom finish
---	---	--	---	---	---	---	--

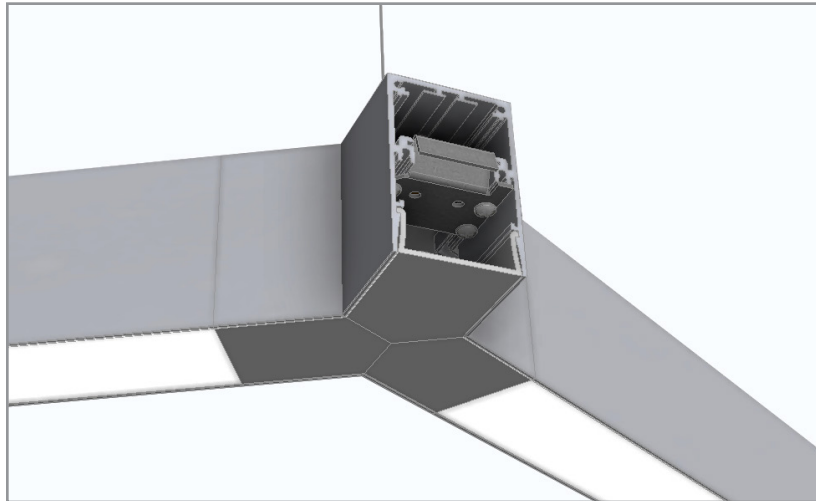
MOUNTING

	ORDERING CODE	DESCRIPTION
<p>"T" shape shown</p>  <p>Suitable anchor and blocking as required (by others)</p> <p>M-4 joining module</p> <p>Terminator fixture</p>	SM	<p>SURFACE MOUNT</p> <ul style="list-style-type: none"> Use appropriate fastener through Ø3/16" holes in housing Power is supplied through an adjacent Joining Module
<p>"T" shape shown</p>  <p>Suitable anchor with 1/4"-20 thread (by others)</p> <p>M-4 joining module</p> <p>Terminator fixture</p>	CM	<p>CABLE MOUNT</p> <ul style="list-style-type: none"> Power is supplied through an adjacent cable suspended Joining Module

OPTIONS

ORDERING CODE	DESCRIPTION	SPECIFICATIONS
ED	EMERGENCY LED DRIVER	<ul style="list-style-type: none"> Universal 120-277V input voltage emergency driver delivers initial minimum power of 10W for 90 minutes Available for 44"-88" fixtures Provided with combination test switch/indicator light mounted on housing top for suspended applications or the housing underside for surface mount applications Contractor to run necessary wiring through fixture arrays <p>Note: remote battery backup available for shorter fixture lengths – ordered separately, consult factory for details</p>
OC	OCCUPANCY SENSOR	<p>Passive infrared occupancy sensor with hold-off daylighting adjustment (10-120 foot candles) and time delay adjustment from 30 seconds to 30 minutes</p> <p>Note: control unit located in fixture housing while optical sensor is mounted to an adjacent Joining Module</p>

Project: _____ Type: _____



SPECIFICATIONS

Joining Modules constructed an extruded aluminum housing, and machined aluminum end caps

Standard finishes as shown below

Modules available in Straight, 90° "L", 90° "T", 90° "X", 120° "L" and 120° "Y" configurations

Mounting variations offered for surface or cable suspended applications

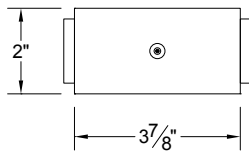
Cable suspended modules with the power feed option provided with coordinating (white, metal braided) 18 ga. power cable for load up to 6 Amps

Passive infrared occupancy sensor available for 3' and longer fixtures

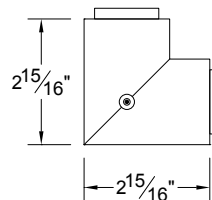
PLAN

(Cable mount, no power feed shown)

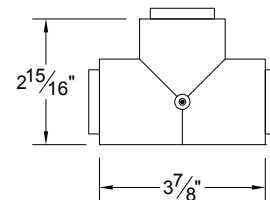
M-2



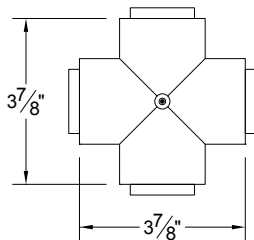
M-3



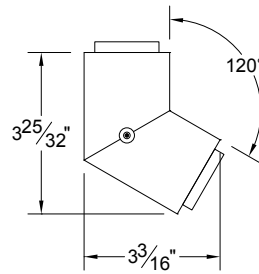
M-4



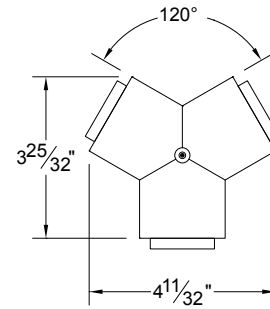
M-5



M-6



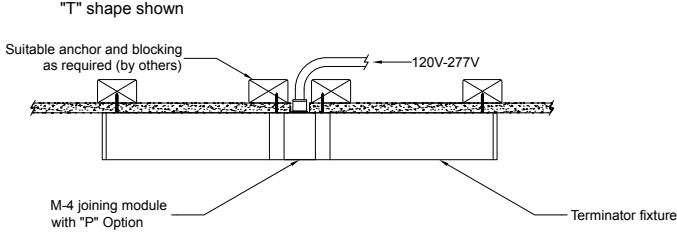
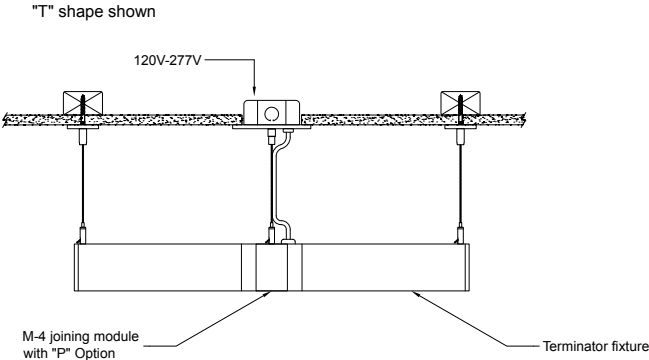
M-7



BSS610-M +

+	+	+	+	+
<p>MODULE CONFIGURATION</p> <p>2: straight 3: L – 90° 4: T – 90° 5: X – 90° 6: L – 120° 7: Y – 120°</p>	<p>MOUNT</p> <p>SM: surface mount C4: cable mount 4' cable length C8: cable mount 8' cable length CF: consult factory for custom mounting</p>	<p>POWER FEED</p> <p>N: no power P: power</p>	<p>OPTIONS</p> <p>S1: occ sensor pos. 1 (see options section)</p>	<p>FINISH</p> <p>AW: architectural white (semi-matte) WH: white (semi-gloss) BL: black (semi-matte) MB: matte black ESS: environmental satin silver BZ: bronze PR: primer CF: consult factory for custom finish</p>

MOUNTING

	ORDERING CODE	DESCRIPTION
<p>"T" shape shown</p> 	SM	<p>SURFACE MOUNT</p> <p>Use appropriate fastener through Ø3/16" holes in Joining Module housing</p>
<p>"T" shape shown</p> 	C4 C8	<p>CABLE MOUNT</p> <p>Mounting option includes:</p> <ul style="list-style-type: none"> • Ø 1/16"x 48" (C4) or 96" (C8) aircraft cables • 18 gauge x 60" (C4) or 102" (C8) SJT power cable (in coordinating finish) • Bracket bars • Ø 5" white canopy for "P" power feed option • Ø 2" white canopy for "N" NO power option • Ceiling couplers • Side exit cable grippers

POWER FEED

ORDERING CODE	DESCRIPTION	SPECIFICATIONS
P	With power feed	<ul style="list-style-type: none"> • SM option Modules: Housing is provided with a Ø7/8" hole on mounting surface • CM option Modules: Supplied with 18 gauge x 60" (C4) or 108" (C8) SJT power cable (in coordinating finish) for maximum 6 Amp load and a Ø5" white canopy <p>NOTE: When using for emergency lighting, CONSULT FACTORY</p>
N	NO power feed	<ul style="list-style-type: none"> • CM option Modules: provided with a Ø2" white canopy

OPTIONS

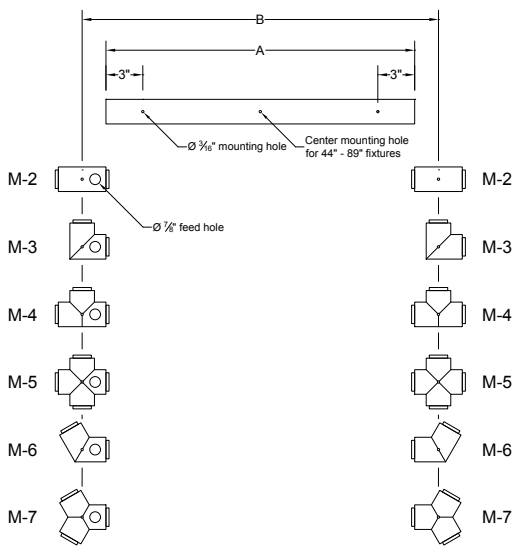
ORDERING CODE	DESCRIPTION	SPECIFICATIONS
	OCCUPANCY SENSOR	<p>Passive infrared occupancy sensor with hold-off daylighting adjustment (10-120 foot candles) and time delay adjustment from 30 seconds to 30 minutes</p> <p>Note: optical sensor is mounted in the Joining Module, while the control unit is mounted in an adjacent fixture housing (specify designated fixture with the "OC" option)</p>
S1	OCCUPANCY SENSOR - POSITION 1	Optical sensor located on the bottom side in the center

LENGTH/MOUNTING DIMENSIONS

FIXTURE ORDERING CODE	LENGTH A	LENGTH B	LENGTH C
2	22-1/8"	26"	23-5/16"
3	33-1/8"	37"	34-5/16"
4	44-1/8"	48"	45-5/16"
5	55-1/8"	59"	56-5/16"
6	66-1/8"	70"	67-5/16"
7	77-1/8"	81"	78-5/16"
8	88-1/8"	92"	89-5/16"

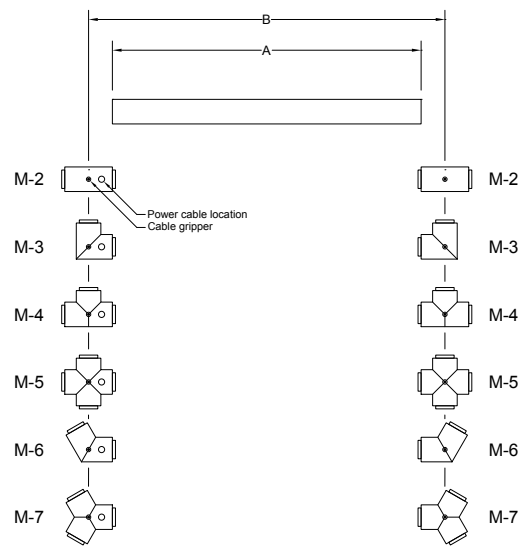
Note: Cable Center/Mounting Hole Dimensions "B" and "C" are constant, regardless of the Joining Module configuration.

"SM" - Surface Mount Adder Fixture



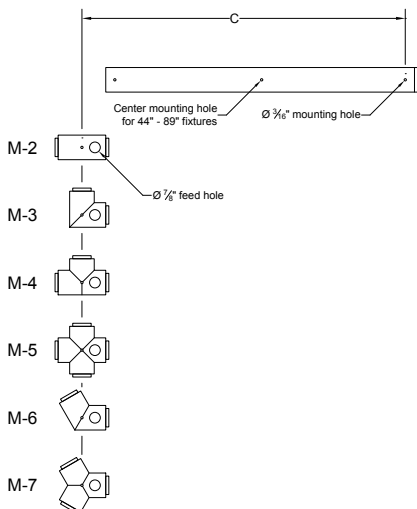
With "P" Power Feed Option

"CM" - Cable Mount Adder Fixture



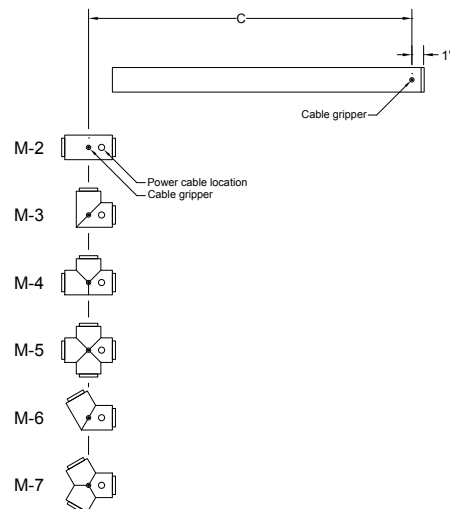
With "P" Power Feed Option

"SM" - Surface Mount Terminator Fixture



With "P" Power Feed Option

"CM" - Cable Mount Terminator Fixture



With "P" Power Feed Option

LAYOUT EXAMPLES

Below are a few examples of layouts that can be created with YoX Fixtures and Joining Modules. Use any combination of fixture lengths and module configurations to create unique shapes and designs.

IMPORTANT: Provide finished layout to Bartco Lighting for verification.

To aid in producing layouts, visit bartcoLIGHTING.com/BSS610 for access to CAD blocks.

