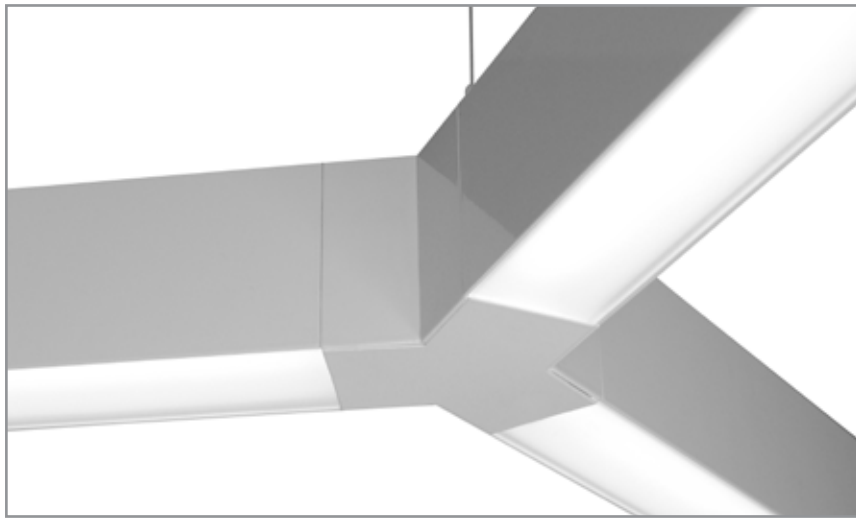


# BSS610 | GENERAL INFORMATION - FIXTURE HOUSING



2" wide multi-axis direct LED luminaire system

Project: \_\_\_\_\_ Type: \_\_\_\_\_



## FEATURES

Create an endless variety of multi-directional fixture runs and geometric shapes with the BS610 YoX linear LED system. This luminaire family consists of modular 2" wide by 3" tall extruded aluminum housings and joining modules in End, Straight, "L", "T", "Y", and "X" configurations. Fixtures can be surface or cable suspended and optioned with a variety of dimming drivers and occupancy sensor.

## SPECIFICATIONS

Fixture housings constructed an extruded aluminum housing, extruded, frosted acrylic lens and machined aluminum end caps

Mounting variations offered for surface or cable suspended applications

Fixture housings require BSS610-M Joining Modules for mounting and supplying power (specified separately)

Standard finishes include Fluoroscope White (semi-matte), white (semi-gloss), black (semi-matte), matte black, silver, platinum\*, bronze and primer powder coat, applied post production (consult factory for custom finishes)

Fixture modules available in nominal lengths of 22"-88" and are provided with suitable length wiring for connecting to adjacent fixtures or power modules

Standard integral 120-277V driver offered with 0-10V dimming or non-dim (other dimming driver options available)

Integral 120-277V emergency battery backup available for 44"-88" fixtures (remote battery backup available for shorter fixture lengths - ordered separately, consult factory for details)

Standard outputs are 5W or 8W nominal per foot

LEDs available in 3000K, 3500K, 4000K, 5000K, all with a typical 84-85 CRI and color consistency within a 3 step MacAdam ellipse

Lamp life rated at 50,000 hours

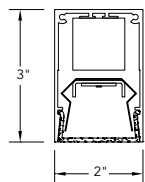
Limited five year warranty

UL and C-UL listed for dry and damp locations

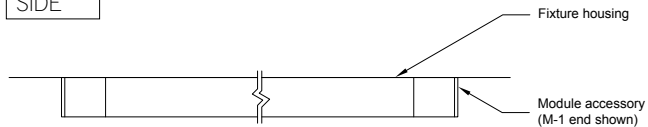
IBEW manufactured and assembled

Made in U.S.A.

## SECTION



## SIDE



## REFLECTED PLAN



## PERFORMANCE

NOMINAL LENGTH	WATTS/ft.	TOTAL WATTS	LUMINAIRE LUMENS	EFFICACY
45"				

\*Note: All data reflects fixtures with 3500K LEDs

## BSS610 +

NOMINAL FIXTURE LENGTH	COLOR TEMPERATURE	DRIVER	WATTS / FOOT	MOUNT	OPTIONS	FINISH
22 – 22-1/8"	30: 3000K - 84 CRI	<b>[Non-Dimming]</b> leave blank for non-dimming	5: 5 W/ft.	SM: surface mount	ED: emergency driver (44"-88" fixtures)	FW: Fluoroscope white (semi-matte)
33 – 33-1/8"	35: 3500K - 85 CRI	<b>[Dimming]</b> DM: 0-10V, 1%	8: 8 W/ft.	CM: cable mount	OC: occupancy sensor (see options section)	WH: white (semi-gloss)
44 – 44-1/8"	40: 4000K - 85 CRI	H2: Lutron Hi-lume 2-wire forward phase, 1%, (120V ONLY)	CF: consult factory for custom output	CF: consult factory for custom mounting		BL: black (semi-matte)
55 – 55-1/8"	50: 5000K - 85 CRI	H3: Lutron Hi-lume, 3-wire, 1%				MB: matte black
66 – 66-1/8"		EL: eldoLED ECOdrive 0-10V, 1%				SL: silver
77 – 77-1/8"						PT: platinum*
88 – 88-1/8"						BZ: bronze
						PR: primer
						CF: consult factory for custom finish

\* A standard finish requiring a two step coating process, premium will apply

## MOUNTING

	ORDERING CODE	DESCRIPTION
<p>Suitable anchor and blocking as required (by others)</p> <p>Joining Module M-1 end shown</p> <p>Fixture housing</p>	SM	<p>SURFACE MOUNT</p> <ul style="list-style-type: none"> <li>• Use appropriate fastener through Ø3/16" holes in housing</li> <li>• Power is supplied through an adjacent Joining Module</li> </ul>
<p>Joining Module M-1 end shown</p> <p>Fixture housing</p>	CM	<p>CABLE MOUNT</p> <ul style="list-style-type: none"> <li>• Mounting accomplished with adjacent, cable suspended Joining Modules</li> <li>• Power is supplied through an adjacent cable suspended Joining Module</li> </ul>

## OPTIONS

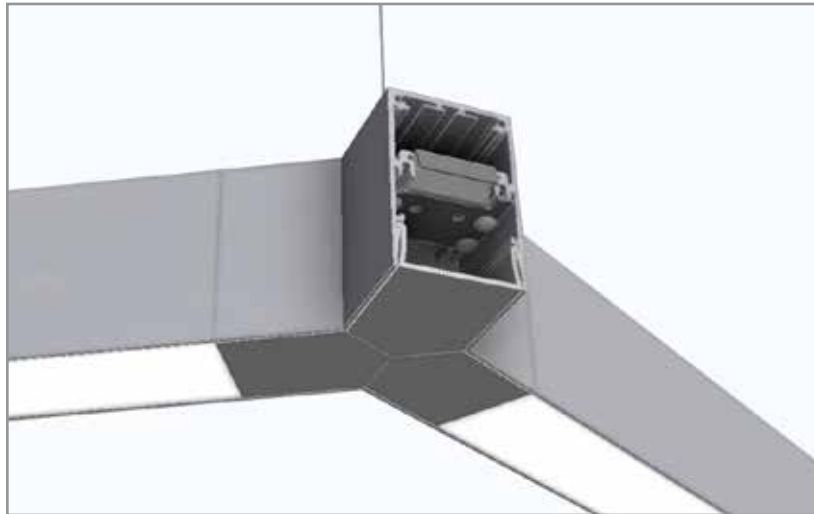
ORDERING CODE	DESCRIPTION	SPECIFICATIONS
ED	EMERGENCY LED DRIVER	<ul style="list-style-type: none"> <li>• Universal 120-277V input voltage emergency driver delivers initial minimum power of 10W for 90 minutes</li> <li>• Available for 44"-88" fixtures</li> <li>• Provided with combination test switch/indicator light mounted on housing top for suspended applications or the housing underside for surface mount applications</li> <li>• Contractor to run necessary wiring through fixture arrays</li> </ul> <p>Note: remote battery backup available for shorter fixture lengths- ordered separately, consult factory for details</p>
OC	OCCUPANCY SENSOR	<p>Passive infrared occupancy sensor with hold-off daylighting adjustment (10-120 foot candles) and time delay adjustment from 30 seconds to 30 minutes</p> <p><b>Note: control unit located in fixture housing while optical sensor is mounted to an adjacent Joining Module</b></p>

# BSS610-M | GENERAL INFORMATION - JOINING MODULE ACCESSORY



Joining modules for BSS610 LED fixture housing

Project: \_\_\_\_\_ Type: \_\_\_\_\_



## SPECIFICATIONS

Joining Modules constructed an extruded aluminum housing, and machined aluminum end caps

Standard finishes include Fluoroscope White (semi-matte), white (semi-gloss), black (semi-matte), matte black, silver, platinum\*, bronze and primer powder coat, applied post production (consult factory for custom finishes)

Modules available in End, Straight, 90° "L", 90° "T", 90° "X", 120° "L" and 120° "Y" configurations

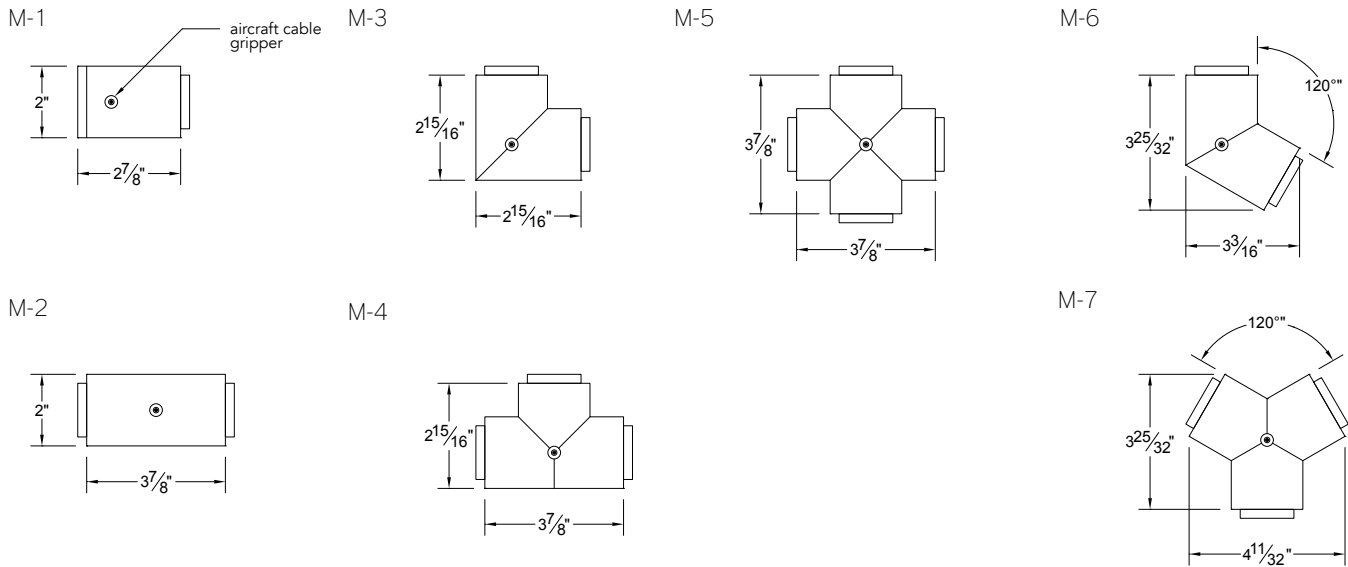
Mounting variations offered for surface or cable suspended applications

Cable suspended modules with the power feed option provided with coordinating (white, black, metal braided) 18 ga. power cable for load up to 6 Amps

Passive infrared occupancy sensor available for 34" and longer fixtures

## PLAN

(Cable mount, no power feed shown)



## BSS610-M +

<div style="border: 1px solid black; width: 40px; height: 20px; margin: 0 auto;"></div> <p><b>MODULE CONFIGURATION</b></p> <p>1: end 2: straight 3: L - 90° 4: T - 90° 5: X - 90° 6: L - 120° 7: Y - 120°</p>	+	<div style="border: 1px solid black; width: 40px; height: 20px; margin: 0 auto;"></div> <p><b>MOUNT</b></p> <p>SM: surface mount CM48: cable mount 48" cable length CM96: cable mount 96" cable length CF: consult factory for custom mounting</p>	+	<div style="border: 1px solid black; width: 40px; height: 20px; margin: 0 auto;"></div> <p><b>POWER FEED</b></p> <p>N: no power P: power</p>	+	<div style="border: 1px solid black; width: 40px; height: 20px; margin: 0 auto;"></div> <p><b>OPTIONS</b></p> <p>S!: occ sensor pos. 1 (see options section)</p>	+	<div style="border: 1px solid black; width: 40px; height: 20px; margin: 0 auto;"></div> <p><b>FINISH</b></p> <p>FW: Fluoroscope white (semi-matte) WH: white (semi-gloss) BL: black (semi-matte) MB: matte black SL: silver PT: platinum* BZ: bronze PR: primer CF: consult factory for custom finish</p>
---	---	--	---	--	---	--	---	---

\* A standard finish requiring a two step coating process, premium will apply

## MOUNTING

	ORDERING CODE	DESCRIPTION
	SM	<b>SURFACE MOUNT</b>  Use appropriate fastener through Ø3/16" holes in Joining Module housing

	CM48 CM96	<b>CABLE MOUNT</b>  Mounting option includes: <ul style="list-style-type: none"> <li>• Ø 1/16"x 48" (CM48) or 96" (CM96) aircraft cables</li> <li>• 18 gauge x 60" (CM48) or 102" (CM96) SJT power cable (in coordinating finish)</li> <li>• Bracket bars</li> <li>• Ø 5" white canopy for "P" power feed option</li> <li>• Ø 2" white canopy for "N" NO power option</li> <li>• Ceiling couplers</li> <li>• Side exit cable grippers</li> </ul>
--	--------------	--

## POWER FEED

ORDERING CODE	DESCRIPTION	SPECIFICATIONS
P	With power feed	<ul style="list-style-type: none"> <li>• SM option Modules: Housing is provided with a Ø7/8" hole on mounting surface</li> <li>• CM option Modules: Supplied with 18 gauge x 60" (CM48) or 108" (CM96) SJT power cable (in coordinating finish) for maximum 6 Amp load and a Ø5" white canopy</li> </ul> <p><b>NOTE: When using for emergency lighting, CONSULT FACTORY</b></p>
N	NO power feed	<ul style="list-style-type: none"> <li>• CM option Modules: provided with a Ø2" white canopy</li> </ul>

## OPTIONS

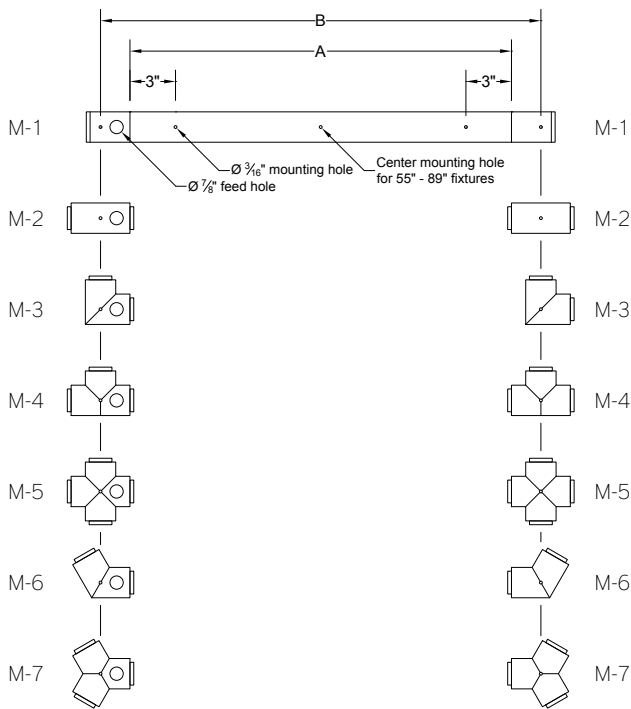
ORDERING CODE	DESCRIPTION	SPECIFICATIONS
	OCCUPANCY SENSOR	Passive infrared occupancy sensor with hold-off daylighting adjustment (10-120 foot candles) and time delay adjustment from 30 seconds to 30 minutes  <p><b>Note: optical sensor is mounted in the Joining Module, while the control unit is mounted in an adjacent fixture housing (specify designated fixture with the "OC" option)</b></p>
S1	OCCUPANCY SENSOR - POSITION 1	Optical sensor located on the bottom side in the center

## LENGTH / MOUNTING DIMENSIONS

Note: Cable Center/Mounting Hole Dimension "B" is constant, regardless of the Joining Module configuration.

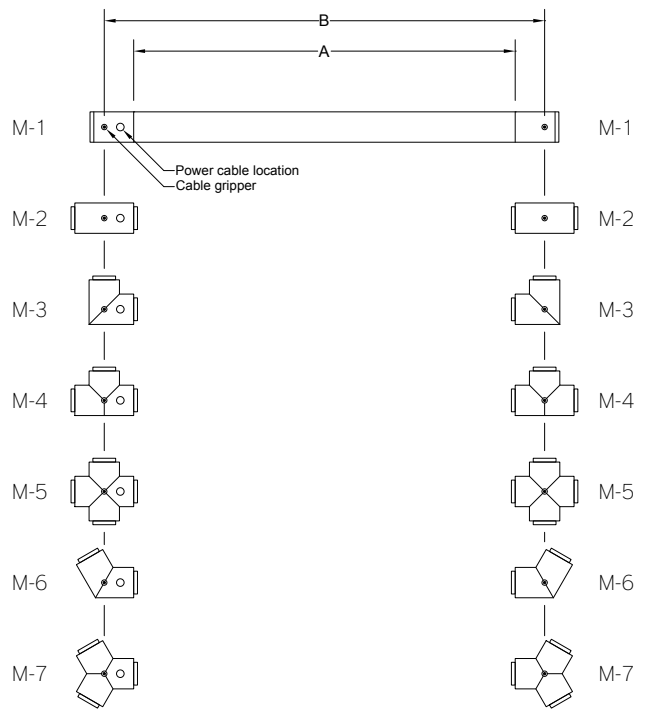
FIXTURE LENGTH ORDERING CODE	LENGTH A	LENGTH B
22	22-1/8"	26"
33	33-1/8"	37"
44	44-1/8"	48"
55	55-1/8"	59"
66	66-1/8"	70"
77	77-1/8"	81"
88	88-1/8"	92"

"SM" - Surface Mount Option



With "P" Power Feed Option

"CM" - Cable Mount Option



With "P" Power Feed Option

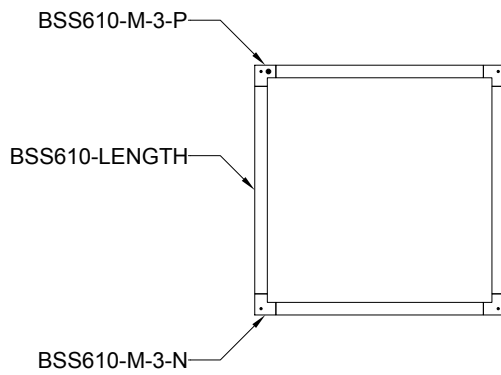
## LAYOUT EXAMPLES

Below are a few examples of layouts that can be created with YoX Fixtures and Joining Modules. Use any combination of fixture lengths and module configurations to create unique shapes and designs.

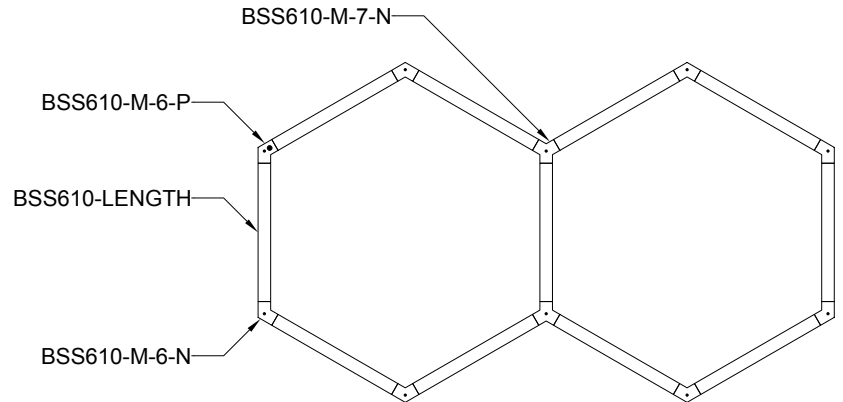
IMPORTANT: Provide finished layout to Bartco Lighting for verification.

To aid in producing layouts, visit [bartcoLIGHTING.com/product/BSS610/layouttools](http://bartcoLIGHTING.com/product/BSS610/layouttools) for access to CAD blocks.

### SQUARE



### HEXAGON



### FREESTYLE

