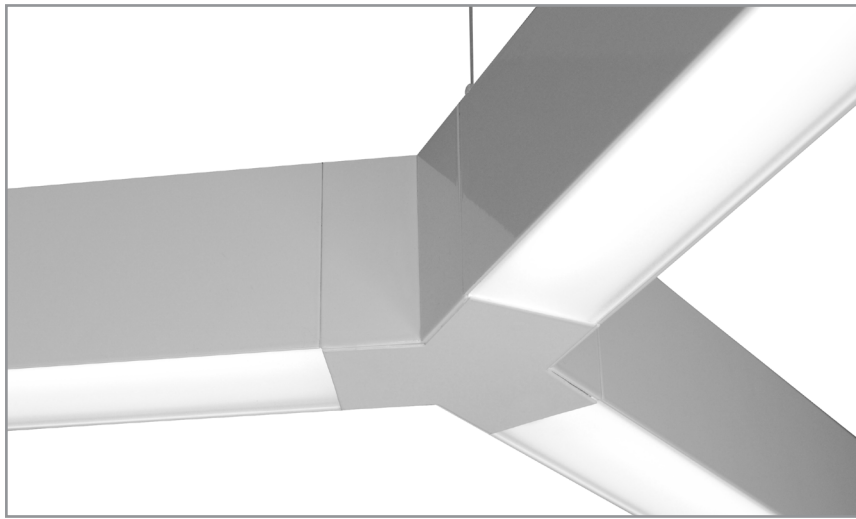


# BSS610 | GENERAL INFORMATION - FIXTURE HOUSING



2" wide multi-axis direct LED luminaire system

Project: \_\_\_\_\_ Type: \_\_\_\_\_



## FEATURES

Create an endless variety of multi-directional fixture runs and geometric shapes with the BS610 YoX linear LED system. This luminaire family consists of modular 2" wide by 3" tall extruded aluminum housings and joining modules in End, Straight, "L", "T", "Y", and "X" configurations. Fixtures can be surface or cable suspended and optioned with a variety of dimming drivers and occupancy sensor.

## SPECIFICATIONS

Fixture housings constructed an extruded aluminum housing, extruded, frosted acrylic lens and machined aluminum end caps

Mounting variations offered for surface or cable suspended applications

Fixture housings require BSS610-M Joining Modules for mounting and supplying power (specified separately)

Standard finishes include architectural white (semi-matte), white (semi-gloss), black (semi-matte), matte black, silver, bronze and primer powder coat, applied post production (consult factory for custom finishes)

Fixture modules available in nominal lengths of 2'-8' and are provided with 18 ga. wiring harnesses (6 Amp max. load) at a suitable length for connecting to adjacent fixtures or power modules (consult factory for runs requiring multiple circuits, sensor integration, etc.)

Standard integral 120-277V driver offered with 0-10V dimming or non-dim (other dimming driver options available)

Integral 120-277V emergency battery backup available for 4'-8' fixtures (remote battery backup available for shorter fixture lengths - ordered separately, consult factory for details)

Standard outputs are 680 and 880 lumens per foot

LEDs available in 2700K, 3000K, 3500K and 4000K, all with a typical 90+ CRI and color consistency within a 3 step MacAdam ellipse

Lamp life rated at 50,000 hours

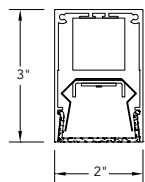
Limited five year warranty

UL and C-UL listed for dry and damp locations

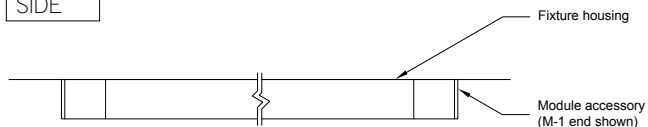
IBEW manufactured and assembled

Made in U.S.A.

## SECTION



## SIDE



## REFLECTED PLAN



## PERFORMANCE

NOMINAL LENGTH	OUTPUT	LUMENS/ft.	WATTS/ft.	LUMINAIRE LUMENS	EFFICACY
4'	L: low	680	6.4	2500	107
	R: regular	880	8.8	3240	100

\*Note: All data reflects fixtures with 3500K LEDs

## BSS610 +

<b>SHAPE</b>	<b>NOMINAL FIXTURE LENGTH</b>	<b>COLOR TEMPERATURE</b>	<b>DRIVER</b>	<b>OUTPUT</b>	<b>MOUNT</b>	<b>FINISH</b>	<b>OPTIONS</b>
A: square B: single hex C: double hex D: X E: Y F: ?	2: 2' 3: 3' 4: 4' 5: 5' 6: 6' 7: 7' 8: 8'	27: 2700K-90+CRI 30: 3000K-90+CRI 35: 3500K-90+CRI 40: 4000K-90+CRI	<b>[Non-Dimming]</b> leave blank for non-dimming <b>[Dimming]</b> DM: 0-10V, 1% HE: Lutron EcoSystem, 1% HES: Lutron EcoSystem, soft-on/ fade-to-black, 1% H2: Lutron Hi-lume 2-wire forward phase, 1%, (120V ONLY) H3: Lutron Hi-lume, 3-wire, 1% E5: Lutron EcoSystem 5-Series, 5% EL: eldoLED ECOdrive 0-10V, 1%	L: low - 680 lm/ft. R: regular - 880 lm/ft. CF: consult factory for custom output	SM: surface mount CM: cable mount CF: consult factory for custom mounting	AW: architectural white (semi-matte) WH: white (semi-gloss) BL: black (semi-matte) MB: matte black SL: silver BZ: bronze PR: primer CF: consult factory for custom finish	ED: emergency driver (44"-88" fixtures) OC: occupancy sensor (see options section)

## MOUNTING

	ORDERING CODE	DESCRIPTION
	SM	<p>SURFACE MOUNT</p> <ul style="list-style-type: none"> <li>• Use appropriate fastener through <math>\varnothing 3/16</math>" holes in housing</li> <li>• Power is supplied through an adjacent Joining Module</li> </ul>
	CM	<p>CABLE MOUNT</p> <ul style="list-style-type: none"> <li>• Mounting accomplished with adjacent, cable suspended Joining Modules</li> <li>• Power is supplied through an adjacent cable suspended Joining Module</li> </ul>

## OPTIONS

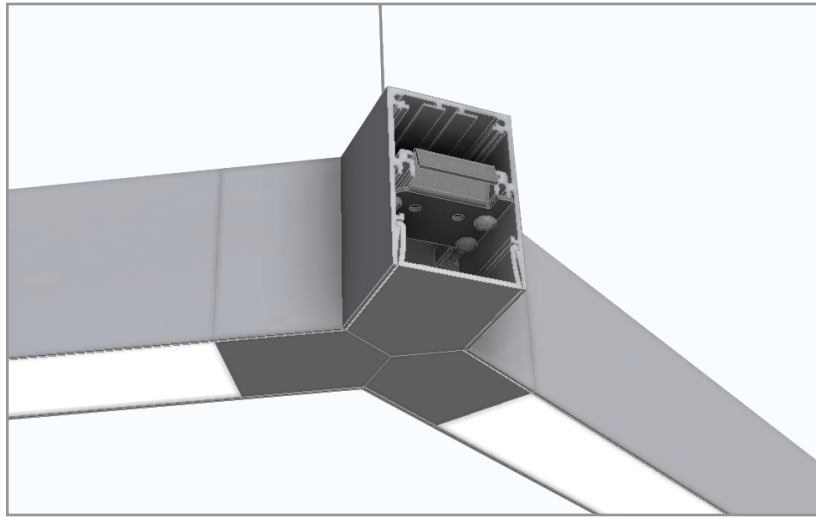
ORDERING CODE	DESCRIPTION	SPECIFICATIONS
ED	EMERGENCY LED DRIVER	<ul style="list-style-type: none"> <li>• Universal 120-277V input voltage emergency driver delivers initial minimum power of 10W for 90 minutes</li> <li>• Available for 44"-88" fixtures</li> <li>• Provided with combination test switch/indicator light mounted on housing top for suspended applications or the housing underside for surface mount applications</li> <li>• Contractor to run necessary wiring through fixture arrays</li> </ul> <p>Note: remote battery backup available for shorter fixture lengths- ordered separately, consult factory for details</p>
OC	OCCUPANCY SENSOR	<p>Passive infrared occupancy sensor with hold-off daylighting adjustment (10-120 foot candles) and time delay adjustment from 30 seconds to 30 minutes</p> <p><b>Note: control unit located in fixture housing while optical sensor is mounted to an adjacent Joining Module</b></p>

# BSS610-M | GENERAL INFORMATION - JOINING MODULE ACCESSORY



Joining modules for BSS610 LED fixture housing

Project: \_\_\_\_\_ Type: \_\_\_\_\_



## SPECIFICATIONS

Joining Modules constructed an extruded aluminum housing, and machined aluminum end caps

Standard finishes include architectural white (semi-matte), white (semi-gloss), black (semi-matte), matte black, silver, bronze and primer powder coat, applied post production (consult factory for custom finishes)

Modules available in End, Straight, 90° "L", 90° "T", 90° "X", 120° "L" and 120° "Y" configurations

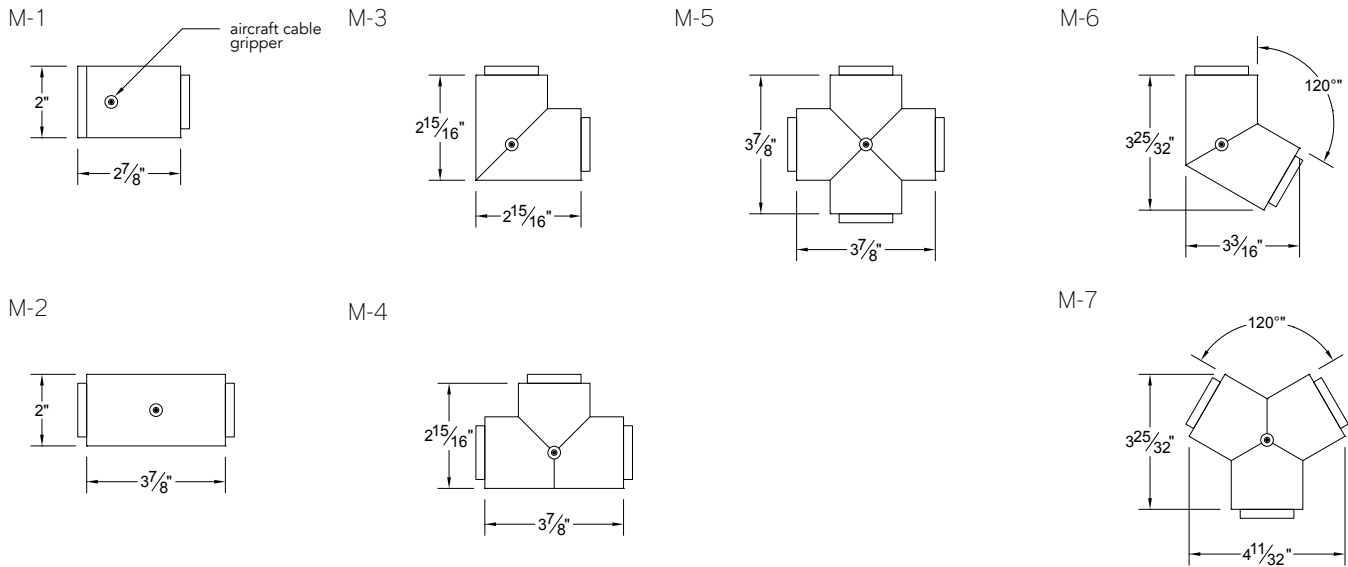
Mounting variations offered for surface or cable suspended applications

Cable suspended modules with the power feed option provided with coordinating (white, metal braided) 18 ga. power cable for load up to 6 Amps

Passive infrared occupancy sensor available for 3' and longer fixtures

## PLAN

(Cable mount, no power feed shown)



## BSS610-M +

+	+	+	+	+				
<div style="border: 1px solid black; width: 40px; height: 20px; margin: 0 auto;"></div> <p><b>MODULE CONFIGURATION</b></p> <ul style="list-style-type: none"> <li>1: end</li> <li>2: straight</li> <li>3: L - 90°</li> <li>4: T - 90°</li> <li>5: X - 90°</li> <li>6: L - 120°</li> <li>7: Y - 120°</li> </ul>	+	<div style="border: 1px solid black; width: 40px; height: 20px; margin: 0 auto;"></div> <p><b>MOUNT</b></p> <ul style="list-style-type: none"> <li>SM: surface mount</li> <li>C4: cable mount 4' cable length</li> <li>C8: cable mount 8' cable length</li> <li>CF: consult factory for custom mounting</li> </ul>	+	<div style="border: 1px solid black; width: 40px; height: 20px; margin: 0 auto;"></div> <p><b>POWER FEED</b></p> <ul style="list-style-type: none"> <li>N: no power</li> <li>P: power</li> </ul>	+	<div style="border: 1px solid black; width: 40px; height: 20px; margin: 0 auto;"></div> <p><b>OPTIONS</b></p> <p>S1: occ sensor pos. 1 (see options section)</p>	+	<div style="border: 1px solid black; width: 40px; height: 20px; margin: 0 auto;"></div> <p><b>FINISH</b></p> <ul style="list-style-type: none"> <li>AW: architectural white (semi-matte)</li> <li>WH: white (semi-gloss)</li> <li>BL: black (semi-matte)</li> <li>MB: matte black</li> <li>SL: silver</li> <li>BZ: bronze</li> <li>PR: primer</li> <li>CF: consult factory for custom finish</li> </ul>

## MOUNTING

	ORDERING CODE	DESCRIPTION
	SM	<b>SURFACE MOUNT</b>  Use appropriate fastener through $\text{Ø}3/16"$ holes in Joining Module housing

	C4 C8	<b>CABLE MOUNT</b> Mounting option includes: <ul style="list-style-type: none"> <li>• <math>\text{Ø} 1/16"</math> x 48" (C4) or 96" (C8) aircraft cables</li> <li>• 18 gauge x 60" (C4) or 102" (C8) SJT power cable (in coordinating finish)</li> <li>• Bracket bars</li> <li>• <math>\text{Ø} 5"</math> white canopy for "P" power feed option</li> <li>• <math>\text{Ø} 2"</math> white canopy for "N" NO power option</li> <li>• Ceiling couplers</li> <li>• Side exit cable grippers</li> </ul>
--	----------	---

## POWER FEED

ORDERING CODE	DESCRIPTION	SPECIFICATIONS
P	With power feed	<ul style="list-style-type: none"> <li>• SM option Modules: Housing is provided with a <math>\text{Ø}7/8"</math> hole on mounting surface</li> <li>• CM option Modules: Supplied with 18 gauge x 60" (C4) or 108" (C8) SJT power cable (in coordinating finish) for maximum 6 Amp load and a <math>\text{Ø}5"</math> white canopy</li> </ul> <p><b>NOTE: When using for emergency lighting, CONSULT FACTORY</b></p>
N	NO power feed	<ul style="list-style-type: none"> <li>• CM option Modules: provided with a <math>\text{Ø}2"</math> white canopy</li> </ul>

## OPTIONS

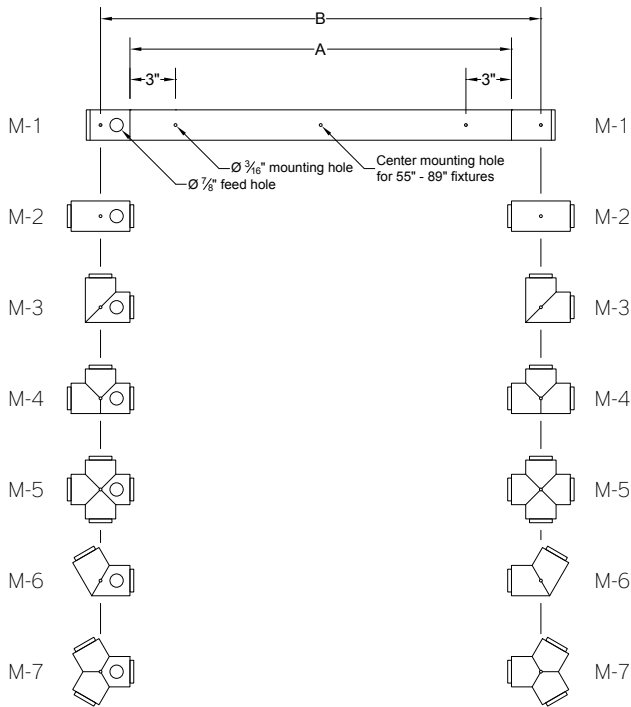
ORDERING CODE	DESCRIPTION	SPECIFICATIONS
	OCCUPANCY SENSOR	Passive infrared occupancy sensor with hold-off daylighting adjustment (10-120 foot candles) and time delay adjustment from 30 seconds to 30 minutes  <p><b>Note: optical sensor is mounted in the Joining Module, while the control unit is mounted in an adjacent fixture housing (specify designated fixture with the "OC" option)</b></p>
S1	OCCUPANCY SENSOR - POSITION 1	Optical sensor located on the bottom side in the center

## LENGTH / MOUNTING DIMENSIONS

Note: Cable Center/Mounting Hole Dimension "B" is constant, regardless of the Joining Module configuration.

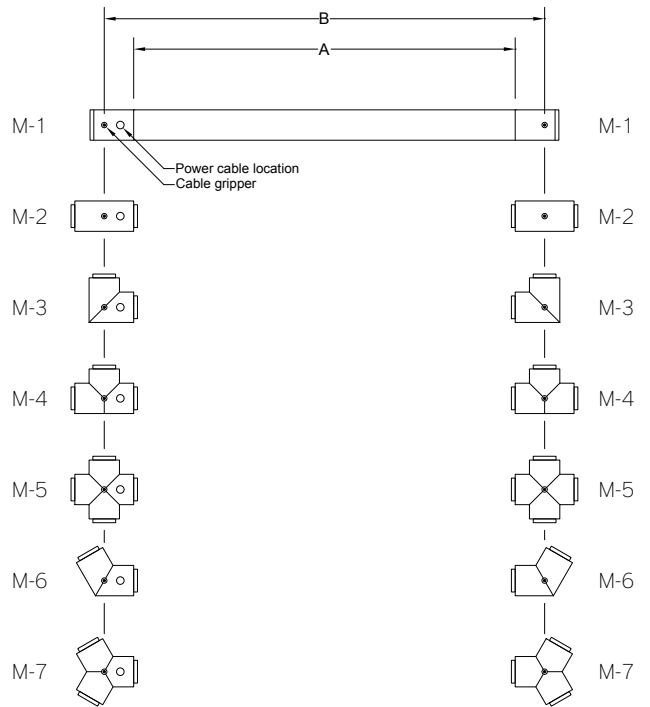
FIXTURE ORDERING CODE	LENGTH A	LENGTH B
2	22-1/8"	26"
3	33-1/8"	37"
4	44-1/8"	48"
5	55-1/8"	59"
6	66-1/8"	70"
7	77-1/8"	81"
8	88-1/8"	92"

"SM" - Surface Mount Option



With "P" Power Feed Option

"CM" - Cable Mount Option



With "P" Power Feed Option