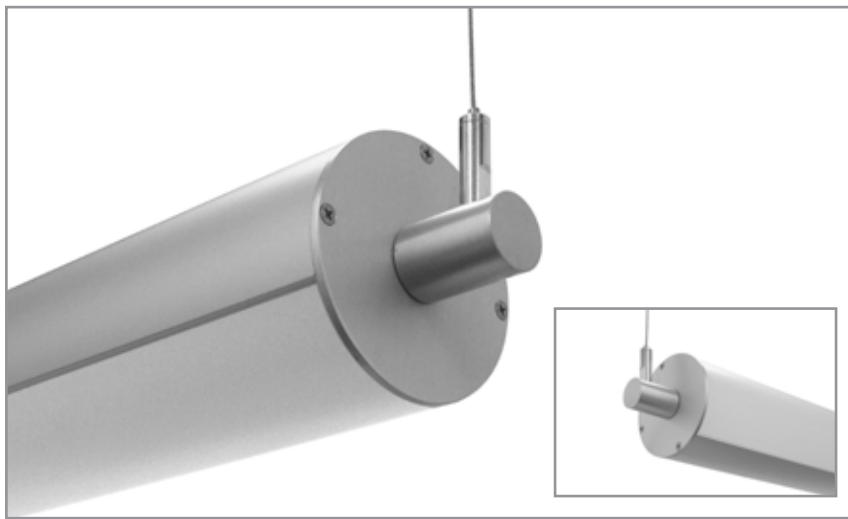


BSS522 | GENERAL INFORMATION

3-1/2" O.D. cylindrical, cable mounted LED fixture

Project: _____ Type: _____



FEATURES

Part of the Tubular series of LED luminaires, the BSS522 is an integrally driven, suspended linear LED luminaire for general lighting applications. Fitted to machined aluminum cable couplers, the Ø3-1/2" extruded aluminum fixture housing rotates 341° allowing the fixture to act as an up light, down light or wall washer. A frosted acrylic lens softly diffuses light from tightly spaced diodes.

SPECIFICATIONS

Fixture constructed of an extruded aluminum housing, frosted acrylic extruded lens, sheet aluminum end caps and machine aluminum cable couplers

Cable couplers allow housing rotation of 341°

Standard finishes include satin anodize or Fluoroscope White (semi-matte), white (semi-gloss), black (semi-matte), matte black, silver, platinum*, bronze and primer powder coat, applied post production (consult factory for custom finishes)

Available in nominal cable centers of 26"-92" for single fixtures and continuous runs

Fixtures include coordinating (white, metal braided) 18 ga. power cable

Standard integral 120-277V driver offered with 0-10V dimming or non-dim (other dimming driver options available)

Remote mounted emergency battery backup available (ordered separately, consult factory for details)

Standard outputs are 5W or 8W nominal per foot

LEDs available in 3000K, 3500K, 4000K, 5000K, all with a typical 84-85 CRI and color consistency within a 3 step MacAdam ellipse

Lamp life rated at 50,000 hours

Limited five year warranty

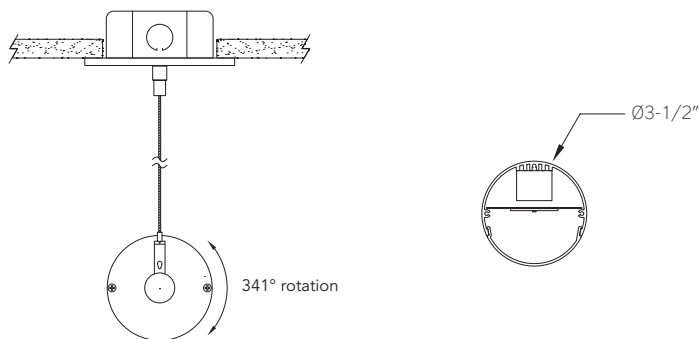
UL and C-UL listed for dry and damp locations

IBEW manufactured and assembled

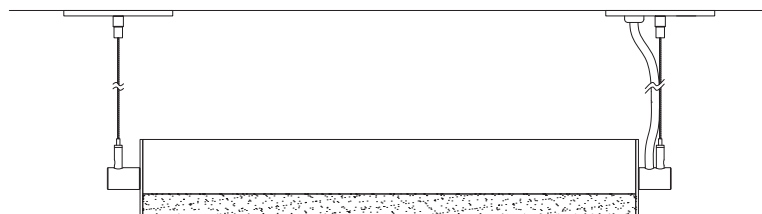
Made in U.S.A.

PROFILE

SECTION



SIDE



PERFORMANCE

*Note: All data reflects fixtures with 3500K LEDs

NOMINAL LENGTH	WATTS/FT.	TOTAL WATTS	LUMINAIRE LUMENS	EFFICACY
45"	8.5	31.8	3544	111

BSS522 +

**NOMINAL CABLE CENTER DISTANCE

26: 25-1/4"
37: 36-1/4"
48: 47-1/4"
59: 58-1/4"
70: 69-1/4"
81: 80-1/4"
92: 91-1/4"

COLOR TEMPERATURE

30: 3000K - 84 CRI
35: 3500K - 85 CRI
40: 4000K - 85 CRI
50: 5000K - 85 CRI

DRIVER

[Non-Dimming]
leave blank for non-dimming

[Dimming]
DM: 0-10V, 1%
HE: Lutron EcoSystem, 1%
HES: Lutron EcoSystem, soft-on/fade-to-black, 1%
H2: Lutron Hi-lume 2-wire forward phase, 1%, (120V ONLY)
H3: Lutron Hi-lume, 3-wire, 1%
EL: eldoLED ECOdrive 0-10V, 1%

WATTS/FOOT

5: 5 W/ft.
8: 8.5 W/ft.
CF: consult factory for custom wattage

MOUNT

CM48: 48" cable length
CM96: 96" cable length
CF: consult factory for custom mounting

RUN CONFIGURATION

SN: single
ST: starter
AD: adder
TR: terminator

FINISH

SA: satin anodize
FW: Fluoroscope white (semi-matte)
WH: white (semi-gloss)
BL: black (semi-matte)
MB: matte black
SL: silver
PT: platinum*
BZ: bronze
PR: primer
CF: consult factory for custom finish

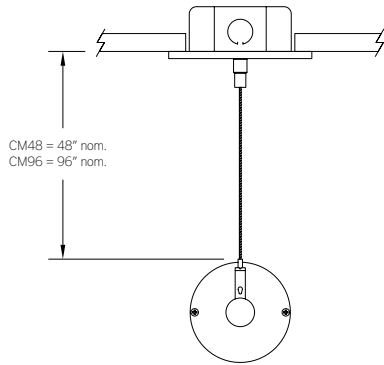
* A standard finish requiring a two step coating process - premium will apply

**Actual dimension dependent on run configuration

MOUNTING

ORDERING CODE

DESCRIPTION



CM48 and CM96

CABLE MOUNT

Mounting option includes:

- \varnothing 1/16" x 48" (CM48) or 96" (CM96) aircraft cables
- 18 gauge x 60" (CM48) or 108" (CM96) SJT power cable (in coordinating finish)
- Bracket bars
- \varnothing 5" white canopies
- Ceiling couplers
- Side exit cable grippers