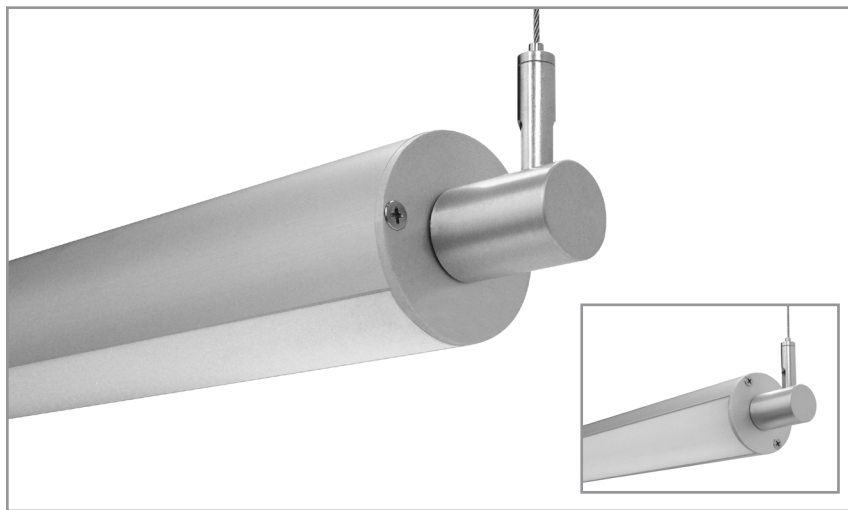


# BSS512 | TUBULAR

Ø2-1/4" suspended adjustable LED luminaire, remote driver

Project: \_\_\_\_\_ Type: \_\_\_\_\_



## FEATURES

Part of the Tubular series of LED luminaires, the BSS512 is a remote driven, suspended linear LED luminaire for general lighting applications. Fitted to machined aluminum cable couplers, the Ø2-1/4" extruded aluminum fixture housing rotates 341° allowing the fixture to act as an up light, down light or wall washer.

## SPECIFICATIONS

Fixture constructed of an extruded aluminum housing, frosted acrylic extruded lens, sheet aluminum end caps and machined aluminum couplers

Standard finishes as shown below

Available in nominal cable centers of 2'-8" for single fixtures and continuous runs

Fixture housing rotates 341° on end cap mounted couplers

Included standard remote 120-277V driver offered with 0-10V dimming or non-dim (other dimming driver options available)

Remote mounted emergency battery backup available (ordered separately, consult factory for details)

Standard outputs are 640, 830 and 1090 lumens per foot

LEDs available in 2700K, 3000K, 3500K, and 4000K, within a 3 step MacAdam ellipse, all with 90+ CRI typical

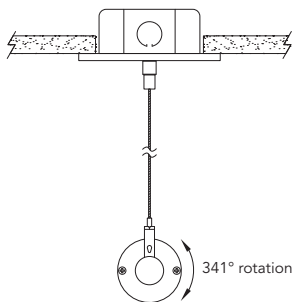
Life: 50,000 hours L<sub>70</sub>

Limited five year warranty

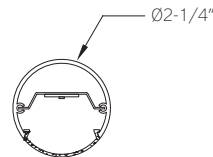
UL and C-UL listed for dry and damp locations



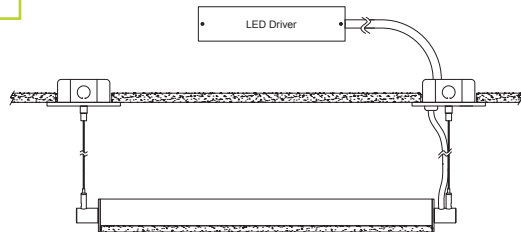
## PROFILE



## SECTION



## SIDE



## PERFORMANCE

Note: All data reflects fixtures with 3500K LEDs

NOMINAL LENGTH	OUTPUT	LUMENS/ft.	WATTS/ft.	LUMINAIRE LUMENS	EFFICACY (LPW)
4'	L: low	640	4.6	2366	138
	R: regular	830	7.6	3073	110
	H: high	1090	10.5	4038	104

## BSS512 -

### NOMINAL CABLE CENTER DISTANCE\*

- 2: 25-1/4"
- 3: 36-1/4"
- 4: 47-1/4"
- 5: 58-1/4"
- 6: 69-1/4"
- 7: 80-1/4"
- 8: 91-1/4"

### CORRELATED COLOR TEMPERATURE

- 27: 2700K-90+ CRI
- 30: 3000K-90+ CRI
- 35: 3500K-90+ CRI
- 40: 4000K-90+ CRI

### DRIVER

- ND: non-dimming
- [Dimming]**
- D: 0-10V, 1%
- DTR: triac, 1%
- DLV: electronic low voltage, 1%
- HES: Lutron EcoSystem, soft-on fade-to-black, 1%
- EL: eldoLED ECOdrive 0-10V, 1%
- ES: eldoLED SOLOdrive 0-10V, 0.1%
- ELD: eldoLED ECOdrive DALI, 1%
- ESD: eldoLED SOLOdrive DALI, 0.1%

### LIGHT OUTPUT (lumens per foot)

- L: low – 640
- R: regular – 830
- H: high – 1090
- CF: consult factory for custom wattage

### RUN CONFIGURATION

- SN: single
- ST: starter
- AD: adder
- TR: terminator

### MOUNT

- C4: 4' cable length
- C8: 8' cable length
- CF: consult factory for custom mounting

### FINISH

- AW: architectural white (semi-matte)
- WH: white (semi-gloss)
- BL: black (semi-matte)
- MB: matte black
- ESS: environmental satin silver
- BZ: bronze
- PR: primer
- CF: consult factory for custom finish
- SA: satin anodize (may require additional lead time)

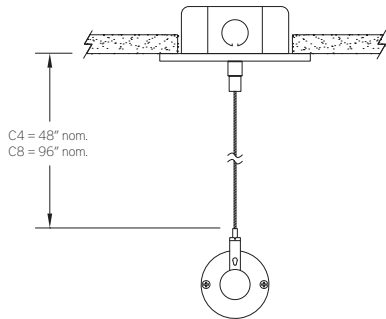
Note: Each fixture includes a remote driver matched for fixture length and light output.

\* Actual dimension dependent on run configuration.

MOUNTING

ORDERING CODE

DESCRIPTION



C4 and C8

CABLE MOUNT

Mounting option includes:

- Ø 1/16" x 48" (C4) or 96" (C8) aircraft cables
- 60" (C4) or 108" (C8) power cable (in coordinating finish)
- Bracket bars
- Ø 5" white canopies
- Ceiling couplers
- Side exit cable grippers

# BSS512 | TUBULAR

Ø2-1/4" suspended adjustable LED luminaire, remote driver

## CABLE CENTER DIMENSIONS

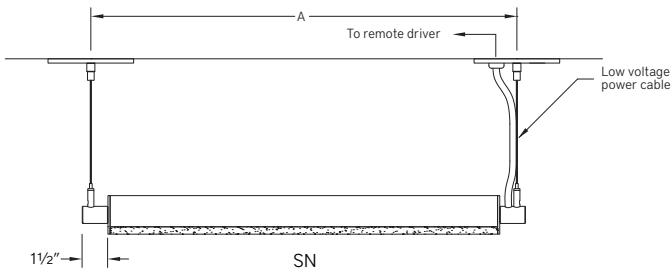
ORDERING CODE	LENGTH A	LENGTH B
2	25-1/4"	24-3/4"
3	36-1/4"	35-3/4"
4	47-1/4"	46-3/4"
5	58-1/4"	57-3/4"
6	69-1/4"	68-3/4"
7	80-1/4"	79-3/4"
8	91-1/4"	90-3/4"

## RUN CONFIGURATION INFORMATION

ORDERING CODE	DESCRIPTION
SN	Single
ST	Starter
AD	Adder
TR	Terminator

## RUN INFORMATION

Side View - Single Fixture Option



Side View - Continuous Option

