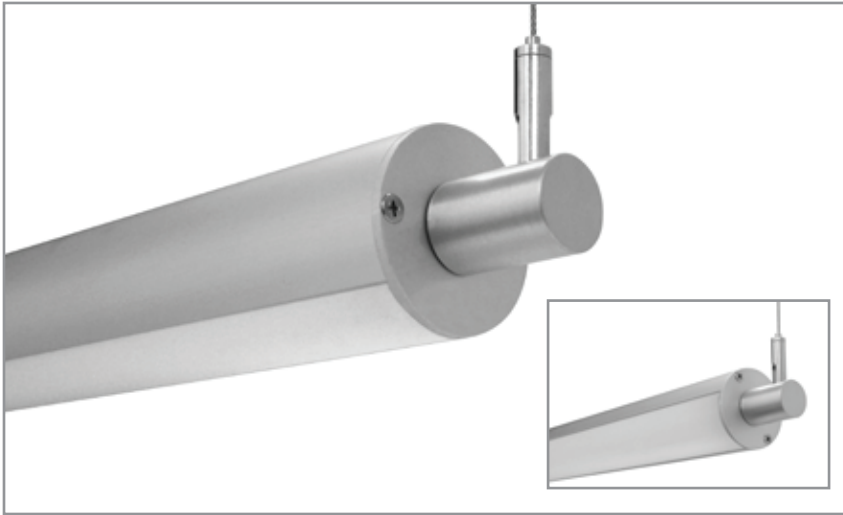


BSS512 | TUBULAR GENERAL INFORMATION



2-1/4" O.D. cylindrical, cable mounted LED luminaire, for remote driver operation

Project: _____ Type: _____



FEATURES

Part of the Tubular series of LED luminaires, the BSS512 is a remote driven, suspended linear LED luminaire for general lighting applications. Fitted to machined aluminum cable couplers, the Ø2-1/4" extruded aluminum fixture housing rotates 341° allowing the fixture to act as an up light, down light or wall washer.

SPECIFICATIONS

Fixture constructed of an extruded aluminum housing, frosted acrylic extruded lens, sheet aluminum end caps and machined aluminum couplers

Standard finishes as shown below

Available in nominal cable centers of 2'-8" for single fixtures and continuous runs

Fixture housing rotates 341° on end cap mounted couplers

Included standard remote 120-277V driver offered with 0-10V dimming or non-dim (other dimming driver options available)

Remote mounted emergency battery backup available (ordered separately, consult factory for details)

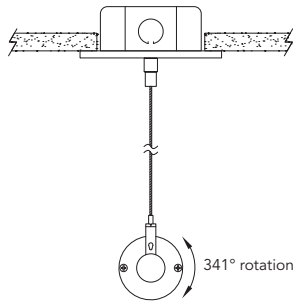
Standard outputs are 640, 830 and 1090 lumens per foot

LEDs available in 2700K, 3000K, 3500K, and 4000K, within a 3 step MacAdam ellipse, all with 90+ CRI typical

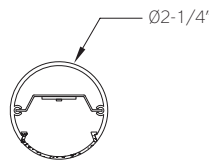
Life: 50,000 hours L70

Limited five year warranty

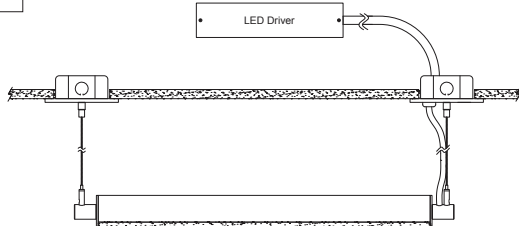
PROFILE



SECTION



SIDE



PERFORMANCE

*Note: All data reflects fixtures with 3500K LEDs

| NOMINAL LENGTH | OUTPUT | LUMENS/ft. | WATTS/ft. | LUMINAIRE LUMENS | EFFICACY (LPW) |
|----------------|------------|------------|-----------|------------------|----------------|
| 4' | L: low | 640 | 4.6 | 2366 | 138 |
| | R: regular | 830 | 7.6 | 3073 | 110 |
| | H: high | 1090 | 10.5 | 4038 | 104 |

BSS512 -

NOMINAL CABLE CENTER DISTANCE**

- 2: 25-1/4"
- 3: 36-1/4"
- 4: 47-1/4"
- 5: 58-1/4"
- 6: 69-1/4"
- 7: 80-1/4"
- 8: 91-1/4"

CORRELATED COLOR TEMPERATURE

- 27: 2700K-90+ CRI
- 30: 3000K-90+ CRI
- 35: 3500K-90+ CRI
- 40: 4000K-90+ CRI

DRIVER

- ND: non-dimming [Dimming]
- D: 0-10V, 1%
- HE: Lutron EcoSystem, 1%
- HES: Lutron EcoSystem, soft-on/fade-to-black, 1%
- H2: Lutron Hi-lume 2-wire forward phase, 1%, (120V ONLY)
- E5: Lutron EcoSystem 5-Series, 5%
- EL: eldoLED ECOdrive, 0-10V, 1%

LIGHT OUTPUT (lumens per foot)

- L: low - 640
- R: regular - 830
- H: high - 1090
- CF: consult factory for custom wattage

RUN CONFIGURATION

- SN: single
- ST: starter
- AD: adder
- TR: terminator

MOUNT

- C4: 48" cable length
- C8: 96" cable length
- CF: consult factory for custom mounting

FINISH

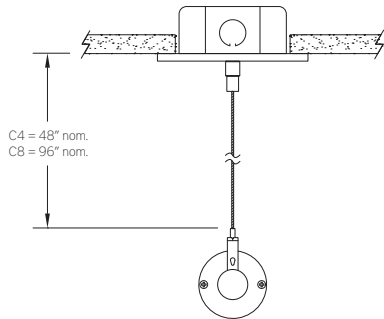
- AW: architectural white (semi-matte)
- WH: white (semi-gloss)
- BL: black (semi-matte)
- MB: matte black
- ESS: environmental satin silver
- BZ: bronze
- PR: primer
- CF: consult factory for custom finish
- SA: satin anodize (may require additional lead time)

Notes: Each fixture includes a remote driver matched for fixture length and light output.
 **Actual dimension dependent on run configuration

MOUNTING

ORDERING CODE

DESCRIPTION



C4 and C8

CABLE MOUNT

Mounting option includes:

- \varnothing 1/16" x 48" (C4) or 96" (C8) aircraft cables
- 60" (C4) or 108" (C8) power cable (in coordinating finish)
- Bracket bars
- \varnothing 5" white canopies
- Ceiling couplers
- Side exit cable grippers