

BSS750 | WEDGE

3" square corner mount LED luminaire

Project: _____ Type: _____



Highlighted fields denote QuickShip Options. See complete 7-Day QuickShip Terms and Conditions available at www.bartcolighting.com/quickship-products/. Purchase order must reference "QuickShip".

FEATURES

The BSS750 is a corner mount, linear LED luminaire well suited for perimeter and stairwell lighting. The 3" x 3" extruded aluminum housing tucks into architectural junctures and is fitted with a two-sided, frosted acrylic lens. When installed, virtually no fixture housing is visible, leaving the evenly illuminated lens to make a strong visual statement.

Fixture with certain options available for 7-Day QuickShip.

SPECIFICATIONS

Fixture constructed of an extruded aluminum housing, frosted, extruded acrylic lens and sheet aluminum end caps

Model variations offered for surface and pendant mount applications

Standard finishes as shown below

Available in nominal lengths of 2'-8' single fixtures and continuous runs

Basic continuous run fixtures provided with 18 ga. wiring harness for 6 Amp maximum load (consult factory for runs requiring multiple circuits, sensor integration, etc.)

One \varnothing 7/8" knock-out provided on both the top and back sides at the left end of the fixture

Standard 120-277V integral driver offered with 0-10V dimming or non-dim (other dimming driver options available)

Integral 120-277V emergency battery backup available for 4' or 8' nominal non-dim or 0-10V (consult factory for all other lengths/drivers)

Standard light outputs are 750, 970 or 1275 lumens per foot

LEDs available in 3000K, 3500K, and 4000K, within a 3 step MacAdam ellipse, all with 80+ CRI typical

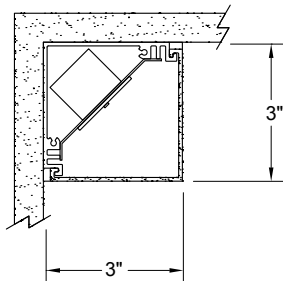
Life: 50,000 hours L_{70}

Limited five year warranty

UL and C-UL listed for dry and damp locations



SECTION



PERFORMANCE

Note: All data reflects fixtures with 3500K LEDs

NOMINAL LENGTH	OUTPUT	LUMENS/ft.	WATTS/ft.	LUMINAIRE LUMENS	EFFICACY (LPW)
4'	L: low	750	5.6	2275	134
	R: regular	970	8.6	3604	113
	H: high	1275	12.7	4736	101

BSS750 -

NOMINAL FIXTURE LENGTH* 2: 22-9/16" 3: 33-5/8" 4: 44-11/16" 5: 55-3/4" 6: 66-13/16" 7: 77-7/8" 8: 88-15/16"	CORRELATED COLOR TEMPERATURE 30: 3000K-80+ CRI 35: 3500K-80+ CRI 40: 4000K-80+ CRI	DRIVER ND: non-dimming [Dimming] D: 0-10V, 1% DTR: triac, 1%, (120V ONLY) DLV: electronic low voltage, 1%, (120V ONLY) HES: Lutron EcoSystem, soft-on/fade-to-black, 1% EL: eldoLED ECOdrive 0-10V, 1% ES: eldoLED SOLOdrive 0-10V, 0.1% ELD: eldoLED ECOdrive DALI, 1% ESD: eldoLED SOLOdrive DALI, 0.1%	LIGHT OUTPUT (lumens per foot) L: low - 750 R: regular - 970 H: high - 1275 CF: consult factory for custom output	MOUNT SM: surface mount PM18: pendant mount 18" stem length PM24: pendant mount 24" stem length PM30: pendant mount 30" stem length CF: consult factory for custom mounting	RUN CONFIGURATION SN: single ST: starter AD: adder TR: terminator	FINISH AW: architectural white (semi-matte) WH: white (semi-gloss) BL: black (semi-matte) MB: matte black ESS: environmental satin silver BZ: bronze PR: primer CF: consult factory for custom finish SA: satin anodize (may require additional lead time)
					OPTIONS ED: emergency driver (4' or 8' non-dim or 0-10V only)	

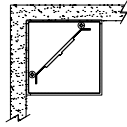
* Actual dimension dependent on mounting option and run configuration.

BSS750 | WEDGE

3" square corner mount LED luminaire

MOUNTING

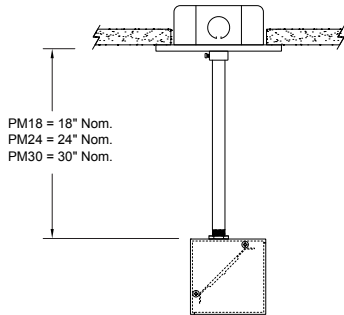
ORDERING CODE DESCRIPTION



SM

SURFACE MOUNT

- Use appropriate fastener through $\varnothing 3/16$ " holes in housing



PM18,
PM24,
PM30

PENDANT MOUNT

Mounting option includes:

- $\varnothing 1/2$ " x 18" (PM18), 24" (PM24) or 30" (PM30) white steel stems
- 18 gauge power leads 12" longer than the stem length (on SN, ST fixtures)
- Bracket bars and hex nuts
- $\varnothing 5$ " white canopies with integrated slip ring

OPTIONS

ORDERING CODE DESCRIPTION SPECIFICATIONS



ED

EMERGENCY LED DRIVER

- Universal 120-277V input voltage emergency driver delivers initial minimum power of 10W for 90 minutes
- Available for 4' or 8' nominal length non-dim or 0-10V fixture only (consult factory for all other lengths/drivers)
- Provided with combination test switch/indicator light for remote mount installation

BSS750 | WEDGE

3" square corner mount LED luminaire

LENGTH / MOUNTING DIMENSIONS

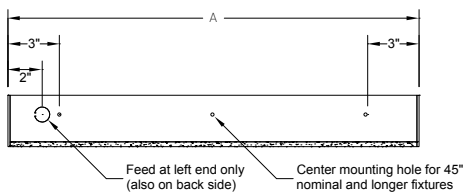
ORDERING CODE	LENGTH A	LENGTH B	LENGTH C	LENGTH D	LENGTH E
2	22-9/16"	22-5/16"	22-1/16"	16-9/16"	19-5/16"
3	33-5/8"	33-7/16"	33-3/16"	27-5/8"	30-7/16"
4	44-11/16"	44-1/2"	44-1/4"	38-11/16"	41-1/2"
5	55-3/4"	55-9/16"	55-5/16"	49-3/4"	52-9/16"
6	66-13/16"	66-5/8"	66-3/8"	60-13/16"	63-5/8"
7	77-7/8"	77-11/16"	77-7/16"	71-7/8"	74-11/16"
8	88-15/16"	88-3/4"	88-1/2"	82-15/16"	85-3/4"

RUN CONFIGURATION INFORMATION

ORDERING CODE	DESCRIPTION
SN	Single
ST	Starter
AD	Adder
TR	Terminator

RUN INFORMATION

Top View - Surface Mount Single Fixture Option

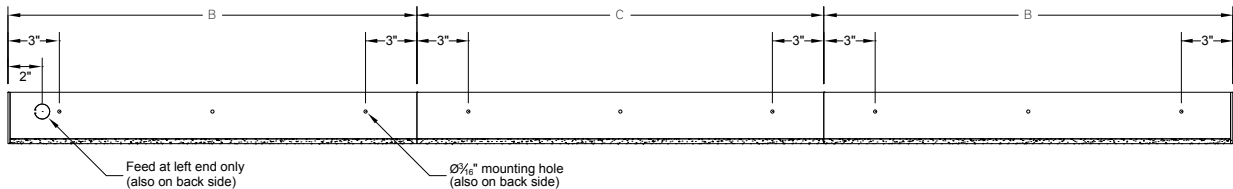


Front View - Surface Mount Single Fixture Option



SN

Top View - Surface Mount Continuous Fixture Option



Front View - Surface Mount Continuous Fixture Option



ST

AD

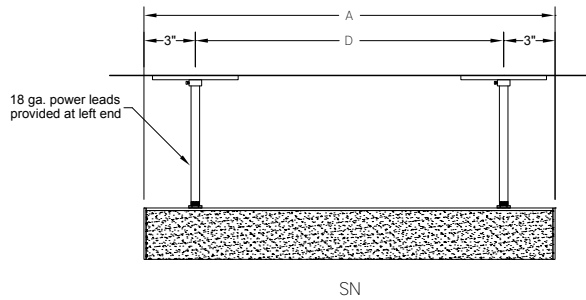
TR

BSS750 | WEDGE

3" square corner mount LED luminaire

RUN INFORMATION

Side View - Pendant Mount Single Fixture Option



Side View - Pendant Mount Continuous Fixture Option

