

BSS710 | mullion

1" tall indirect LED luminaire, remote driver

Project: _____ Type: _____



FEATURES

The BSS710 is a low profile, remote driven, linear LED luminaire suitable for indirect lighting applications on window mullions or over doorways. The 1" tall by 2-3/8" wide extruded aluminum housing is fitted with 90 CRI LEDs capped with a flat, frosted lens. 1/4" thick machined aluminum end caps finish off the fixture ends

SPECIFICATIONS

Fixture constructed of an extruded aluminum housing, extruded, frosted acrylic lens and machined aluminum end caps
Standard finishes as shown below

Fixture housing engages with an extruded aluminum cleat in an indirect orientation and is secured with lock screws

Available in nominal lengths of 2'-8' as single fixtures and continuous runs

Fixtures wired with 10' low voltage leads which exit from the rear at the left or right end

Included standard remote 120-277V driver offered with 0-10V dimming or non-dim (other dimming driver options available)

Remote mounted emergency battery backup available (ordered separately, consult factory for details)

Standard light outputs are 550 or 750 lumens per foot

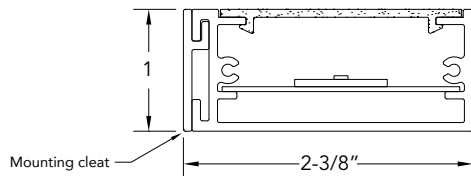
LEDs available in 2700K, 3000K, 3500K and 4000K, within a 3 step MacAdam ellipse, all with 90+ CRI typical

Life: 50,000 hours L₇₀

Limited five year warranty

UL and C-UL listed for dry and damp locations

SECTION



PERFORMANCE

Note: All data reflects fixtures with 3500K LEDs

NOMINAL LENGTH	OUTPUT	LUMENS/ft.	WATTS/ft.	LUMINAIRE LUMENS	EFFICACY (LPW)
4'	L: low	550	5	2044	109
	R: regular	750	8	2835	95



BSS710 -

NOMINAL FIXTURE LENGTH*

23: 23"
34: 34"
45: 45"
56: 56"
67: 67"
78: 78"
89: 89"

CORRELATED COLOR TEMPERATURE

27: 2700K-90+ CRI
30: 3000K-90+ CRI
35: 3500K-90+ CRI
40: 4000K-90+ CRI

DRIVER

ND: non-dimming
[Dimming]
DM: 0-10V, 1%
HES: Lutron EcoSystem, soft-on fade-to-black, 1%
EL: eldoLED ECOdrive 0-10V, 1%
ES: eldoLED SOLOdrive 0-10V, 0.1%
ELD: eldoLED ECOdrive DALI, 1%
ESD: eldoLED SOLOdrive DALI, 0.1%

LIGHT OUTPUT (lumens per foot)

L: low - 550
R: regular - 750
CF: consult factory for custom wattage

FEED LOCATION

L: left end
R: right end

LENS ORIENTATION

1: indirect light

RUN CONFIGURATION

SN: single
ST: starter
AD: adder
TR: terminator

FINISH

AW: architectural white (semi-matte)
WH: white (semi-gloss)
BL: black (semi-matte)
MB: matte black
ESS: environmental satin silver
BZ: bronze
PR: primer
CF: consult factory for custom finish
SA: satin anodize (may require additional lead time)

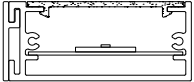
Note: Each fixture includes a remote driver matched for fixture length and light output

* Actual dimension dependent on run configuration

BSS710 | mullion

1" tall indirect LED luminaire, remote driver

LENS ORIENTATION

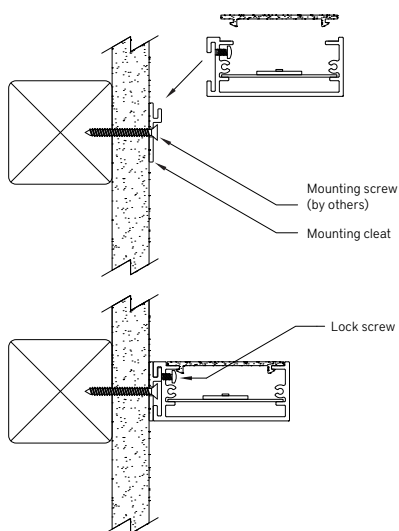
	ORDERING CODE	DESCRIPTION
	1	Indirect lens orientation

FEED LOCATION

ORDERING CODE	DESCRIPTION	SPECIFICATIONS
L	LEFT FEED	10' low voltage leads exit out the rear at the LEFT end, when viewing the fixture from the front
R	RIGHT FEED	10' low voltage leads exit out the rear at the RIGHT end, when viewing the fixture from the front

MOUNTING

DESCRIPTION



Use appropriate fastener through provided holes in the mounting cleat
 Fixture housing locks onto mounting cleat with installed Philips head screws

BSS710 | mullion

1" tall indirect LED luminaire, remote driver

LENGTH/MOUNTING DIMENSIONS

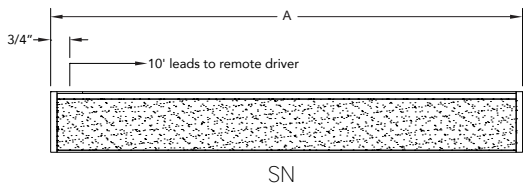
ORDERING CODE	LENGTH A	LENGTH B	LENGTH C
23	23"	22-5/8"	22-1/4"
34	34"	33-5/8"	33-1/4"
45	45"	44-5/8"	44-1/4"
56	56"	55-5/8"	55-1/4"
67	67"	66-5/8"	66-1/4"
78	78"	77-5/8"	77-1/4"
89	89"	88-5/8"	88-1/4"

RUN CONFIGURATION INFORMATION

ORDERING CODE	DESCRIPTION
SN	Single
ST	Starter
AD	Adder
TR	Terminator

RUN INFORMATION

Plan - Single Fixture Option (Up light, left feed orientation shown)



Plan - Continuous Run Option (Up light, left feed orientation shown)

