

# PRELIMINARY

## BSS710 | GENERAL INFORMATION



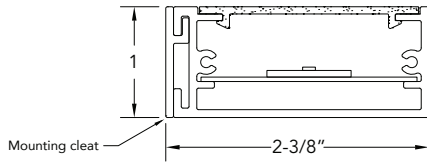
1" tall linear LED up or down light fixture for remote driver operation

Project: \_\_\_\_\_ Type: \_\_\_\_\_

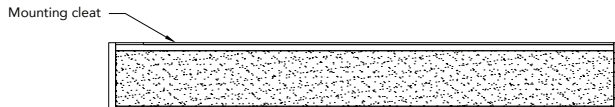


### SECTION

(shown in up light orientation)



### PLAN



### PERFORMANCE

NOMINAL LENGTH	WATTS/ft.	TOTAL WATTS	LUMINAIRE LUMENS	EFFICACY
45"				

\*Note: All data reflects fixtures with 3500K LEDs

### FEATURES

The BSS710 is a low profile, remote driven, linear LED luminaire suitable for up or down light applications on window mullions or over doorways. The 1" tall by 2-3/8" wide extruded aluminum housing is capped with a flat, frosted lens that produces diffuse, seamless illumination. 1/4" thick machined aluminum end caps finish off the fixture ends.

### SPECIFICATIONS

Fixture constructed of an extruded aluminum housing, extruded, frosted acrylic lens and machined aluminum end caps

Standard finishes include satin anodize, or Fluoroscope White (semi-matte), white (semi-gloss), black (semi-matte), matte black, silver, platinum\*, bronze and primer powder coat, applied post production (consult factory for custom finishes)

Fixture housing engages with an extruded aluminum cleat in an up or down light position and is secured with lock screws

Available in nominal lengths of 23"-89" as single fixtures and continuous runs

Fixtures wired with 10' low voltage leads which exit from the rear at the left or right end

Requires a remote driver and enclosure (ordered separately, refer to supplemental driver sheet for general information and consult factory for details and specification model number)

Remote mounted emergency battery backup available (ordered separately, consult factory for details)

Standard outputs are 5W and 8W nominal per foot

LEDs available in 3000K, 3500K, 4000K, 5000K, all with a typical 84-85 CRI and color consistency within a 3 step MacAdam ellipse

Lamp life rated at 50,000 hours

Limited five year warranty

UL and C-UL listed for dry and damp locations

IBEW manufactured and assembled

Made in U.S.A.

### BSS710

NOMINAL FIXTURE LENGTH**	COLOR TEMPERATURE	WATTS/FOOT	FIXTURE ORIENTATION	FEED LOCATION	RUN CONFIGURATION	FINISH
23: 23"	30: 3000K - 84 CRI	5: 5W/ft.	1: up light	L: left end	SN: single	SA: satin anodize
34: 34"	35: 3500K - 85 CRI	8: 8W/ft.	2: down light	R: right end	ST: starter	FW: Fluoroscope white (semi-matte)
45: 45"	40: 4000K - 85 CRI	CF: consult factory for custom wattage			AD: adder	WH: white (semi-gloss)
56: 56"	50: 5000K - 85 CRI				TR: terminator	BL: black (semi-matte)
67: 67"						MB: matte black
78: 78"						SL: silver
89: 89"						PT: platinum*
						BZ: bronze
						PR: primer
						CF: consult factory for custom finish

Note: Remote driver ordered separately, refer to supplemental driver sheet for general information and consult factory for details and specification model number

\*\* Actual dimension dependent on run configuration

\* A standard finish requiring a two step coating process - premium will apply

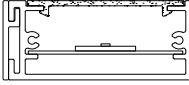

# PRELIMINARY

## BSS710 | GENERAL INFORMATION



### ORIENTATION OPTION

ORDERING CODE DESCRIPTION

	1	Fixture orientation – Up light
	2	Fixture orientation – Down light

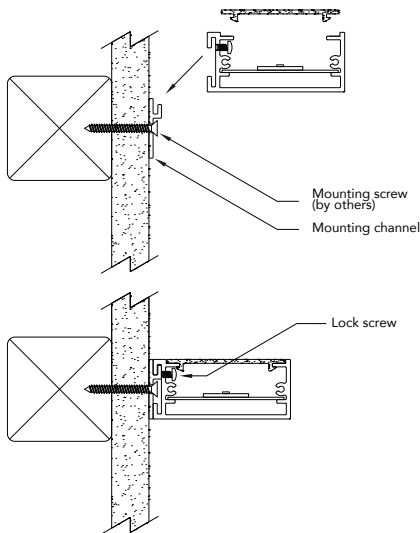
### FEED LOCATION

ORDERING CODE DESCRIPTION SPECIFICATIONS

L	LEFT FEED	10' low voltage leads exit out the rear at the LEFT end, when viewing the fixture from the front
R	RIGHT FEED	10' low voltage leads exit out the rear at the RIGHT end, when viewing the fixture from the front

### MOUNTING

DESCRIPTION



Use appropriate fastener through provided holes in the mounting cleat

Fixture housing locks onto mounting cleat with installed Philips head screws