

# BSS710 | GENERAL INFORMATION



1" tall linear LED direct or indirect light fixture for remote driver operation

Project: \_\_\_\_\_ Type: \_\_\_\_\_



## FEATURES

The BSS710 is a low profile, remote driven, linear LED luminaire suitable for direct or indirect lighting applications on window mullions or over doorways. The 1" tall by 2-3/8" wide extruded aluminum housing is capped with a flat, frosted lens that produces diffuse, seamless illumination from 90 CRI LEDs. 1/4" thick machined aluminum end caps finish off the fixture ends.

## SPECIFICATIONS

Fixture constructed of an extruded aluminum housing, extruded, frosted acrylic lens and machined aluminum end caps

Standard finishes as shown below

Fixture housing engages with an extruded aluminum cleat in a direct or indirect orientation and is secured with lock screws

Available in nominal lengths of 2'-8' as single fixtures and continuous runs

Fixtures wired with 10' low voltage leads which exit from the rear at the left or right end

Requires a remote driver and enclosure (ordered separately, refer to supplemental driver sheet for general information and consult factory for details and specification model number)

Remote mounted emergency battery backup available (ordered separately, consult factory for details)

Standard light outputs are 550 or 750 lumens per foot

LEDs available in 2700K, 3000K, 3500K and 4000K, within a 3 step MacAdam ellipse, all with 90+ CRI typical

LED life rated at 50,000 hours

Five year limited warranty

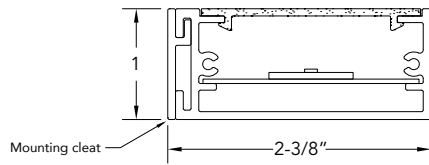
UL and C-UL listed for dry and damp locations

IBEW manufactured and assembled

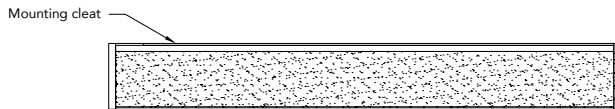
**MADE IN U.S.A.**

## SECTION

(shown in up light orientation)



## PLAN



## PERFORMANCE

NOMINAL LENGTH	OUTPUT	LUMENS/ft.	WATTS/ft.	LUMINAIRE LUMENS	EFFICACY (LPW)
4'	L: low	550	5	2044	109
	R: regular	750	8	2835	95

\*Note: All data reflects fixtures with 3500K LEDs

## BSS710 -

<b>NOMINAL FIXTURE LENGTH**</b> 2: 23" 3: 34" 4: 45" 5: 56" 6: 67" 7: 78" 8: 89"	<b>CORRELATED COLOR TEMPERATURE</b> 27: 2700K-90+ CRI 30: 3000K-90+ CRI 35: 3500K-90+ CRI 40: 4000K-90+ CRI	<b>LIGHT OUTPUT (lumens per foot)</b> L: low - 550 R: regular - 750 CF: consult factory for custom wattage	<b>FIXTURE ORIENTATION</b> 1: indirect light 2: direct light	<b>FEED LOCATION</b> L: left end R: right end	<b>RUN CONFIGURATION</b> SN: single ST: starter AD: adder TR: terminator	<b>FINISH</b> AW: architectural white (semi-matte) WH: white (semi-gloss) BL: black (semi-matte) MB: matte black ESS: environmental satin silver BZ: bronze PR: primer CF: consult factory for custom finish SA: satin anodize (may require additional lead time)
---	---	---	--	---	--	--

Note: Remote driver ordered separately, refer to supplemental driver sheet for general information and consult factory for details and specification model number

\*\* Actual dimension dependent on run configuration

## ORIENTATION OPTION

ORDERING CODE DESCRIPTION

	1	Fixture orientation – Indirect light
	2	Fixture orientation – Direct light

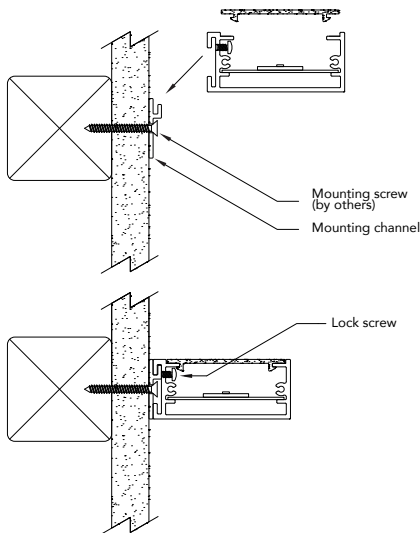
## FEED LOCATION

ORDERING CODE DESCRIPTION SPECIFICATIONS

L	LEFT FEED	10' low voltage leads exit out the rear at the LEFT end, when viewing the fixture from the front
R	RIGHT FEED	10' low voltage leads exit out the rear at the RIGHT end, when viewing the fixture from the front

## MOUNTING

DESCRIPTION



Use appropriate fastener through provided holes in the mounting cleat  
 Fixture housing locks onto mounting cleat with installed Philips head screws