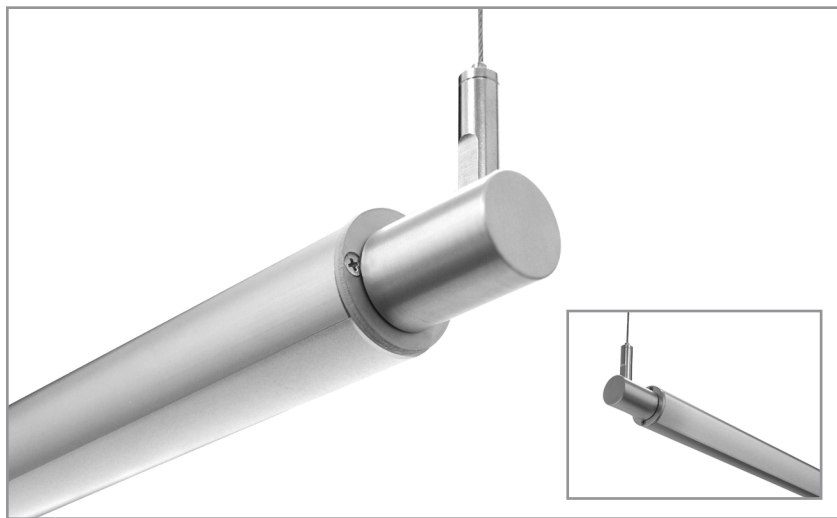


BSS502 | TUBULAR

Ø1-3/8" suspended adjustable LED luminaire, remote driver

Project: _____ Type: _____



FEATURES

Part of the Tubular series of LED luminaires, the BSS502 is a remote driven, cable suspended model for general lighting applications. The Ø1-3/8" extruded aluminum fixture housing is supported on the ends with machined aluminum cable couplers. An adjustment range of 341° enables aperture rotation for direct, indirect and wall wash lighting. The BSS502 is fitted with 90+ CRI LEDs and is available with a Lambertian or asymmetric lens optic.

SPECIFICATIONS

Fixture constructed of an extruded aluminum housing, frosted acrylic extruded lens, sheet aluminum end caps and machined aluminum couplers

Standard finishes as shown below

Available in nominal cable centers of 2'-8' for single fixtures and continuous runs

Fixture housing rotates 341° on end cap mounted, machined aluminum couplers

Included standard remote 120-277V driver offered with 0-10V dimming or non-dim (other dimming driver options available)

Remote mounted emergency battery backup available (ordered separately, consult factory for details)

Extruded acrylic lens options available for Lambertian or asymmetric light distributions

Standard outputs range from 400 to 535 lumens per foot, dependent on optic

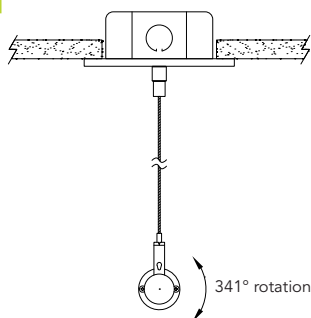
LEDs available in 2700K, 3000K, 3500K, and 4000K, within a 3 step MacAdam ellipse, all with 90+ CRI typical

Life: 50,000 hours L₇₀

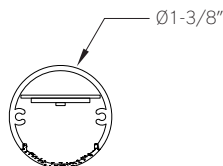
Limited five year warranty

UL and C-UL listed for dry and damp locations

PROFILE



SECTION



PERFORMANCE

Note: All data reflects fixtures with 3500K LEDs

NOMINAL LENGTH	OPTIC OPTION	OUTPUT	LUMENS/ft.	WATTS/ft.	LUMINAIRE LUMENS	EFFICACY (LPW)
4'	Lambertian	L: low	400	3.9	1675	102
		R: regular	520	5.6	2175	92
	Asymmetric	L: low	415	3.9	1735	106
		R: regular	535	5.6	2253	96



BSS502 -

NOMINAL CABLE CENTER DISTANCE*

25: 25-1/4"	62: 61-15/16"
29: 28-15/16"	66: 65-9/16"
33: 32-9/16"	69: 69-1/4"
36: 36-1/4"	73: 72-15/16"
40: 39-15/16"	77: 76-9/16"
44: 43-9/16"	80: 80-1/4"
47: 47-1/4"	84: 83-15/16"
51: 50-15/16"	88: 87-9/16"
55: 54-9/16"	91: 91-1/4"
58: 58-1/4"	95: 94-15/16"

CORRELATED COLOR TEMPERATURE

27: 2700K-90+ CRI
30: 3000K-90+ CRI
35: 3500K-90+ CRI
40: 4000K-90+ CRI

DRIVER

ND: non-dimming
[Dimming]
 DM: 0-10V, 1%
 HES: Lutron EcoSystem, soft-on fade-to-black, 1%
 H2: Lutron Hi-lume 2-wire forward phase, 1%, (120V ONLY)
 EL: eldoLED ECOdrive 0-10V, 1%
 ES: eldoLED SOLOdrive 0-10V, 0.1%
 ELD: eldoLED ECOdrive DALI, 1%
 ESD: eldoLED SOLOdrive DALI, 0.1%

LIGHT OUTPUT (lumens per foot w/optic option L)

L: low – 400
 R: regular – 520
 CF: consult factory for custom output

OPTIC

L: Lambertian distribution
 A: asymmetric distribution

MOUNT

C4: 4' cable length
 C8: 8' cable length
 CF: consult factory for custom mounting

RUN CONFIGURATION

SN: single
 ST: starter
 AD: adder
 TR: terminator

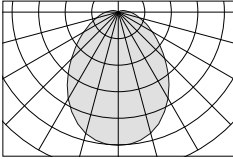
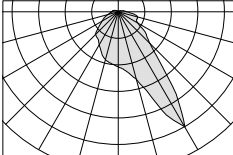
FINISH

AW: architectural white (semi-matte)
 WH: white (semi-gloss)
 BL: black (semi-matte)
 MB: matte black
 ESS: environmental satin silver
 BZ: bronze
 PR: primer
 CF: consult factory for custom finish
 SA: satin anodize (may require additional lead time)

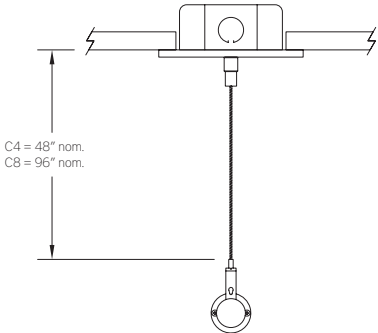
Note: Each fixture includes a remote driver matched for fixture length and light output.

* Actual dimension dependent on run configuration

OPTIC OPTION

	ORDERING CODE	DESCRIPTION
	L	Lambertian light distribution
	A	Asymmetric light distribution

MOUNTING

	ORDERING CODE	DESCRIPTION
 <p>C4 = 48" nom. C8 = 96" nom.</p>	C4 and C8	<p>CABLE MOUNT</p> <p>Mounting option includes:</p> <ul style="list-style-type: none"> • Ø 1/16" x 48" (C4) or 96" (C8) aircraft cables • 60" (C4) or 108" (C8) power cable (in coordinating finish) • Bracket bars • Ø 5" white canopies • Ceiling couplers • Side exit cable grippers

CABLE CENTER DIMENSIONS

ORDERING CODE	LENGTH A	LENGTH B
25	25-1/4"	24-3/4"
29	28-15/16"	28-7/16"
33	32-9/16"	32-1/16"
36	36-1/4"	35-3/4"
40	39-15/16"	39-7/16"
44	43-9/16"	43-1/16"
47	47-1/4"	46-3/4"
51	50-15/16"	50-7/16"
55	54-9/16"	54-1/16"
58	58-1/4"	57-3/4"

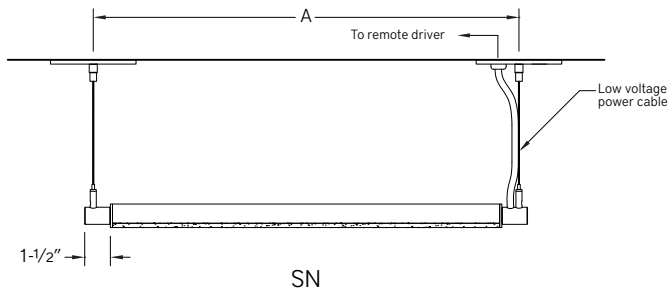
ORDERING CODE	LENGTH A	LENGTH B
62	61-15/16"	61-7/16"
66	65-9/16"	65-1/16"
69	69-1/4"	68-3/4"
73	72-15/16"	72-7/16"
77	76-9/16"	76-1/16"
80	80-1/4"	79-3/4"
84	83-15/16"	83-7/16"
88	87-9/16"	87-1/16"
91	91-1/4"	90-3/4"
95	94-15/16"	94-7/16"

RUN CONFIGURATION INFORMATION

ORDERING CODE	DESCRIPTION
SN	Single
ST	Starter
AD	Adder
TR	Terminator

RUN INFORMATION

Side View - Single Fixture Option



Side View - Continuous Option

