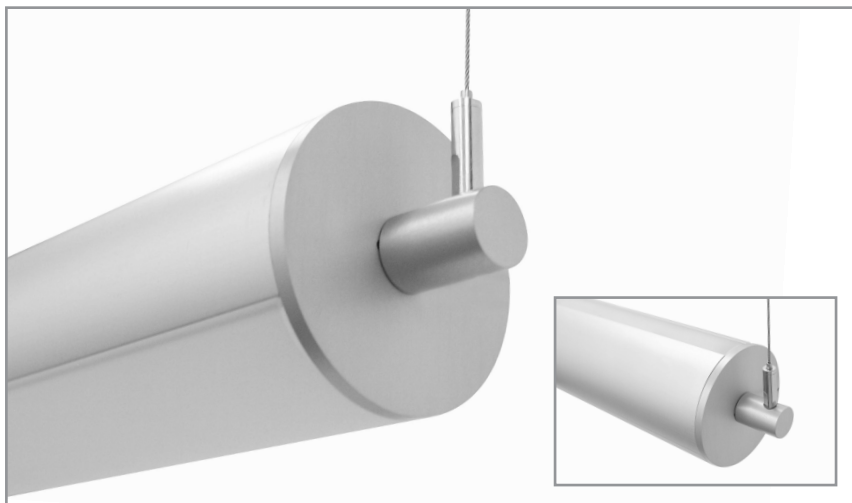


BSS532 | TUBULAR

Ø4" suspended adjustable direct/indirect LED luminaire

Project: _____ Type: _____



FEATURES

Part of the Tubular series of LED luminaires, the BSS532 is a suspended direct/indirect fixture for general lighting applications. The two apertures in the Ø4" extruded aluminum housing, are fitted with frosted acrylic lenses. The housing can rotate on its machined aluminum cable couplers, providing the ability to aim light in directions other than vertical.

SPECIFICATIONS

Fixture constructed of an extruded aluminum housing, frosted acrylic extruded lenses, machined aluminum end caps and cable couplers

Cable couplers allow housing rotation of 341°

Standard finishes as shown below

Available in nominal cable centers of 2'-8' for single fixtures and continuous runs

Standard integral 120-277V driver offered with 0-10V dimming or non-dim (other dimming driver options available)

Remote mounted emergency battery backup available (ordered separately, consult factory for details)

Standard outputs are 585 or 745 lumens per foot indirect and 600 or 780 lumens per foot direct

Available with dual circuiting of indirect and direct light elements and independent Wattage/foot options

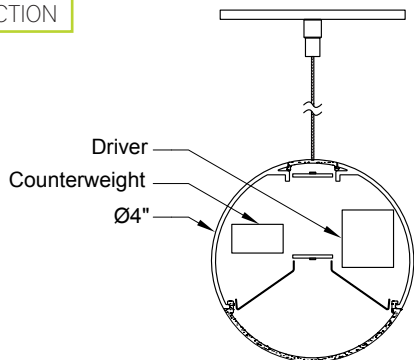
LEDs available in 2700K, 3000K, 3500K and 4000K, within a 3 step MacAdam ellipse, all with 90+ CRI typical

Life: 50,000 hours L₇₀

Limited five year warranty

UL and C-UL listed for dry and damp locations

SECTION



PERFORMANCE

*Note: All data reflects fixtures with 3500K LEDs

NOMINAL LENGTH	OPTIC CONFIGURATION	OUTPUT	LUMENS/ft.	WATTS/ft.	LUMINAIRE LUMENS	EFFICACY (LPW)
4'	Indirect	L: low	585	5.5	2158	104
		R: regular	745	7.6	2802	97
	Direct	L: low	600	5.6	2269	108
		R: regular	780	7.7	2947	102



BSS532 -

NOMINAL CABLE CENTER DISTANCE*

- 2: 25-5/8"
- 3: 36-5/8"
- 4: 47-5/8"
- 5: 58-5/8"
- 6: 69-5/8"
- 7: 80-5/8"
- 8: 91-5/8"

CORRELATED COLOR TEMPERATURE

- 27: 2700K - 90+ CRI
- 30: 3000K - 90+ CRI
- 35: 3500K - 90+ CRI
- 40: 4000K - 90+ CRI

CIRCUIT

- 1: SINGLE CIRCUIT
- 2: TWO CIRCUIT

INDIRECT LIGHT OUTPUT (lumens /ft.)

- L: low - 585
- R: regular - 745
- CF: consult factory for custom output

DIRECT LIGHT OUTPUT (lumens /ft.)

- L: low - 600
- R: regular - 780
- CF: consult factory for custom output

MOUNT

- C4: cable mount 48" cable length
- C8: cable mount 96" cable length
- CF: consult factory for custom mounting

FINISH

- AW: architectural white (semi-matte)
- WH: white (semi-gloss)
- BL: black (semi-matte)
- MB: matte black
- ESS: environmental satin silver
- BZ: bronze
- PR: primer
- CF: consult factory for custom finish
- SA: satin anodize (may require additional lead time)

DRIVER

- ND: non-dimming
- [Dimming]
- D: 0-10V, 1%
- HES: Lutron EcoSystem, soft-on/fade-to-black, 1%
- H2: Lutron Hi-lume 2-wire forward phase, 1%, (120V ONLY)
- E5: Lutron EcoSystem 5-Series, 5%
- EL: eldoLED ECOdrive 0-10V, 1%

RUN CONFIGURATION

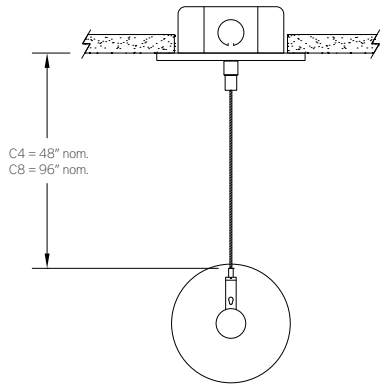
- SN: single
- ST: starter
- AD: adder
- TR: terminator

*Actual dimension dependent on run configuration

MOUNTING

ORDERING CODE

DESCRIPTION



C4 and C8

CABLE MOUNT

Mounting option includes:

- Ø 1/16" x 48" (C4) or 96" (C8) aircraft cables
- 60" (C4) or 108" (C8) power cable in coordinating finish
- Bracket bars
- Ø 5" white canopies
- Ceiling couplers
- Side exit cable grippers

CABLE CENTER DIMENSIONS

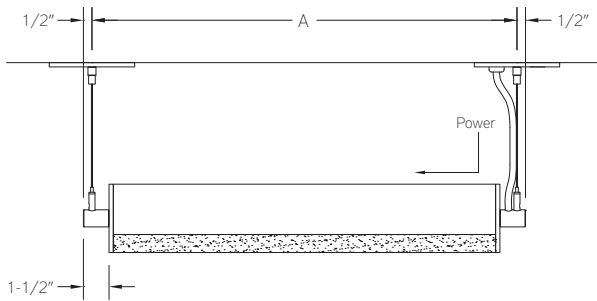
ORDERING CODE	LENGTH A	LENGTH B
2	25-5/8"	25-1/8"
3	36-5/8"	36-1/8"
4	47-5/8"	47-1/8"
5	58-5/8"	58-1/8"
6	69-5/8"	69-1/8"
7	80-5/8"	80-1/8"
8	91-5/8"	91-1/8"

RUN CONFIGURATION INFORMATION

ORDERING CODE	DESCRIPTION
SN	Single
ST	Starter
AD	Adder
TR	Terminator

RUN INFORMATION

Side View - Single Fixture Option



Side View - Continuous Option

