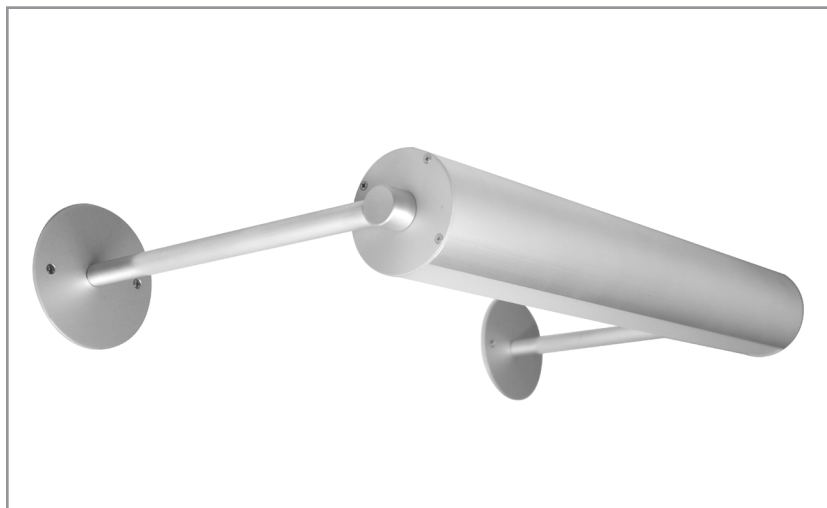


Project: _____ Type: _____



FEATURES

Part of the Tubular family of LED luminaires, the BSS521 is an arm mounted model ideally suited for wall wash and general illumination. Aluminum arms project the Ø3-1/2" extruded aluminum housing from a wall or ceiling. A frosted acrylic lens diffuses the light from high quality diodes, while a generous range of rotation allows for flexible aiming.

SPECIFICATIONS

Fixture constructed of an extruded aluminum housing, frosted acrylic extruded lens and sheet aluminum end caps

Fixture arms are constructed of steel pipe, Ø3/4" extruded aluminum sleeves and machined aluminum end cap couplers.

Includes Ø4-3/4" x 1/8" thick aluminum plates and screws for mounting to 4" octagonal wall boxes (by others)

Standard finishes as shown below

Available in nominal lengths of 24"-68" single fixtures and continuous runs

Arms allow fixture to project from a wall or ceiling nominally 4", 6", 12" or 18"

Fixture housing rotates 338° and is locked in place with hex fastener

Standard integral 120-277V driver offered with 0-10V dimming or non-dim (other dimming driver options available)

Remote mounted emergency battery backup available (ordered separately, consult factory for details)

Standard outputs are 5W or 8W nominal per foot

LEDs available in 3000K, 3500K, 4000K, 5000K, all with a typical 84-85 CRI and color consistency within a 3 step MacAdam ellipse

Life: 50,000 hours L₇₀

Limited five year warranty

UL and C-UL listed for dry and damp locations



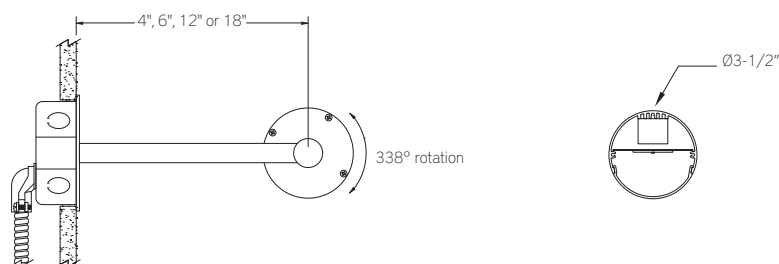
PERFORMANCE

Note: All data reflects fixtures with 3500K LEDs

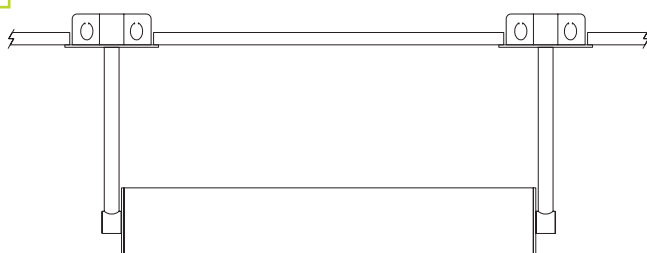
NOMINAL LENGTH	WATTS/ft.	TOTAL WATTS	LUMINAIRE LUMENS	EFFICACY
45"	8.5	31.8	3544	111

PROFILE

SECTION



PLAN



BSS521 -

ARM CENTER DISTANCE

24: 24-1/8"
35: 35-1/8"
46: 46-1/8"
57: 57-1/8"
68: 68-1/8"

COLOR TEMPERATURE

30: 3000K-84 CRI
35: 3500K-85 CRI
40: 4000K-85 CRI
50: 5000K-85 CRI

DRIVER

ND: non-dimming
[Dimming]
DM: 0-10V, 1%
HES: Lutron EcoSystem, soft-on fade-to-black, 1%
H2: Lutron Hi-lume 2-wire forward phase, 1%, (120V ONLY)
EL: eldoLED ECOdrive 0-10V, 1%
ES: eldoLED SOLOdrive 0-10V, 0.1%
ELD: eldoLED ECOdrive DALI, 1%
ESD: eldoLED SOLOdrive DALI, 0.1%

WATTS/FOOT

5: 5 W/ft.
8: 8.5 W/ft.
CF: consult factory for custom wattage

NOMINAL ARM LENGTH

4: 4"
6: 6"
12: 12"
18: 18"
CF: consult factory for custom arm length

RUN CONFIGURATION

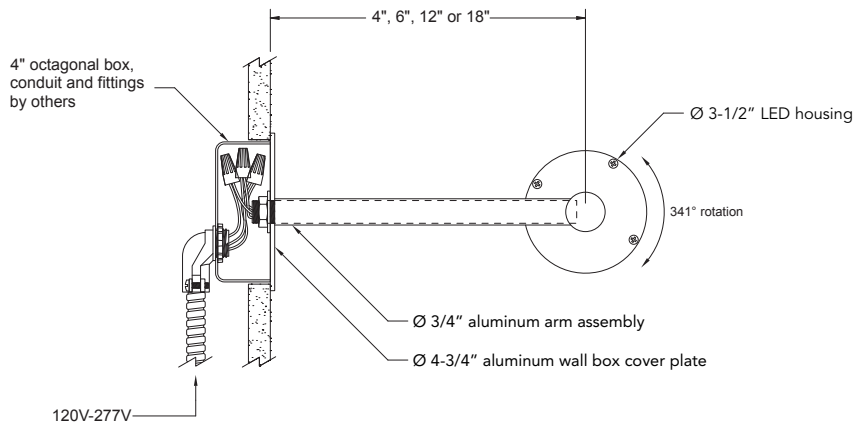
SN: single
ST: starter
AD: adder
TR: terminator

FINISH

AW: architectural white (semi-matte)
WH: white (semi-gloss)
BL: black (semi-matte)
MB: matte black
ESS: environmental satin silver
BZ: bronze
PR: primer
CF: consult factory for custom finish
SA: satin anodize (may require additional lead time)

MOUNTING

DESCRIPTION



- Ø 3-1/2" LED housing with frosted lens
- Aluminum end cap/arm couplers
- Threaded arm tube
- Aluminum arm sleeve
- Ø 4-3/4" wall box mounting plate
- Flat head Phillips mounting plate screw

ARM CENTER DISTANCE

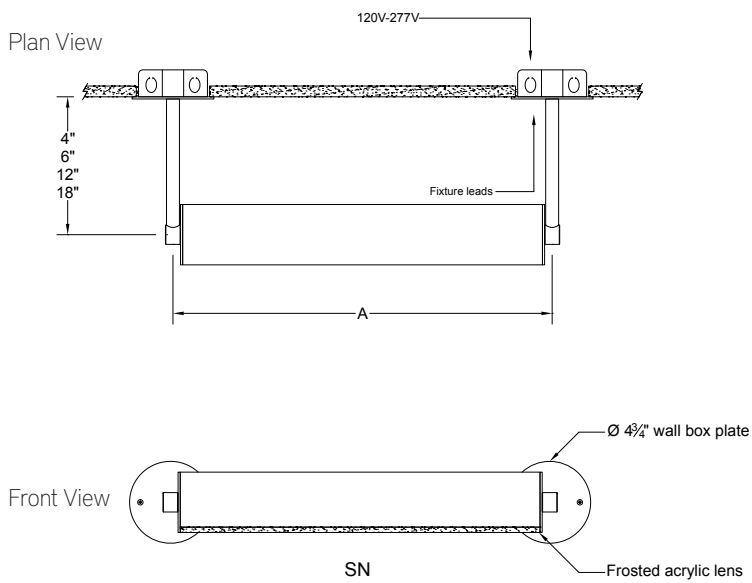
ORDERING CODE	LENGTH A
24	24-1/8"
35	35-1/8"
46	46-1/8"
57	57-1/8"
68	68-1/8"

RUN CONFIGURATION INFORMATION

ORDERING CODE	DESCRIPTION
SN	Single
ST	Starter
AD	Adder
TR	Terminator

RUN INFORMATION

Single Fixture



Continuous Run

