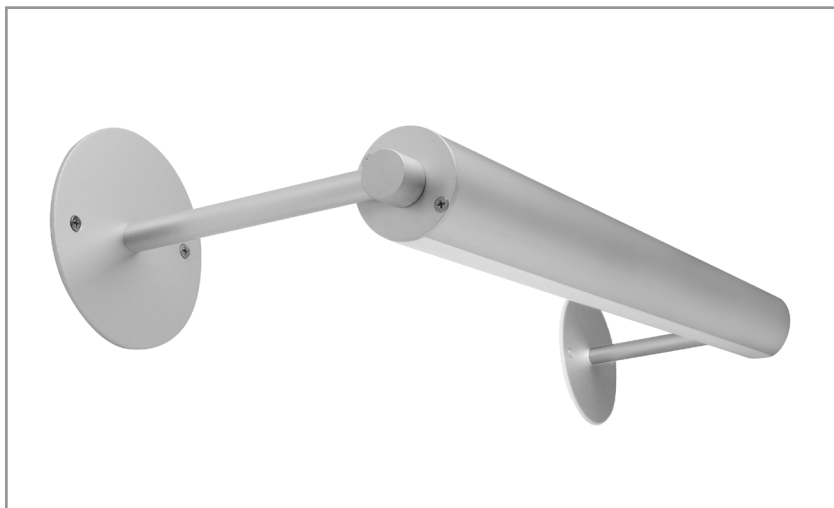


BSS511 | TUBULAR

Ø2-1/4" arm mount LED luminaire, remote driver

Project: _____ Type: _____



FEATURES

Part of the Tubular series of LED luminaires, the BSS511 is an arm mounted model ideally suited for wall wash and stack lighting. Slender aluminum arms project the Ø2-1/4" extruded aluminum housing from a wall or ceiling. A frosted acrylic lens diffuses the light from high quality diodes, while a generous range of rotation allows for flexible aiming.

SPECIFICATIONS

Fixture housing constructed of an extruded aluminum tube, frosted acrylic extruded lens and sheet aluminum end caps

Fixture arms are constructed of steel pipe, Ø5/8" extruded aluminum sleeves and machined aluminum end cap couplers.

Mounting plate options include a Ø4-3/4" aluminum plate for mounting to 4" octagonal wall boxes or Ø1-3/8" aluminum plate for mounting to accessible panels.

Standard finishes as shown below

Single and continuous run fixtures available with arm center distances of 24"-68" nominal

Arms allow fixture to project from a wall or ceiling nominally 4", 6", 12" or 18"

Fixture housing rotates 332° and is locked in place with hex fastener

Included standard remote 120-277V driver offered with 0-10V dimming or non-dim (other dimming driver options available)

Remote mounted emergency battery backup available (ordered separately, consult factory for details)

Fixture wired with 10', low voltage leads (measured from the end cap)

Standard outputs are 640, 830 and 1090 lumens per foot.

LEDs available in in 2700K, 3000K, 3500K, and 4000K, within a 3 step MacAdam ellipse, all with 90+ CRI typical

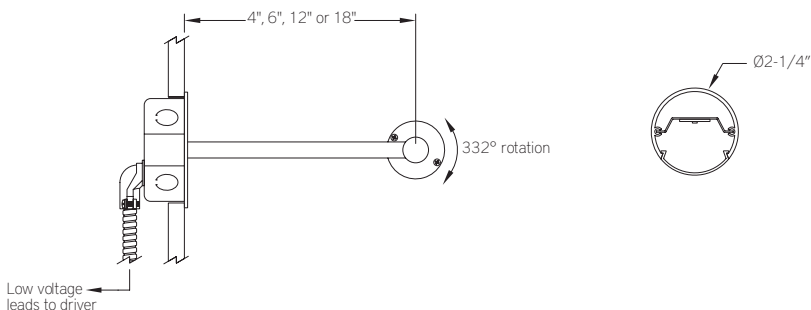
Life: 50,000 hours L₇₀

Limited five year warranty

UL and C-UL listed for dry and damp locations

PROFILE

SECTION



PERFORMANCE

Note: All data reflects fixtures with 3500K LEDs

NOMINAL LENGTH	OUTPUT	LUMENS/ft.	WATTS/ft.	LUMINAIRE LUMENS	EFFICACY (LPW)
4'	L: low	640	4.6	2366	138
	R: regular	830	7.6	3073	110
	H: high	1090	10.5	4038	104



BSS511 -

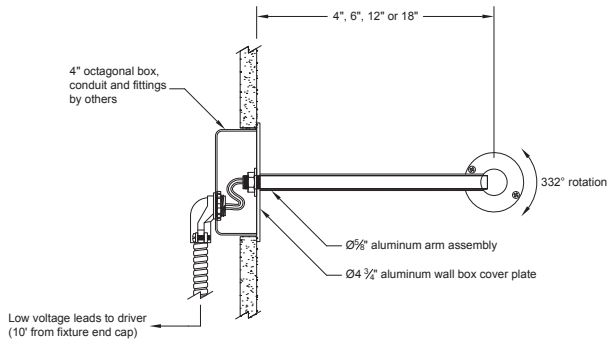
ARM CENTER DISTANCE 2: 24" 3: 35" 4: 46" 5: 57" 6: 68"	CORRELATED COLOR TEMPERATURE 27: 2700K-90+ CRI 30: 3000K-90+ CRI 35: 3500K-90+ CRI 40: 4000K-90+ CRI	DRIVER ND: non-dimming [Dimming] D: 0-10V, 1% HES: Lutron EcoSystem, soft-on/fade-to-black, 1% H2: Lutron Hi-lume 2-wire forward phase, 1%, (120V ONLY) EL: eIdoLED ECOdrive, 0-10V, 1%	LIGHT OUTPUT (lumens per foot) L: low - 640 R: regular - 830 H: high - 1090 CF: consult factory for custom output	NOMINAL ARM LENGTH 4: 4" 6: 6" 12: 12" 18: 18" CF: consult factory for custom arm length	RUN CONFIGURATION SN: single ST: starter AD: adder TR: terminator	FINISH AW: architectural white (semi-matte) WH: white (semi-gloss) BL: black (semi-matte) MB: matte black ESS: environmental satin silver BZ: bronze PR: primer CF: consult factory for custom finish SA: satin anodize (may require additional lead time)
MOUNTING PLATE OPTION WBR: wall box plate TP: trim plate						

Note: Each fixture includes a remote driver matched for fixture length and light output.

MOUNTING

ORDERING CODE

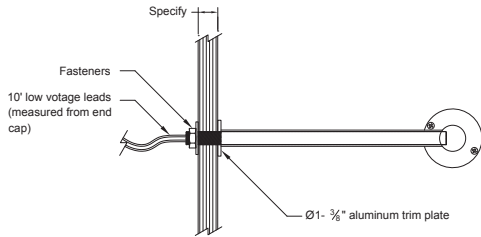
DESCRIPTION



WBR

WALL BOX MOUNTING PLATE

- Ø4-3/4" x 1/8" sheet aluminum plate in matching finish for mounting to 4" octagonal junction box (by others)
- Includes flat head Phillips machine screws



TP

TRIM PLATE

- 1-3/8" x 1/8" sheet aluminum plate in matching finish for mounting to a panel with access to the back side
- Includes 10' low voltage leads (measured from end cap), flat washer and hex nut
- Accommodates panel thickness up to 3/4" – (consult factory for special mounting conditions)

BSS511 | TUBULAR

Ø2-1/4" arm mount LED luminaire, remote driver

ARM CENTER DISTANCE

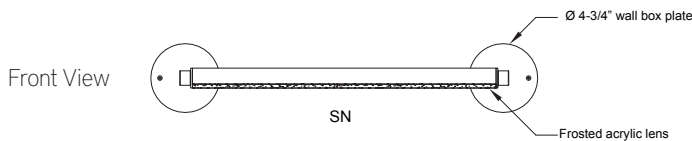
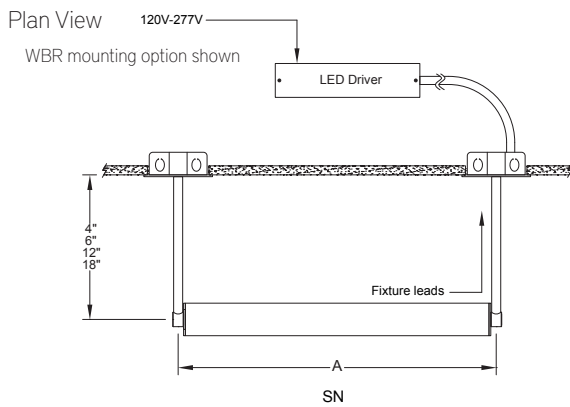
ORDERING CODE	LENGTH A
2	24"
3	35"
4	46"
5	57"
6	68"

RUN CONFIGURATION INFORMATION

ORDERING CODE	DESCRIPTION
SN	Single
ST	Starter
AD	Adder
TR	Terminator

RUN INFORMATION

Single Fixtures



Continuous Runs

