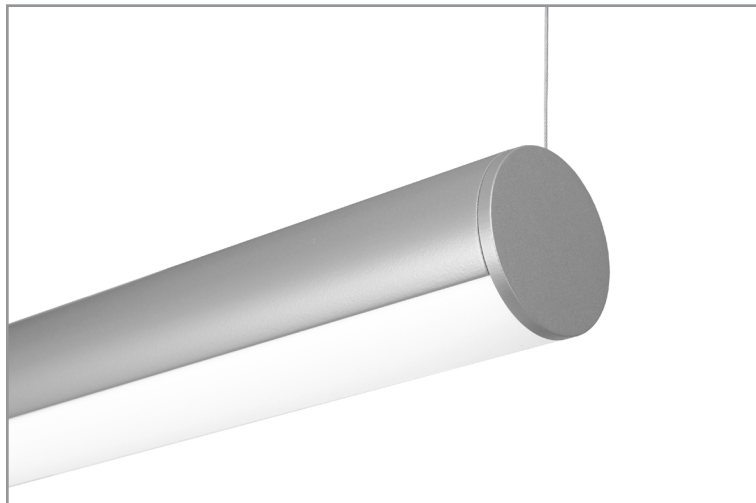


# BSS510 | TUBULAR

Ø2-1/4" suspended LED luminaire, remote driver

Project: \_\_\_\_\_ Type: \_\_\_\_\_



## FEATURES

The BSS510 is a suspended, linear LED down light with remote driver for general lighting applications. The Ø2-1/4" extruded aluminum housing is fitted with tightly spaced diodes and a frosted acrylic lens to produce seamless, diffuse illumination. Machined aluminum end caps finish off the fixture ends.

## SPECIFICATIONS

Fixture constructed of an extruded aluminum housing, frosted acrylic extruded lens and machined aluminum end caps

Standard finishes as shown below

Available in nominal lengths of 2'-8' single fixtures and continuous runs

Included standard remote 120-277V driver offered with 0-10V dimming or non-dim (other dimming driver options available)

Remote mounted emergency battery backup available (ordered separately, consult factory for details)

Standard outputs are 640, 830 and 1090 lumens per foot

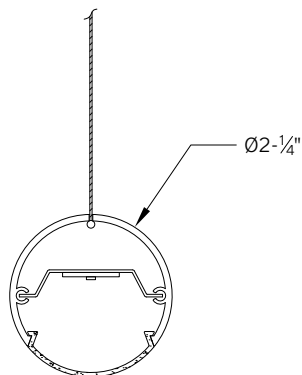
LEDs available in 2700K, 3000K, 3500K, and 4000K, within a 3 step MacAdam ellipse, all with 90+ CRI typical

Life: 50,000 hours L<sub>70</sub>

Limited five year warranty

UL and C-UL listed for dry and damp locations

## SECTION



## PERFORMANCE

\*Note: All data reflects fixtures with 3500K LEDs

| NOMINAL LENGTH | OUTPUT     | LUMENS/ft. | WATTS/ft. | LUMINAIRE LUMENS | EFFICACY (LPW) |
|----------------|------------|------------|-----------|------------------|----------------|
| 4'             | L: low     | 640        | 4.6       | 2366             | 138            |
|                | R: regular | 830        | 7.6       | 3073             | 110            |
|                | H: high    | 1090       | 10.5      | 4038             | 104            |



## BSS510 -

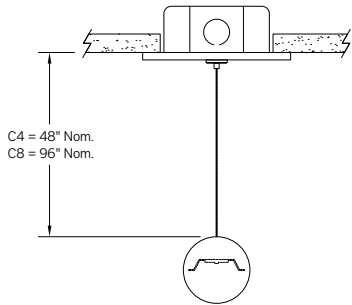
| NOMINAL FIXTURE LENGTH* | CORRELATED COLOR TEMPERATURE | DRIVER   | LIGHT OUTPUT (lumens per foot)        | MOUNT                                   | RUN CONFIGURATION | FINISH   |
|-------------------------|------------------------------|--|---------------------------------------|---|-------------------|--|
| 2: 22-5/8"              | 27: 2700K-90+ CRI            | ND: non-dimming  | L: low – 640                          | C4: cable mount<br>4' cable length      | SN: single        | AW: architectural white (semi-matte)                 |
| 3: 33-5/8"              | 30: 3000K-90+ CRI            | <b>[Dimming]</b>   | R: regular – 830                      | C8: cable mount<br>8' cable length      | ST: starter       | WH: white (semi-gloss)                               |
| 4: 44-5/8"              | 35: 3500K-90+ CRI            | D: 0-10V, 1%   | H: high – 1090                        | CF: consult factory for custom mounting | AD: adder         | BL: black (semi-matte)                               |
| 5: 55-5/8"              | 40: 4000K-90+ CRI            | HES: Lutron EcoSystem, soft-on/fade-to-black, 1%         | CF: consult factory for custom output |   | TR: terminator    | MB: matte black                                      |
| 6: 66-5/8"              |                              | H2: Lutron Hi-lume 2-wire forward phase, 1%, (120V ONLY) |                                       |   |                   | ESS: environmental satin silver                      |
| 7: 77-5/8"              |                              | EL: eldoLED ECOdrive, 0-10V, 1%                          |                                       |   |                   | BZ: bronze   |
| 8: 88-5/8"              |                              |  |                                       |   |                   | PR: primer   |
|                         |                              |  |                                       |   |                   | CF: consult factory for custom finish                |
|                         |                              |  |                                       |   |                   | SA: satin anodize (may require additional lead time) |

Note: Each fixture includes a remote driver matched for fixture length and light output  
\* Actual dimension dependent on run configuration

MOUNTING

ORDERING CODE

DESCRIPTION



C4 and C8

CABLE MOUNT

Mounting option includes:

- Ø 1/32" x 48" (C4) or 96" (C8) aircraft cables
- 60" (C4) or 108" (C8) low voltage cable in coordinating finish
- Bracket bars
- Ø 5" white canopies
- Canopy mount cable grippers

## LENGTH/MOUNTING DIMENSIONS

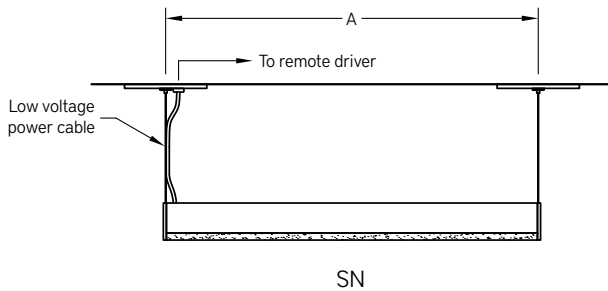
| ORDERING CODE | LENGTH A | LENGTH B | LENGTH C |
|---------------|----------|----------|----------|
| 2             | 22-5/8"  | 22-5/16" | 22-1/4"  |
| 3             | 33-5/8"  | 33-5/16" | 33-1/4"  |
| 4             | 44-5/8"  | 44-5/16" | 44-1/4"  |
| 5             | 55-5/8"  | 55-5/16" | 55-1/4"  |
| 6             | 66-5/8"  | 66-5/16" | 66-1/4"  |
| 7             | 77-5/8"  | 77-5/16" | 77-1/4"  |
| 8             | 88-5/8"  | 88-5/16" | 88-1/4"  |

## RUN CONFIGURATION INFORMATION

| ORDERING CODE | DESCRIPTION |
|---------------|-------------|
| SN            | Single      |
| ST            | Starter     |
| AD            | Adder       |
| TR            | Terminator  |

## RUN INFORMATION

Side View - Single Fixture Option



Side View - Continuous Option

