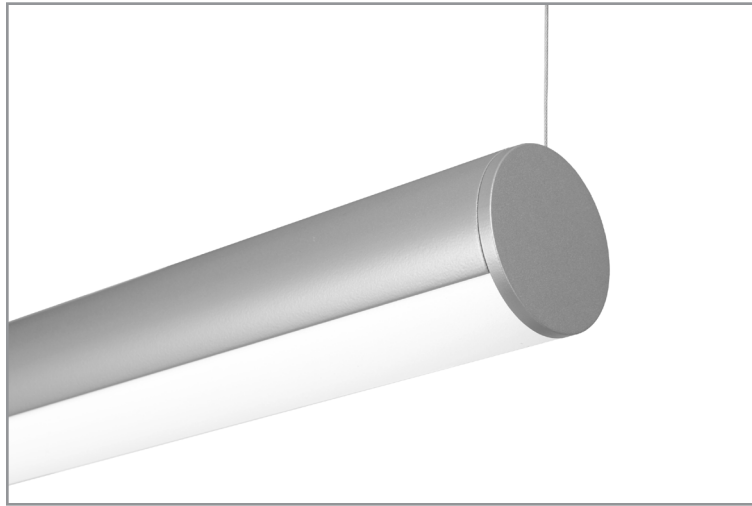


# BSS510 | TUBULAR

Ø2-1/4" suspended LED luminaire, remote driver

Project: \_\_\_\_\_ Type: \_\_\_\_\_



## FEATURES

The BSS510 is a suspended, linear LED down light with remote driver for general lighting applications. The Ø2-1/4" extruded aluminum housing is fitted with tightly spaced diodes and a frosted acrylic lens to produce seamless, diffuse illumination. Machined aluminum end caps finish off the fixture ends.

## SPECIFICATIONS

Fixture constructed of an extruded aluminum housing, frosted acrylic extruded lens and machined aluminum end caps

Standard finishes as shown below

Available in nominal lengths of 2'-8' single fixtures and continuous runs

Included standard remote 120-277V driver offered with 0-10V dimming or non-dim (other dimming driver options available)

Remote mounted emergency battery backup available (ordered separately, consult factory for details)

Standard outputs are 640, 830 and 1090 lumens per foot

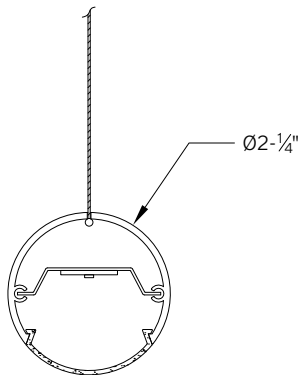
LEDs available in 2700K, 3000K, 3500K, and 4000K, within a 3 step MacAdam ellipse, all with 90+ CRI typical

Life: 50,000 hours L<sub>70</sub>

Limited five year warranty

UL and C-UL listed for dry and damp locations

## SECTION



## PERFORMANCE

\*Note: All data reflects fixtures with 3500K LEDs

NOMINAL LENGTH	OUTPUT	LUMENS/ft.	WATTS/ft.	LUMINAIRE LUMENS	EFFICACY (LPW)
4'	L: low	640	4.6	2366	138
	R: regular	830	7.6	3073	110
	H: high	1090	10.5	4038	104



## BSS510 -

NOMINAL FIXTURE LENGTH*	CORRELATED COLOR TEMPERATURE	DRIVER	LIGHT OUTPUT (lumens per foot)	MOUNT	RUN CONFIGURATION	FINISH
2: 22-5/8"	27: 2700K-90+ CRI	ND: non-dimming	L: low – 640	C4: cable mount 4' cable length	SN: single	AW: architectural white (semi-matte)
3: 33-5/8"	30: 3000K-90+ CRI	DM: 0-10V, 1%	R: regular – 830	C8: cable mount 8' cable length	ST: starter	WH: white (semi-gloss)
4: 44-5/8"	35: 3500K-90+ CRI	HES: Lutron EcoSystem, soft-on fade-to-black, 1%	H: high – 1090	CF: consult factory for custom mounting	AD: adder	BL: black (semi-matte)
5: 55-5/8"	40: 4000K-90+ CRI	H2: Lutron Hi-lume 2-wire forward phase, 1%, (120V ONLY)	CF: consult factory for custom output		TR: terminator	MB: matte black
6: 66-5/8"		EL: eldoLED ECOdrive 0-10V, 1%				ESS: environmental satin silver
7: 77-5/8"		ES: eldoLED SOLOdrive 0-10V, 0.1%				BZ: bronze
8: 88-5/8"		ELD: eldoLED ECOdrive DALI, 1%				PR: primer
		ESD: eldoLED SOLOdrive DALI, 0.1%				CF: consult factory for custom finish
						SA: satin anodize (may require additional lead time)

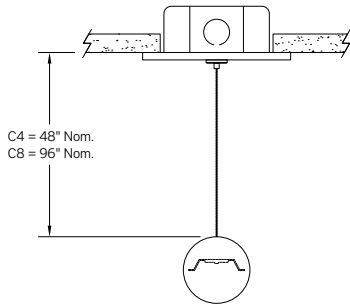
Note: Each fixture includes a remote driver matched for fixture length and light output

\* Actual dimension dependent on run configuration

## MOUNTING

### ORDERING CODE

### DESCRIPTION



C4 and C8

### CABLE MOUNT

Mounting option includes:

- Ø 1/32" x 48" (C4) or 96" (C8) aircraft cables
- 60" (C4) or 108" (C8) low voltage cable in coordinating finish
- Bracket bars
- Ø 5" white canopies
- Canopy mount cable grippers

