

BSS510 | TUBULAR™ GENERAL INFORMATION



2-1/4" O.D. cylindrical LED luminaire for remote driver operation

Project: _____ Type: _____



FEATURES

The BSS510 is a suspended, linear LED down light with remote driver for general lighting applications. The Ø2-1/4" extruded aluminum housing is fitted with tightly spaced diodes and a frosted acrylic lens to produce seamless, diffuse illumination. Machined aluminum end caps finish off the fixture ends.

SPECIFICATIONS

Fixture constructed of an extruded aluminum housing, frosted acrylic extruded lens and machined aluminum end caps

Standard finishes as shown below

Available in nominal lengths of 2'-8' single fixtures and continuous runs

Included standard remote 120-277V driver offered with 0-10V dimming or non-dim (other dimming driver options available)

Remote mounted emergency battery backup available (ordered separately, consult factory for details)

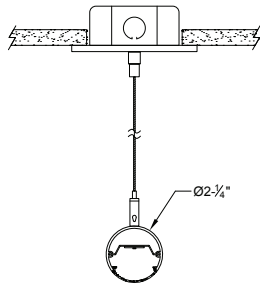
Standard outputs are 640, 830 and 1090 lumens per foot

LEDs available in 2700K, 3000K, 3500K, and 4000K, within a 3 step MacAdam ellipse, all with 90+ CRI typical

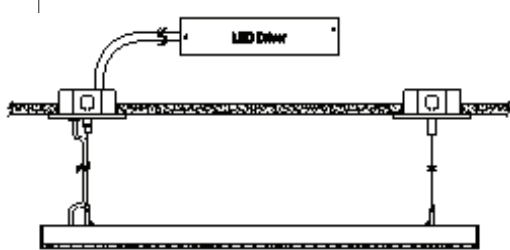
Life: 50,000 hours L₇₀

Limited five year warranty

SECTION



SIDE



PERFORMANCE

*Note: All data reflects fixtures with 3500K LEDs

| NOMINAL LENGTH | OUTPUT | LUMENS/ft. | WATTS/ft. | LUMINAIRE LUMENS | EFFICACY (LPW) |
|----------------|------------|------------|-----------|------------------|----------------|
| 4' | L: low | 640 | 4.6 | 2366 | 138 |
| | R: regular | 830 | 7.6 | 3073 | 110 |
| | H: high | 1090 | 10.5 | 4038 | 104 |

BSS510 -

| | | | | | | |
|---|---|--|--|---|--|---|
| <p>**NOMINAL FIXTURE LENGTH</p> <ul style="list-style-type: none"> 2: 22-1/2" 3: 33-1/2" 4: 44-1/2" 5: 55-1/2" 6: 66-1/2" 7: 77-1/2" 8: 88-1/2" | <p>CORRELATED COLOR TEMPERATURE</p> <ul style="list-style-type: none"> 27: 2700K-90+ CRI 30: 3000K-90+ CRI 35: 3500K-90+ CRI 40: 4000K-90+ CRI | <p>DRIVER</p> <ul style="list-style-type: none"> ND: non-dimming [Dimming] D: 0-10V, 1% HE: Lutron EcoSystem, 1% HES: Lutron EcoSystem, soft-on/fade-to-black, 1% H2: Lutron Hi-lume 2-wire forward phase, 1%, (120V ONLY) H3: Lutron Hi-lume, 3-wire, 1% E5: Lutron EcoSystem 5-Series, 5% EL: eldoLED ECOdrive, 0-10V, 1% | <p>LIGHT OUTPUT (lumens per foot)</p> <ul style="list-style-type: none"> L: low - 640 R: regular - 830 H: high - 1090 CF: consult factory for custom output | <p>MOUNT</p> <ul style="list-style-type: none"> C4: cable mount 4' cable length C8: cable mount 8' cable length CF: consult factory for custom mounting | <p>RUN CONFIGURATION</p> <ul style="list-style-type: none"> SN: single ST: starter AD: adder TR: terminator | <p>FINISH</p> <ul style="list-style-type: none"> AW: architectural white (semi-matte) WH: white (semi-gloss) BL: black (semi-matte) MB: matte black ESS: environmental satin silver PT: platinum* BZ: bronze PR: primer CF: consult factory for custom finish SA: satin anodize (may require additional lead time) |
|---|---|--|--|---|--|---|

Note: Each fixture includes a remote driver matched for fixture length and light output

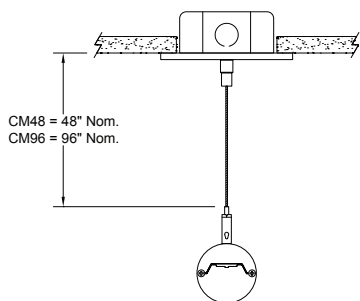
* A standard finish requiring a two-step coating process - premium will apply

** Actual dimension dependent on run configuration

MOUNTING

ORDERING CODE

DESCRIPTION



C4 and C8

CABLE MOUNT

Mounting option includes:

- Ø 1/16" x 48" (C4) or 96" (C8) aircraft cables
- 60" (C4) or 108" (C8) power cable (in coordinating finish)
- Bracket bars
- Ø 5" white canopies
- Ceiling couplers
- Side exit cable grippers