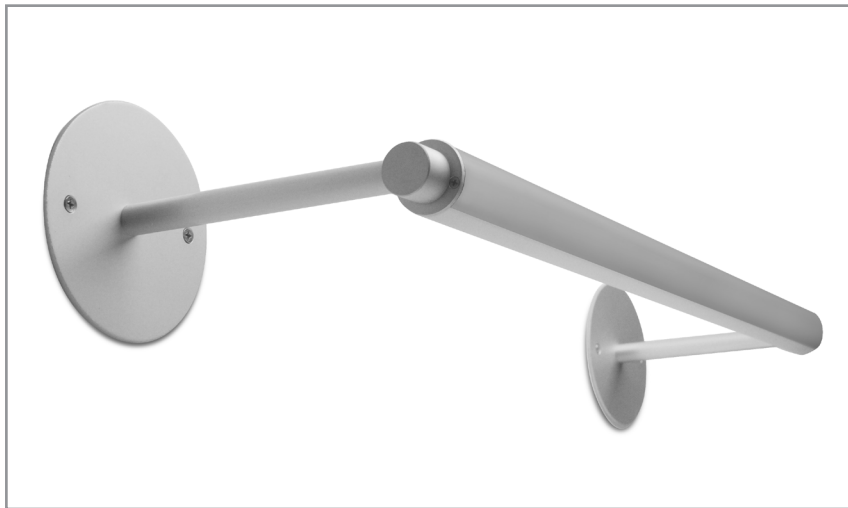


Project: _____ Type: _____



FEATURES

Part of the Tubular family of LED luminaires, the BSS501 is an arm mounted model ideally suited for wall wash and stack lighting. Slender aluminum arms project the Ø1-3/8" extruded aluminum housing from a wall or ceiling. A frosted acrylic lens diffuses the light from high quality diodes, while a generous range of rotation allows for flexible aiming.

SPECIFICATIONS

Fixture housing constructed of an extruded aluminum tube, frosted acrylic extruded lens and sheet aluminum end caps

Fixture arms are constructed of steel pipe, Ø5/8" extruded aluminum sleeves and machined aluminum end cap couplers.

Mounting plate options include a Ø4-3/4" aluminum plate for mounting to 4" octagonal wall boxes or Ø1-3/8" aluminum plate for mounting to accessible panels.

Standard finishes as shown below

Single and continuous run fixtures available with arm center distances of 24"-90"

Arms allow fixture to project from a wall or ceiling nominally 3", 6", 12" or 18"

Fixture housing rotates 332° and is locked in place with hex fastener

Included standard remote 120-277V driver offered with 0-10V dimming or non-dim (other dimming driver options available)

Fixture wired with 10', low voltage leads (measured from the end cap)

Standard outputs are 400 and 525 lumens per foot

LEDs available in 2700K, 3000K, 3500K, and 4000K, within a 3 step MacAdam ellipse, all with 90+ CRI typical

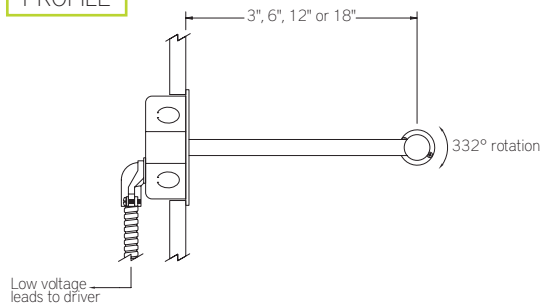
Life: 50,000 hours L₇₀

Limited five year warranty

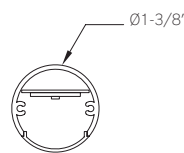
UL and C-UL listed for dry and damp locations



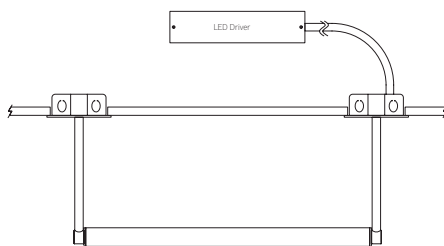
PROFILE



SECTION



PLAN



PERFORMANCE

*Note: All data reflects fixtures with 3500K LEDs

NOMINAL LENGTH	OUTPUT	LUMENS/ft.	WATTS/ft.	LUMINAIRE LUMENS	EFFICACY (LPW)
4'	L: low	400	4.6	1525	88
	R: regular	525	6.5	1980	80

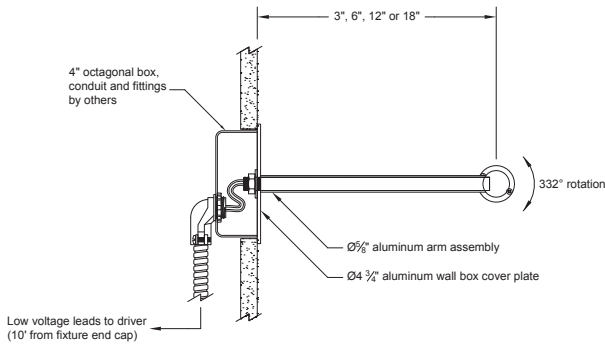
BSS501 -

ARM CENTER DISTANCE	CORRELATED COLOR TEMPERATURE	DRIVER	LIGHT OUTPUT (lumens per foot)	NOMINAL ARM LENGTH	RUN CONFIGURATION	FINISH
2: 24"	27: 2700K-90+ CRI	ND: non-dimming	L: low - 400	3: 3"	SN: single	AW: architectural white (semi-matte)
3: 35"	30: 3000K-90+ CRI	[Dimming]	R: regular - 525	6: 6"	ST: starter	WH: white (semi-gloss)
4: 46"	35: 3500K-90+ CRI	D: 0-10V, 1%	CF: consult factory for custom output	12: 12"	AD: adder	BL: black (semi-matte)
5: 57"	40: 4000K-90+ CRI	HES: Lutron EcoSystem, soft-on/fade-to-black, 1%		18: 18"	TR: terminator	MB: matte black
6: 68"		H2: Lutron Hi-lume 2-wire forward phase, 1%, (120V ONLY)				ESS: environmental satin silver
7: 79"		E5: Lutron EcoSystem 5-Series, 5%				BZ: bronze
8: 90"		EL: eldoLED ECOdrive, 0-10V, 1%				PR: primer
						CF: consult factory for custom finish
						SA: satin anodize (may require additional lead time)
					MOUNTING PLATE OPTION	
					WBR: wall box plate	
					TP: trim plate	

Note: Each fixture includes a remote driver matched for fixture length and light output.

MOUNTING PLATE OPTION

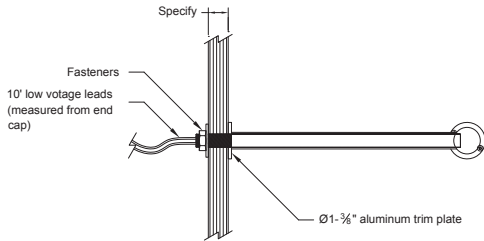
ORDERING CODE DESCRIPTION



WBR

WALL BOX MOUNTING PLATE

- Ø4-3/4" x 1/8" sheet aluminum plate in matching finish for mounting to 4" octagonal junction box (by others)
- Includes flat head Phillips machine screws



TP

TRIM PLATE

- 1-3/8" x 1/8" sheet aluminum plate in matching finish for mounting to a panel with access to the back side
- Includes 10' low voltage leads (measured from end cap), flat washer and hex nut
- Accommodates panel thickness up to 3/4" – (consult factory for special mounting conditions)

ARM CENTER DISTANCE

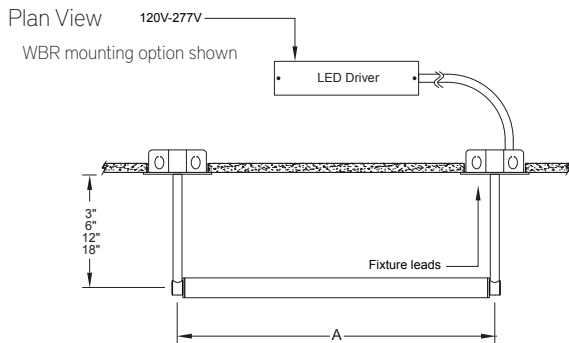
ORDERING CODE	LENGTH A
2	24"
3	35"
4	46"
5	57"
6	68"
7	79"
8	90"

RUN CONFIGURATION INFORMATION

ORDERING CODE	DESCRIPTION
SN	Single
ST	Starter
AD	Adder
TR	Terminator

RUN INFORMATION

Single Fixtures



Continuous Runs

