

# BSS501 | GENERAL INFORMATION



1-3/8" O.D. arm mount LED fixture with frosted lens and remote driver

Project: \_\_\_\_\_ Type: \_\_\_\_\_



## FEATURES

Part of the Tubular series of LED luminaires, the BSS501 is an arm mounted model ideally suited for wall wash and stack lighting. Slender aluminum arms project the Ø1-3/8" extruded aluminum housing from a wall or ceiling. A frosted acrylic lens diffuses the light from high quality diodes, while a generous range of rotation allows for flexible aiming.

## SPECIFICATIONS

Fixture housing constructed of an extruded aluminum tube, frosted acrylic extruded lens and sheet aluminum end caps

Fixture arms are constructed of steel pipe, Ø5/8" extruded aluminum sleeves and machined aluminum end cap couplers.

Includes Ø4-3/4" x 1/8" thick aluminum plates and screws for mounting to 4" octagonal wall boxes (by others)

Standard finishes include satin anodize, polished anodize, or Fluoroscape White (semi-matte), white (semi-gloss), black (semi-matte), matte black, silver, platinum\*, bronze and primer powder coat, applied post production (consult factory for custom finishes)

Available in nominal lengths of 24"-92" single fixtures and continuous runs

Arms allow fixture to project from a wall or ceiling nominally 3", 6", 12" or 18"

Fixture housing rotates 332° and is locked in place with hex fastener

Requires a remote driver and enclosure (ordered separately, refer to supplemental driver sheet for general information and consult factory for details and specification model number)

Fixture wired with 10', 18 ga. low voltage leads

LEDs available in 3000K, 3500K, 4000K, 5000K, all with a typical 84-85 CRI and color consistency within a 3 step MacAdam ellipse

Lamp life rated at 50,000 hours

Limited five year warranty

UL and C-UL listed for dry and damp locations

IBEW manufactured and assembled

Made in U.S.A.

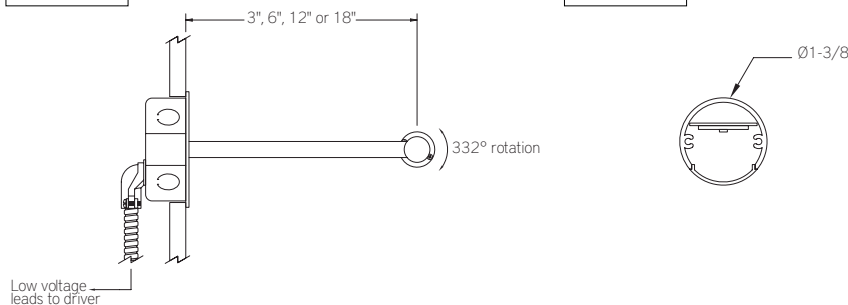
## PERFORMANCE

| NOMINAL LENGTH | WATTS/ft. | TOTAL WATTS | LUMINAIRE LUMENS | EFFICACY |
|----------------|-----------|-------------|------------------|----------|
| 45"            | 5.3       | 20.0        | 1987             | 99       |
| 45"            | 7.2       | 27.1        | 2144             | 79       |
| 45"            | 12.0      | 45.1        | 3855             | 86       |

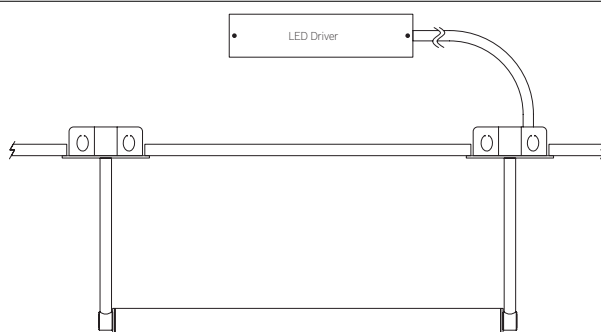
\*Note: All data reflects fixtures with 3500K LEDs

## PROFILE

## SECTION



## PLAN



## BSS501 +

### ARM CENTER DISTANCE

24: 24-3/8"  
36: 35-9/16"  
47: 46-3/4"  
58: 57-15/16"  
69: 69-1/8"  
80: 80-5/16"  
92: 91-1/2"

### COLOR TEMPERATURE

30: 3000K - 84 CRI  
35: 3500K - 85 CRI  
40: 4000K - 85 CRI  
50: 5000K - 85 CRI

### WATTS/FOOT

5: 5.3 W/ft.  
7: 7.2 W/ft.  
12: 12 W/ft.  
CF: consult factory for custom wattage

### NOMINAL ARM LENGTH

3: 3"  
6: 6"  
12: 12"  
18: 18"  
CF: consult factory for custom arm length

### RUN CONFIGURATION

SIN: single  
STA: starter  
ADD: adder  
TER: terminator

### FINISH

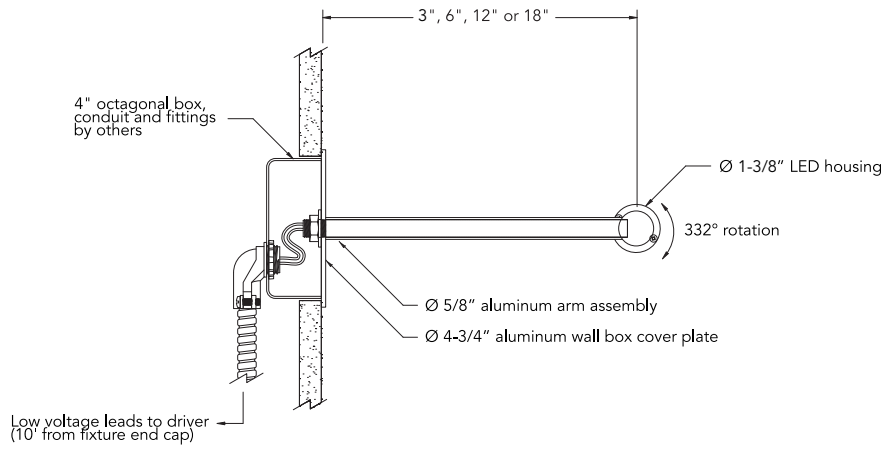
SA: satin anodize  
PA: polished anodize  
FW: Fluoroscape white (semi-matte)  
WH: white (semi-gloss)  
BL: black (semi-matte)  
MB: matte black  
SL: silver  
PT: platinum\*  
BZ: bronze  
PR: primer  
CF: consult factory for custom finish

Note: Remote driver ordered separately, refer to supplemental driver details sheet for availability

\* A standard finish requiring a two step coating process - premium will apply

## MOUNTING

## DESCRIPTION



- Ø 1-3/8" LED housing with frosted lens
- Aluminum end cap/arm couplers
- Threaded arm tube
- Aluminum arm sleeve
- Ø 4-3/4" wall box mounting plate
- Flat head Philips mounting plate screw