

BSS500 | GENERAL INFORMATION

1-3/8" O.D. cylindrical LED down light fixture for remote driver operation



Project: _____ Type: _____



FEATURES

The BSS500 is a suspended linear LED down light with remote driver for general lighting applications. The Ø1-3/8" extruded aluminum housing is fitted with tightly spaced diodes and a frosted acrylic lens to produce seamless, diffuse illumination. Heavy gauge aluminum end caps finish off the fixture ends.

SPECIFICATIONS

Fixture constructed of an extruded aluminum housing, frosted acrylic extruded lens and sheet aluminum end caps

Standard finishes include satin anodize or Fluoroscope White (semi-matte), white (semi-gloss), black (semi-matte), matte black, silver, platinum*, bronze and primer powder coat, applied post production (consult factory for custom finishes)

Available in nominal lengths of 23"-90" single fixtures and continuous runs

Fixtures include coordinating (white, metal braided) 18 ga. power cable

Requires a remote driver and enclosure (ordered separately, refer to supplemental driver sheet for general information and consult factory for details and specification model number)

Remote mounted emergency battery backup available (ordered separately, consult factory for details)

Standard outputs are 5W, 7W and 12W nominal per foot

LEDs available in 3000K, 3500K, 4000K, 5000K, all with a typical 84-85 CRI and color consistency within a 3 step MacAdam ellipse

Lamp life rated at 50,000 hours

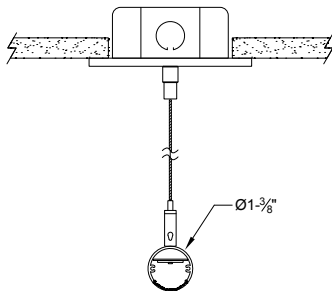
Limited five year warranty

UL and C-UL listed for dry and damp locations

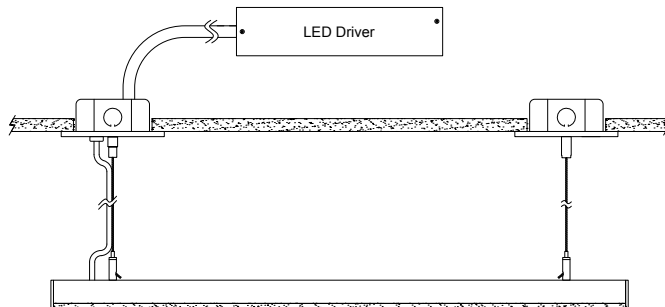
IBEW manufactured and assembled

Made in U.S.A.

SECTION



SIDE



PERFORMANCE

*Note: All data reflects fixtures with 3500K LEDs

NOMINAL LENGTH	WATTS/ft.	TOTAL WATTS	LUMINAIRE LUMENS	EFFICACY
45"	5.3	20.0	1987	99
45"	7.2	27.1	2144	79
45"	12.0	45.1	3855	86

BSS500 +

**NOMINAL FIXTURE LENGTH

23: 22-7/8"
34: 34-1/16"
45: 45-1/4"
56: 56-7/16"
68: 67-5/8"
79: 78-13/16"
90: 90"

COLOR TEMPERATURE

30: 3000K - 84 CRI
35: 3500K - 85 CRI
40: 4000K - 85 CRI
50: 5000K - 85 CRI

WATTS/FOOT

5: 5.3 W/ft.
7: 7.2 W/ft.
12: 12 W/ft.
CF: consult factory for custom output

MOUNT

CM48: cable mount 48" cable length
CM96: cable mount 96" cable length
CF: consult factory for custom mounting

RUN CONFIGURATION

SN: single
ST: starter
AD: adder
TR: terminator

FINISH

SA: satin anodize
FW: Fluoroscope white (semi-matte)
WH: white (semi-gloss)
BL: black (semi-matte)
MB: matte black
SL: silver
PT: platinum*
BZ: bronze
PR: primer
CF: consult factory for custom finish

Note: Remote driver ordered separately, refer to supplemental driver details sheet for availability

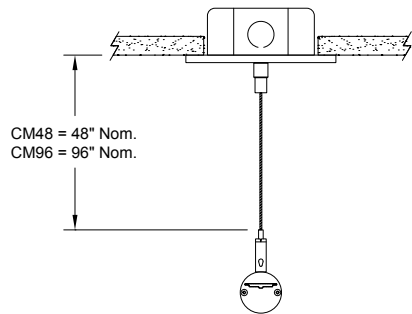
* A standard finish requiring a two step coating process - premium will apply

** Actual dimension dependent on run configuration

MOUNTING

ORDERING CODE

DESCRIPTION



CM48 and CM96

CABLE MOUNT

Mounting option includes:

- \varnothing 1/16" x 48" (CM48) or 96" (CM96) aircraft cables
- 18 gauge x 60" (CM48) or 108" (CM96) SJT power cable (in coordinating finish)
- Bracket bars
- \varnothing 5" white canopies
- Ceiling couplers
- Side exit cable grippers