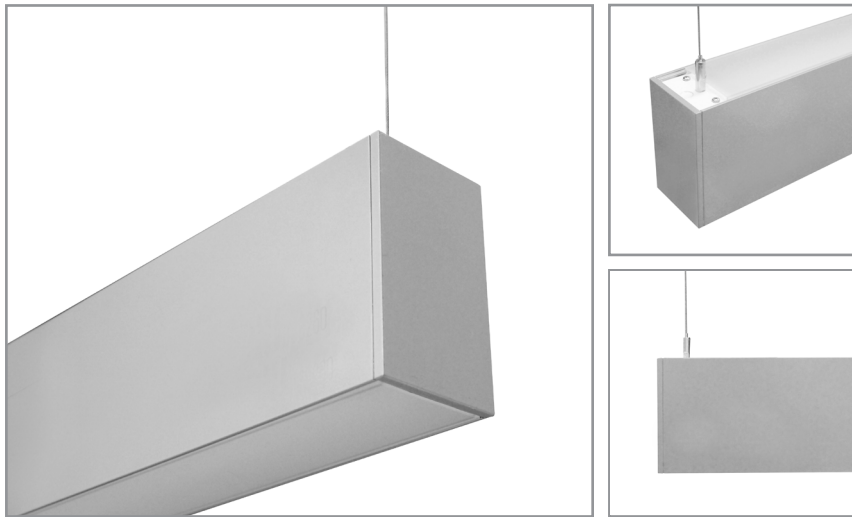


BSS260 | BODHI GENERAL INFORMATION



Rectilinear LED up/down light fixture

Project: _____ Type: _____



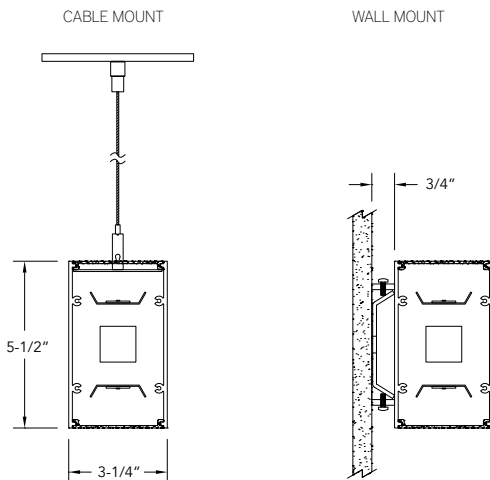
FEATURES

The Bodhi series BSS260 is a rectilinear direct/indirect LED luminaire for general lighting applications. The 3-1/4" wide by 5-1/2" high extruded aluminum housing is offered for wall or cable suspended mounting. The two LED sources can be configured independently for both switching, color temperature and lumen output.

SPECIFICATIONS

- Fixture constructed of extruded aluminum, frosted extruded acrylic lenses and machined aluminum end caps
- Model variations offered for wall mount and cable suspended applications
- Standard finishes as shown below
- Available in nominal lengths of 2'-8' single fixtures and continuous runs
- Continuous runs fitted with quick connects for simple, efficient wiring
- Available with dual circuiting of up light and down light elements and independent Wattage/foot options
- Standard integral 120-277V driver offered with 0-10V dimming or non-dim (other dimming driver options available)
- Remote mounted emergency battery backup available (ordered separately, consult factory for details)
- Standard outputs are 5W and 8W nominal per foot
- LEDs available in 3000K, 3500K, 4000K, 5000K, all with a typical 84-85 CRI and color consistency within a 3 step MacAdam ellipse
- Lamp life rated at 50,000 hours
- Limited five year warranty
- UL and C-UL listed for dry and damp locations
- IBEW manufactured and assembled
- Made in U.S.A.

SECTION



PERFORMANCE

NOMINAL LENGTH	WATTS/FT.	TOTAL WATTS	LUMINAIRE LUMENS	EFFICACY
45"	16.6 (2 X 8.3)	61.8	6082	98

*Note: All data reflects fixtures with 3000K LEDs



BSS260 -

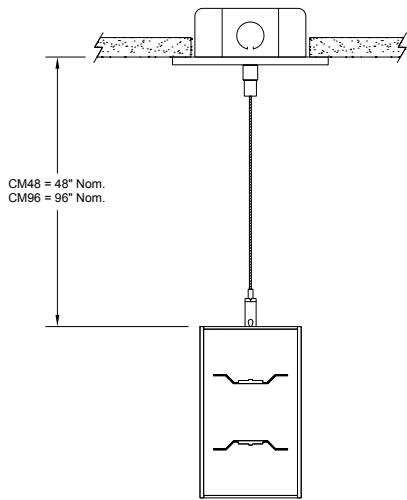
NOMINAL FIXTURE LENGTH* 2: 22-5/8" 3: 33-5/8" 4: 44-5/8" 5: 55-5/8" 6: 66-5/8" 7: 77-5/8" 8: 88-5/8"	COLOR TEMPERATURE 30: 3000K - 84 CRI 35: 3500K - 85 CRI 40: 4000K - 85 CRI 50: 5000K - 85 CRI	DRIVER [Non-Dimming] leave blank for non-dimming [Dimming] DM: 0-10V, 1% HES: Lutron EcoSystem, soft-on/fade-to-black, 1% H2: Lutron Hi-lume 2-wire forward phase, 1%, (120V ONLY) EL: eldoLED ECOdrive 0-10V, 1%	UP LIGHT WATTS/FOOT 5: 5 W/ft. 8: 8.3 W/ft. CF: consult factory for custom output	MOUNT CM48: cable mount 48" cable length CM96: cable mount 96" cable length WM: wall mount CF: consult factory for custom mounting	RUN CONFIGURATION SN: single ST: starter AD: adder TR: terminator	FINISH AW: architectural white (semi-matte) WH: white (semi-gloss) BL: black (semi-matte) MB: matte black ESS: environmental satin silver BZ: bronze PR: primer CF: consult factory for custom finish SA: satin anodize (may require additional lead time)
			CIRCUIT 1: single circuit 2: dual circuit	DOWN LIGHT WATTS/FOOT 5: 5 W/ft. 8: 8.3 W/ft. CF: consult factory for custom output		

* Actual dimension dependent on run configuration

MOUNTING

ORDERING CODE

DESCRIPTION

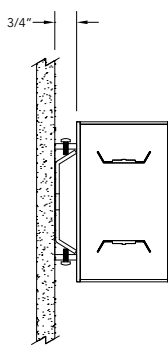


CM48 and CM96

CABLE MOUNT

Mounting option includes:

- \varnothing 1/16" x 48" (CM48) or 96" (CM96) aircraft cables
- 18 gauge x 60" (CM48) or 108" (CM96) SJT power cable (in coordinating finish)
- Bracket bars
- \varnothing 5" white canopies
- Ceiling couplers
- Side exit cable grippers



WM

WALL MOUNT

Mounting option includes:

- Use appropriate fasteners through \varnothing 3/16" holes in heavy gauge mounting bracket
- 4" H x 4" W aluminum trim collar projects the fixture housing 3/4" from the wall surface
- Set screws