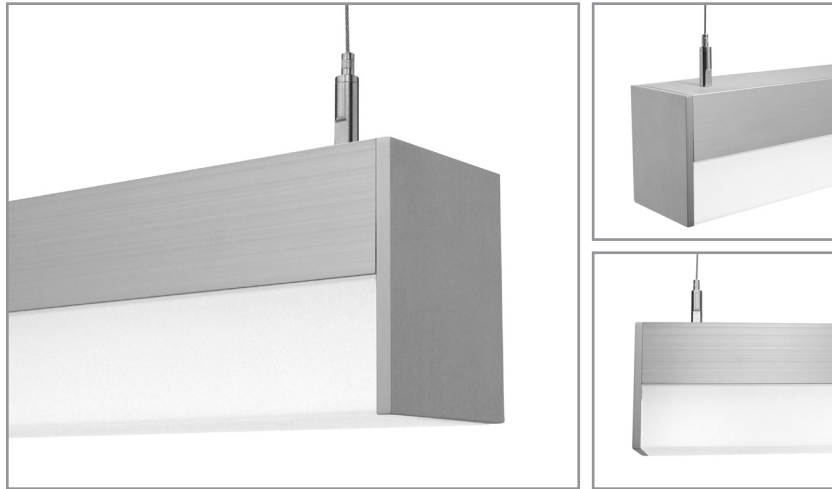


BSS215 | **bodhi**

3-1/8" wide LED luminaire with drop lens

Project: _____ Type: _____



FEATURES

The BSS215 is a linear LED luminaire for general lighting applications. The 3-1/8" wide extruded aluminum housing is capped by a 2" tall, frosted, three-sided lens that produces a wide distribution of diffuse illumination. 1/4" thick machined aluminum end caps finish off the fixture ends. The BSS215 is Controls Capable, being offered with a variety of integrated control options.

Fixture with certain options available for 7-Day QuickShip.

SPECIFICATIONS

Fixture constructed of an extruded aluminum housing, extruded, frosted acrylic lens and machined aluminum end caps.

Model variations offered for surface, wall mount and cable suspended mounting with solid or luminous end options.

Standard finishes as shown below.

Available in nominal lengths of 2'-8' single fixtures and continuous runs.

Basic continuous run fixtures provided with 18 ga. wiring harness for 6 Amp maximum load (consult factory for runs requiring multiple circuits, sensor integration, etc.).

Standard integral 120-277V driver offered with 0-10V dimming or non-dim (other dimming driver options available).

Integral 120-277V emergency battery backup available for 4' nominal non-dim or 0-10V (consult factory for all other lengths/drivers).

Standard light outputs are 600, 840 or 1135 lumens per foot.

LEDs available in 3000K, 3500K, 4000K, 5000K, within a 3 step MacAdam ellipse, all with 80+ CRI typical.

Life: 50,000 hours L₇₀.

Bartco Lighting Controls Capable fixture available with integrated controls from a variety of suppliers.

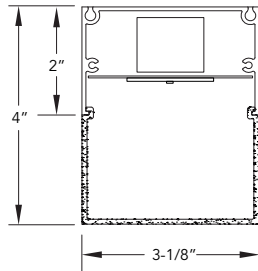
Limited five year warranty.

UL and C-UL listed for dry and damp locations



Highlighted fields denote QuickShip Options. See complete 7-Day QuickShip Terms and Conditions available at www.bartcolighting.com/quickship-products/. Purchase order must reference "QuickShip".

SECTION



PERFORMANCE

Note: All data reflects fixtures with 3500K LEDs and rectangular profile and solid ends.

NOMINAL LENGTH	OUTPUT	LUMENS/ft.	WATTS/ft.	LUMINAIRE LUMENS	EFFICACY (LPW)
4'	L: low	600	5.0	2177	117
	R: regular	840	7.8	3100	108
	H: high	1135	11.1	4189	102



BSS215 -

<p>NOMINAL FIXTURE LENGTH*</p> <p>2: 22-3/4"</p> <p>3: 33-3/4"</p> <p>4: 44-3/4"</p> <p>5: 55-3/4"</p> <p>6: 66-3/4"</p> <p>7: 77-3/4"</p> <p>8: 88-3/4"</p>	<p>CORRELATED COLOR TEMPERATURE</p> <p>30: 3000K-80+ CRI</p> <p>35: 3500K-80+ CRI</p> <p>40: 4000K-80+ CRI</p> <p>50: 5000K-80+ CRI</p>	<p>DRIVER</p> <p>ND: non-dimming</p> <p>[Dimming]</p> <p>D: 0-10V, 1%</p> <p>DTR: triac, 1%, (120V ONLY)</p> <p>DLV: electronic low voltage, 1%, (120V ONLY)</p> <p>HES: Lutron EcoSystem, soft-on/fade-to-black, 1%</p> <p>EL: eldoLED ECOdrive 0-10V, 1%</p> <p>ES: eldoLED SOLOdrive 0-10V, 0.1%</p> <p>ELD: eldoLED ECOdrive DALI, 1%</p> <p>ESD: eldoLED SOLOdrive DALI, 0.1%</p>	<p>LIGHT OUTPUT (lumens per foot)</p> <p>L: low – 600</p> <p>R: regular – 840</p> <p>H: high – 1135</p> <p>CF: consult factory for custom output</p>	<p>OPTIC</p> <p>A: rectangular profile – solid end</p> <p>B: rectangular profile – luminous end</p>	<p>OPTIONS</p> <p>ED: emergency driver (4' non-dim or 0-10V only)</p> <p>WS1A: Wattstopper FS-205, 100%-0% ‡</p> <p>WS1B: Wattstopper FS-205, 100%-50% ‡</p> <p>EN1: Enlighted FS-D22 ‡</p> <p>ES4: Philips EasySense SNS211 MC ‡</p> <p>CA1: Casambi CBU-A2D ‡</p> <p>NL1: nLight RES7 ‡</p> <p>NL2: nLight RIO ‡</p> <p>LA1: Lutron Athena A-WN-D01-RF-WH ‡</p> <p>LA2: Lutron Athena A-WN-D01-OCC-WH ‡</p>	<p>MOUNT</p> <p>SM: surface mount</p> <p>WD: wall mount – direct</p> <p>C4: cable mount 4' cable length</p> <p>C8: cable mount 8' cable length</p> <p>CF: consult factory for custom mounting</p>	<p>FINISH</p> <p>AW: architectural white (semi-matte)</p> <p>WH: white (semi-gloss)</p> <p>BL: black (semi-matte)</p> <p>MB: matte black</p> <p>ESS: environmental satin silver</p> <p>BZ: bronze</p> <p>PR: primer</p> <p>CF: consult factory for custom finish</p> <p>SA: satin anodize (may require additional lead time)</p>	<p>RUN CONFIGURATION</p> <p>SN: single</p> <p>ST: starter</p> <p>AD: adder</p> <p>TR: terminator</p>
---	--	--	---	--	--	--	---	---

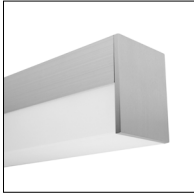
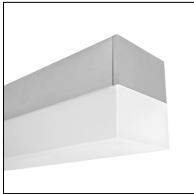
* Actual dimension dependent on run configuration.

‡ See Integrated Controls section for driver compatibility information.

BSS215 | **bodhi**

3-1/8" wide LED luminaire with drop lens

OPTIC

	ORDERING CODE	DESCRIPTION	SPECIFICATIONS
	A	RECTANGULAR SOLID END	Rectangular profile with full height aluminum end cap.
	B	RECTANGULAR LUMINOUS END	Rectangular profile with aluminum end cap and frosted acrylic lens end.

OPTIONS

ORDERING CODE	DESCRIPTION	SPECIFICATIONS
ED	EMERGENCY LED DRIVER	<ul style="list-style-type: none">• Universal 120-277V input voltage emergency driver delivers initial minimum power of 10W for 90 minutes.• Available for 4' nominal length non-dim or 0-10V fixture only (consult factory for all other lengths/drivers). <p>Note: remote battery backup available for shorter fixture lengths – ordered separately, consult factory for details.</p>

OPTIONS - INTEGRATED CONTROLS

Note: Control option takes up 4" of the overall lens length. For "A" and "B" optic option, controls are mounted to 1" H sheet formed cover that conforms to the lens profile.



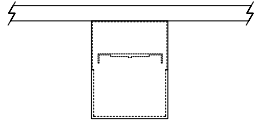
	ORDERING CODE	LIGHT OUTPUT SETTING	MODEL	CONTROL PROTOCOL	FUNCTIONS	COMPATIBLE DRIVERS
 WATTSTOPPER®	WS1A	100% – 0% ¹	FS-205	N/A	PIR occupancy and light level sensor.	For use with on/off or 0-10V dimming drivers only.
	WS1B	100% – 50% ¹				
	EN1	Set during commissioning	FS-D22	Bluetooth Wireless	PIR occupancy, ambient light sensing, daylight harvesting, and environment monitoring for use within an Enlighted control network.	Provided with Advance sensor ready series 0-10V dimming drivers.
 EasySense	ES4	Set during commissioning	SNS211 MC	Bluetooth Wireless	Occupancy, daylight harvesting and task tuning sensor with advance grouping, for use within a MasterConnect network.	Provided with Advance sensor ready series 0-10V dimming drivers.
	CA1	Set during commissioning	CBU-A2D	Bluetooth Wireless	0-10V/DALI driver controller, for use within a Casambi ecosystem.	For use with 0-10V or DALI drivers. Consult factory for details.
	NL1	Set during commissioning	RES7 ²	Radio Wireless	Dimming, PIR occupancy detection and daylight harvesting, for use within an nLight AIR network.	Provided with Advance sensor ready series or eldoLED 0-10V drivers.
	NL2		RIO ²		Dimming, for use within an nLight AIR network.	
	LA1	Set during commissioning	A-WN-D01-RF-WH	Radio Wireless	Dimming only for use with an Athena control system.	Provided with Advance sensor ready series or eldoLED 0-10V or eldoLED DALI-2 drivers.
	LA2		A-WN-D01-OCC-WH		Dimming, PIR occupancy and daylight sensor for use with an Athena control system.	

1. Consult factory for custom light output setting.
 2. Consult your Acuity representative for application-specific model number.

MOUNTING

ORDERING CODE

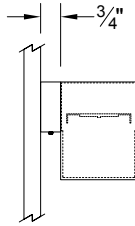
DESCRIPTION



SM

SURFACE MOUNT

Use appropriate fastener through $\varnothing 3/16"$ holes in housing

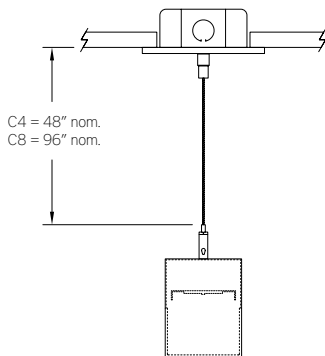


WD

WALL MOUNT - DIRECT ORIENTATION

Mounting option includes:

- 1-7/8" H x 4-1/2" W aluminum bracket projects the fixture housing 3/4" from the wall surface



C4 and C8

CABLE MOUNT

Mounting option includes:

- $\varnothing 1/16"$ x 48" (C4) or 96" (C8) aircraft cables
- 60" (C4) or 108" (C8) power cable (in coordinating finish)
- Bracket bars
- $\varnothing 5"$ white canopies
- Ceiling couplers
- Side exit cable grippers

LENGTH / MOUNTING DIMENSIONS

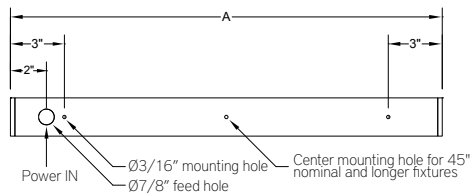
ORDERING CODE	LENGTH A	LENGTH B	LENGTH C	LENGTH D	LENGTH E
2	22-3/4"	22-1/2"	22-1/4"	16-3/4"	19-1/2"
3	33-3/4"	33-1/2"	33-1/4"	27-3/4"	30-1/2"
4	44-3/4"	44-1/2"	44-1/4"	38-3/4"	41-1/2"
5	55-3/4"	55-1/2"	55-1/4"	49-3/4"	52-1/2"
6	66-3/4"	66-1/2"	66-1/4"	60-3/4"	63-1/2"
7	77-3/4"	77-1/2"	77-1/4"	71-3/4"	74-1/2"
8	88-3/4"	88-1/2"	88-1/4"	82-3/4"	85-1/2"

RUN CONFIGURATION INFORMATION

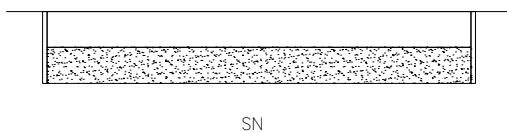
ORDERING CODE	DESCRIPTION
SN	Single
ST	Starter
AD	Adder
TR	Terminator

RUN INFORMATION

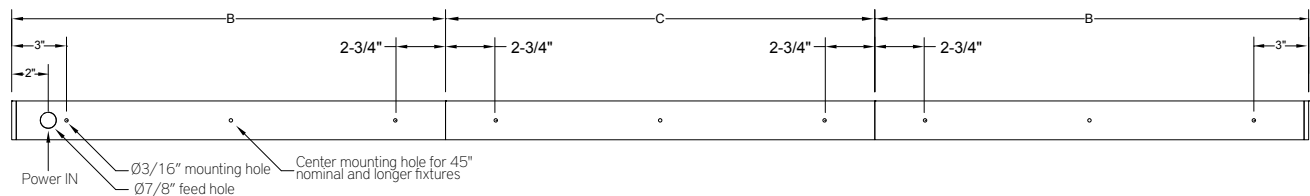
Back Plan - Surface Mount Single Fixture Option



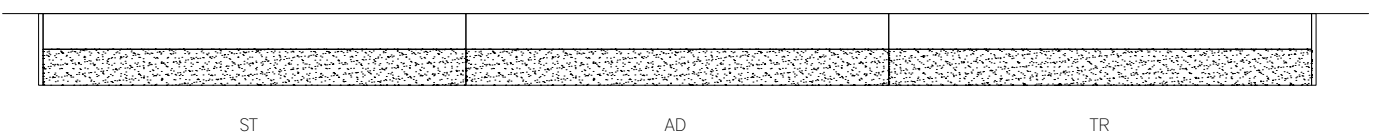
Side View - Surface Mount Single Fixture Option



Back Plan - Surface Mount Continuous Run Option

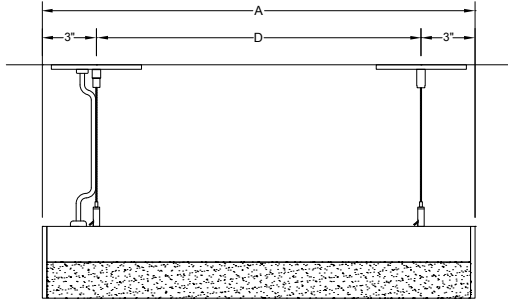


Side View - Surface Mount Continuous Run Option



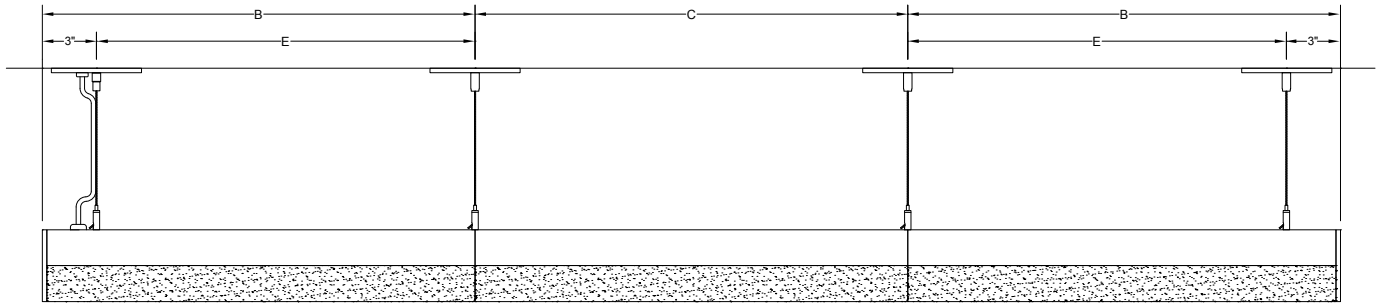
RUN INFORMATION

Side View- Cable Mount Single Fixture Option



SN

Side View - Cable Mount Continuous Run Option



ST

AD

TR