

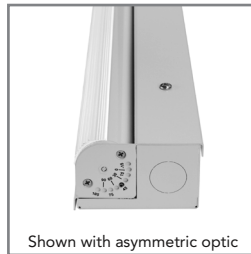
BSS110 | GENERAL INFORMATION

Adjustable linear LED cove mount luminaire

Project: _____ Type: _____



Shown with asymmetric optic



Shown with asymmetric optic



Shown with frosted optic

FEATURES

The BSS110 is a small profile, linear LED fixture for cove mount applications. The sheet formed and extruded components combine to produce a rugged, functional and simple luminaire. The unique rotating element allows for 120° range of focus adjustment and positive locking that is easily performed in the field. The BSS110 is fitted with 90+ CRI LEDs and available with two lens options.

SPECIFICATIONS

Fixture mounting/wiring channel is formed and welded 20 ga. steel chemically treated to resist corrosion and enhance paint adhesion

LED housing is extruded aluminum with sheet aluminum end caps

Standard fixture finish is semi-gloss white powder coat, applied post production

Asymmetric and general diffuse extruded acrylic lens options available

Available in nominal lengths of 2', 3', 4' and 5'

LED housing rotates and locks in place without tools at -15°, 0°, 15°, 30°, 45°, 60°, 75°, 90° and 105°

Knock outs on ends, and underside accept standard electrical fittings by others

Standard integral 120V-277V driver offered with 0-10V dimming or non-dim (other dimming driver options available)

Integral 120-277V emergency battery backup available for 4' nominal non-dim or 0-10V (consult factory for all other lengths/drivers)

Standard outputs range from 465 to 640 lumens per foot

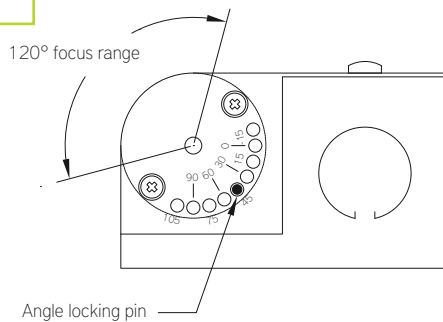
LEDs available in 2700K, 3000K, 3500K, and 4000K, within a 3 step MacAdam ellipse, all with 90+ CRI typical

Life: 50,000 hours L₇₀

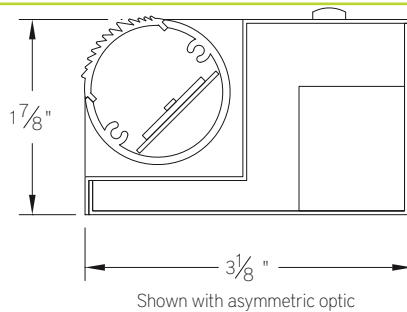
Limited five year warranty

UL and C-UL listed for dry and damp locations

PROFILE



SECTION



Shown with asymmetric optic

PERFORMANCE

NOMINAL LENGTH	OPTIC OPTION	OUTPUT	LUMENS/ft.	WATTS/ft.	LUMINAIRE LUMENS	EFFICACY (LPW)
4'	Asymmetric	L: low	475	5.5	1791	86
		R: regular	640	7.6	2414	84
	Frosted	L: low	465	5.6	1753	83
		R: regular	625	7.7	2362	81

*Note: All data reflects fixtures with 3500K LEDs



BSS110 -

FIXTURE LENGTH

- 2: 23-3/32"
- 3: 34-9/32"
- 4: 45-15/32"
- 5: 56-23/32"

CORRELATED COLOR TEMPERATURE

- 27: 2700K-90+ CRI
- 30: 3000K-90+ CRI
- 35: 3500K-90+ CRI
- 40: 4000K-90+ CRI

DRIVER

- ND: non-dimming
- 347: 347V non-dimming

[Dimming]

- DM: 0-10V, 1%
- HES: Lutron EcoSystem, soft-on/fade-to-black, 1%
- H2: Lutron Hi-lume 2-wire forward phase, 1%, (120V ONLY)
- E5: Lutron EcoSystem 5-Series, 5%
- EL: eldoLED ECOdrive 0-10V, 1%

LIGHT OUTPUT (lumens per foot w/ optic option A)

- L: low - 475
- R: regular - 640
- CF: consult factory for custom output

OPTIC

- A: asymmetric
- F: frosted

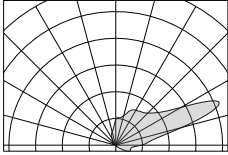
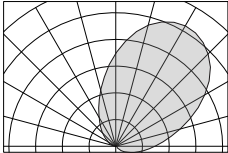
OPTIONS

- ED: emergency driver (4' nom. non-dim or 0-10V only)


BSS110 | GENERAL INFORMATION

Adjustable linear LED cove mount luminaire

OPTIC OPTION

	ORDERING CODE	DESCRIPTION
	A	Asymmetric light distribution
	F	Lambertian light distribution

OPTIONS

	ORDERING CODE	DESCRIPTION	SPECIFICATIONS
	ED	EMERGENCY LED DRIVER	<ul style="list-style-type: none"> • Universal 120-277V input voltage emergency driver delivers initial minimum power of 10W for 90 minutes • Available for 4' nominal length non-dim or 0-10V fixture only (consult factory for all other lengths/drivers) • Provided with combination test switch/indicator light mounted to wall plate for remote installation