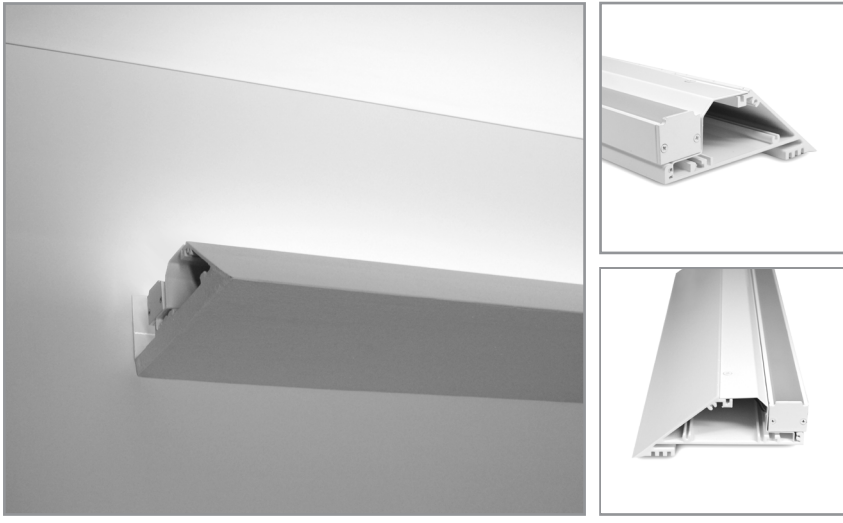


ADL200 | GENERAL INFORMATION



Linear LED fixture with knife edge cove extrusion

Project: _____ Type: _____



FEATURES

The ADL200 is a small profile, linear LED fixture with an integrated knife edge cove extrusion. The sharp edge extrusion attaches to heavy gauge steel wall brackets and accepts 1/2" thick drywall on its underside. Many driver options fit within the angular housing and a low profile LED housing with a frosted acrylic lens provides even, diffuse illumination on the interior cove surfaces.

SPECIFICATIONS

Aluminum knife edge extrusion finished in primer powder coat

Formed 16 ga. steel mounting brackets and 20 ga. aluminum driver cover/wire way finished in semi-gloss white powder coat

Extruded aluminum LED housing and sheet aluminum end caps finished in semi-gloss white powder coat

LED housing includes frosted acrylic lens for wide angle diffusion

Available in nominal lengths of 23", 34" and 46"

Standard 120-277V integral driver offered with 0-10V dimming or non-dim (other dimming driver options available)

Remote mounted emergency battery backup available (ordered separately, consult factory for details)

Standard light outputs are 6W or 8W nominal per foot

LEDs available in 3000K, 3500K, 4000K, 5000K, all with a typical 84-85 CRI and color consistency within a 3 step MacAdam ellipse

Lamp life rated at 50,000 hours

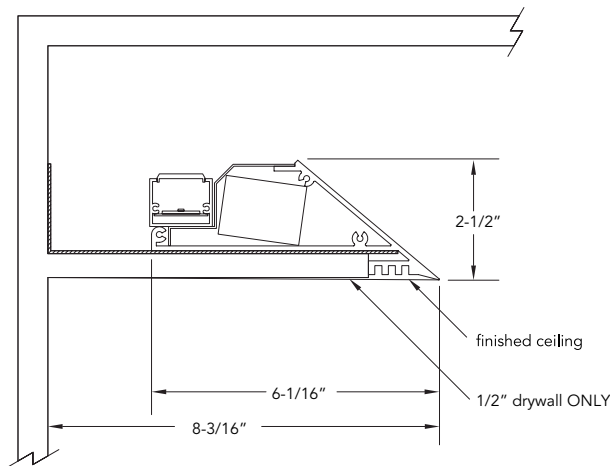
Limited five year warranty

UL and C-UL listed for dry and damp locations

IBEW manufactured and assembled

Made in U.S.A.

PROFILE



PERFORMANCE

NOMINAL LENGTH	WATTS/FT	TOTAL WATTS	LUMINAIRE LUMENS	EFFICACY
45"	6.1	23.2	1936	83
45"	8.6	31.9	2580	81

Note: All data reflects fixtures with 3500K LEDs

ADL200 +

FIXTURE LENGTH 23: 22-1/2" 34: 33-1/2" 45: 44-1/2"	+	COLOR TEMPERATURE 30: 3000K - 84 CRI 35: 3500K - 85 CRI 40: 4000K - 85 CRI 50: 5000K - 85 CRI	+	DRIVER [Non-Dimming] leave blank for non-dimming [Dimming] DM: 0-10V, 1% HE: Lutron EcoSystem, 1% HES: Lutron EcoSystem, soft-on/fade-to-black, 1% H2: Lutron Hi-lume 2-wire forward phase, 1%, (120V ONLY) H3: Lutron Hi-lume, 3-wire, 1% EL: eldoLED ECOdrive 0-10V, 1%	+	WATTS / FOOT 6: 6.1W / ft 8: 8.6W / ft CF: consult factory for custom wattage	+	LENS F: frosted
---	---	---	---	--	---	--	---	--------------------