

PRELIMINARY

BSS521 | GENERAL INFORMATION



3-1/2" O.D. arm mount LED fixture with frosted lens

Project: _____ Type: _____



FEATURES

Part of the Tubular family of LED luminaires, the BSS521 is an arm mounted model ideally suited for wall wash and general illumination. Aluminum arms project the Ø3-1/2" extruded aluminum housing from a wall or ceiling. A frosted acrylic lens diffuses the light from high quality diodes, while a generous range of rotation allows for flexible aiming.

SPECIFICATIONS

Fixture constructed of an extruded aluminum housing, frosted acrylic extruded lens and sheet aluminum end caps

Fixture arms are constructed of steel pipe, Ø3/4" extruded aluminum sleeves and machined aluminum end cap couplers

Includes Ø4-3/4" x 1/8" thick aluminum plates and screws for mounting to 4" octagonal wall boxes (by others)

Standard finishes include satin anodize, polished anodize, or Fluorescape White (semi-matte), white (semi-gloss), black (semi-matte), matte black, silver, platinum, bronze and primer powder coat, applied post production (consult factory for custom finishes)

Available in nominal lengths of 24"-69" single fixtures and continuous runs

Arms allow fixture to project from a wall or ceiling nominally 4", 6", 12" or 18"

Fixture housing rotates 338° and is locked in place with hex fastener

Standard driver offered with 0-10V dimming or non-dim

Other dimming driver options available (refer to supplemental driver details sheet for availability)

Remote mounted emergency battery backup available (ordered separately, consult factory for details)

LEDs available in , 3000K, 3500K, 4000K, 5000K, all with a typical 84-85 CRI and color consistency within a 3 step MacAdam ellipse

Lamp life rated at 50,000 hours

Limited five year warranty

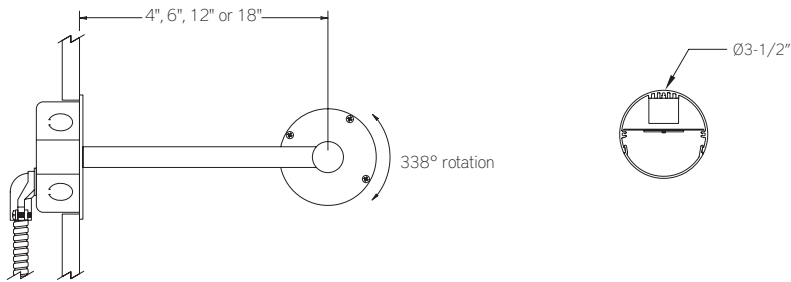
UL and C-UL listed for dry and damp locations

IBEW manufactured and assembled

Made in U.S.A.

PROFILE

SECTION



PLAN



BSS521 +

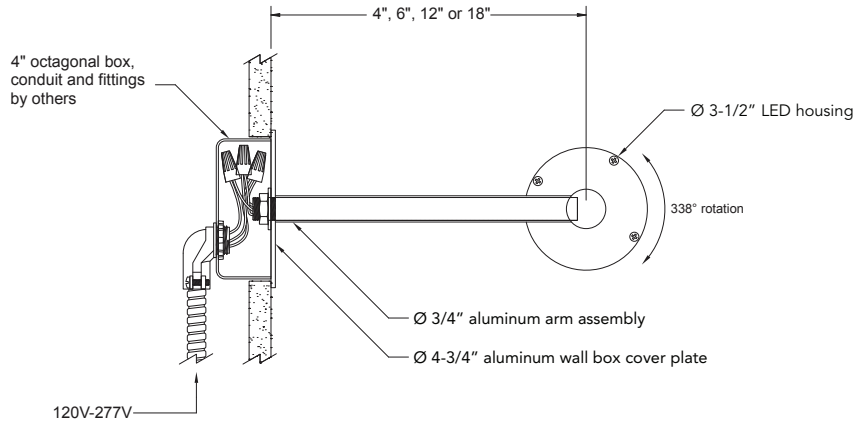
ARM CENTER DISTANCE 24: 24-3/8" 36: 35-9/16" 47: 46-3/4" 58: 57-15/16" 69: 69-1/8"	COLOR TEMPERATURE 30: 3000K - 84 CRI 35: 3500K - 85 CRI 40: 4000K - 85 CRI 50: 5000K - 85 CRI	DRIVER [Non Dimming] leave blank for non dimming [Dimming] DIM: Advance 0-10V ESYS: Lutron EcoSystem 5-Series HLM: Lutron Hi-Lume A-Series SD: Advance step dim	WATTS/FOOT 5: 5 W/ft. 8: 8.5 W/ft. CF: consult factory for custom wattage	NOMINAL ARM LENGTH 4: 4" 6: 6" 12: 12" 18: 18" CF: consult factory for custom arm length	RUN CONFIGURATION SIN: single STA: starter ADD: adder TER: terminator	FINISH SA: satin anodize PA: polished anodize FW: Fluorescape white (semi-matte) WH: white (semi-gloss) BL: black (semi-matte) MB: matte black SL: silver PT: platinum* BZ: bronze PR: primer CF: consult factory for custom color
----------------------------------------------------------------------------------------------------------	------------------------------------------------------------------------------------------------------------------	-----------------------------------------------------------------------------------------------------------------------------------------------------------------------------------------------------------	-------------------------------------------------------------------------------------------	----------------------------------------------------------------------------------------------------------------	------------------------------------------------------------------------------------------	----------------------------------------------------------------------------------------------------------------------------------------------------------------------------------------------------------------------------------------------------------------------------

Note: Remote driver ordered separately, refer to supplemental driver details sheet for availability

* A standard finish requiring a two step coating process - premium will apply

MOUNTING

DESCRIPTION



- Ø 3-1/2" LED housing with frosted lens
- Aluminum end cap/arm couplers
- Threaded arm tube
- Aluminum arm sleeve
- Ø 4-3/4" wall box mounting plate
- Flat head Philips mounting plate screw